



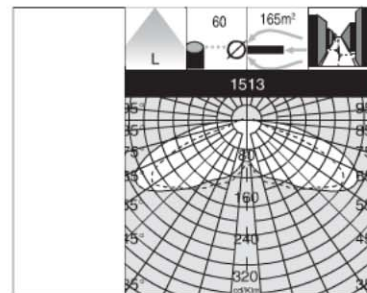
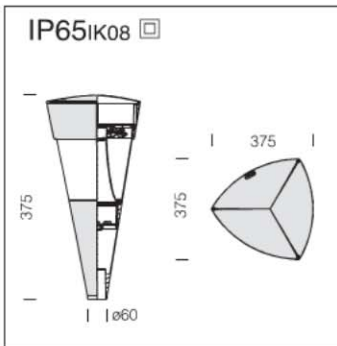
Housing/cover: in vandal-resistant V2 self-extinguishing polycarbonate, UV-stabilized.

Diffuser: in transparent, vandal-resistant and V2 self-extinguishing polycarbonate, UV-stabilized

Equipment: Automatic temperature control device. In the event of an unexpected temperature rise caused by particular weather conditions, the system will reduce the luminous flux to lower the working temperature and guarantee proper operation. Supplied with a safety diode to protect against voltage peaks.

For poles and accessories, see Catalog Disano (www.disano.it)





1513 Torcia - Power LED - COB System						
wattage (1400mA)	colour	CLD CTL		W tot.	K	LED (Ta=65°C)
		weight	code			olm (1400mA)
LED white	s. silver	7.50	423250-00	49W	4000	4000lm - Ra ≥ 80
LED white	graphite	7.50	423251-00	49W	4000	4000lm - Ra ≥ 80