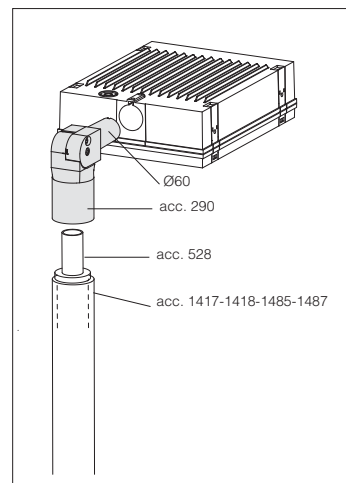
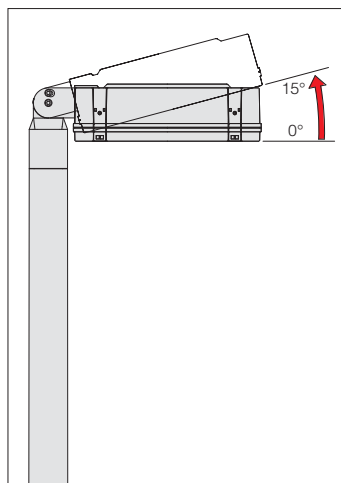
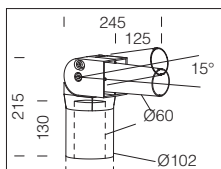




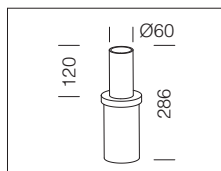
For poles and accessories, see catalogue Disano (www.disano.it)

ACCESSORIES PORDOI

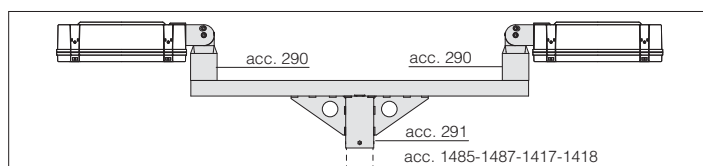
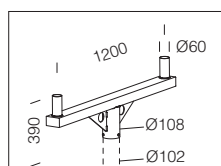
acc. 290 joint	
graphite	991442-00
Always use for application with poles with acc. 1417/18 - 1485/87 (see section on "Poles" catalogue Disano - www.disano.it)	



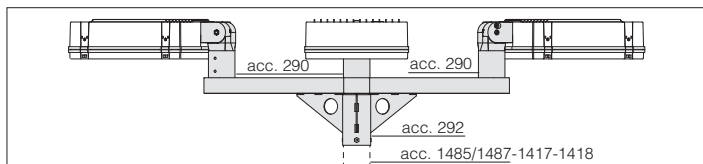
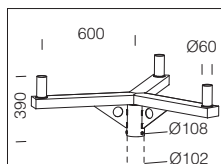
acc. 528 mast-top connection	
graphite	991463-00
In steel. To be used as a mast-top connection	

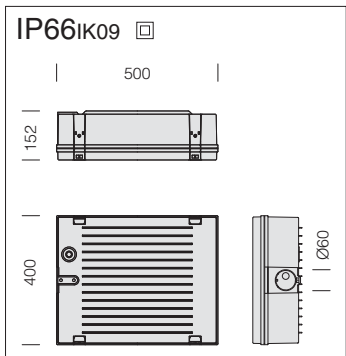


acc. 291 dual arm	
graphite	991444-00
Always use with 2 acc. 290 for mounting on dual arm. We recommend using poles acc. 1485/1487 - 1417/18 (see section on "Poles" catalogue Disano - www.disano.it)	



acc. 292 triple arm	
graphite	991446-00
Always use with 3 acc. 290 for mounting on triple arm. We recommend using poles acc. 1485/1487 - 1417/18 (see section on "Poles" catalogue Disano - www.disano.it)	



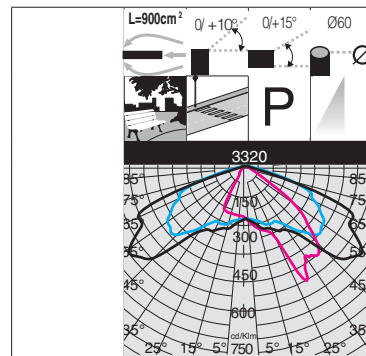


Housing: in die-cast aluminium with latch.

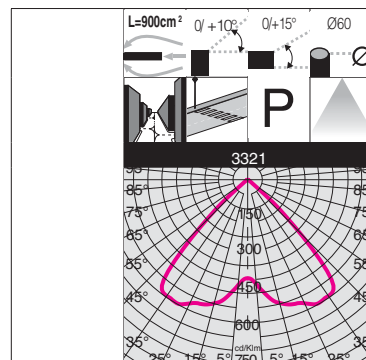
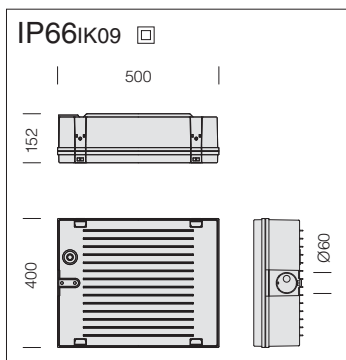
Diffuser: tempered glass, 4 mm thick, resistant to thermal shock and impact (UNI En 12150-1/2001).

Coating: multi-stage process. Stage 1: grey epoxy cationic electrocoating, resistant to corrosion and saline environments. Stage 2: UV-stabilising priming. Stage 3: gray graphite acrylic finishing. White ceramic colour reflector.

Equipment: during maintenance the cover remains locked which prevent accidental closure. Disconnecting switch to interrupt the line during maintenance. Wiring on removable tray with quick connectors for connection to the mains and the lampholder.



3320 - Pordoi 4 - Power LED - street lighting					
		CLD CTL			LED (Ta=25°C)
wattage 530mA	colour	weight	code	W tot	K - ølm 530mA - Ra
1,6W LED	graphite	8.00	328150-00	58W	4000K - 6624lm - Ra>80
1,6W LED	graphite	8.20	328151-00	77W	4000K - 8832lm - Ra>80



3321 - Pordoi 5 - Power LED - wide beam					
		CLD CTL			LED (Ta=25°C)
wattage 530mA	colour	weight	code	W tot	K - ølm 530mA - Ra
1,6W LED	graphite	8.00	328160-00	58W	4000K - 6624lm - Ra>80

