



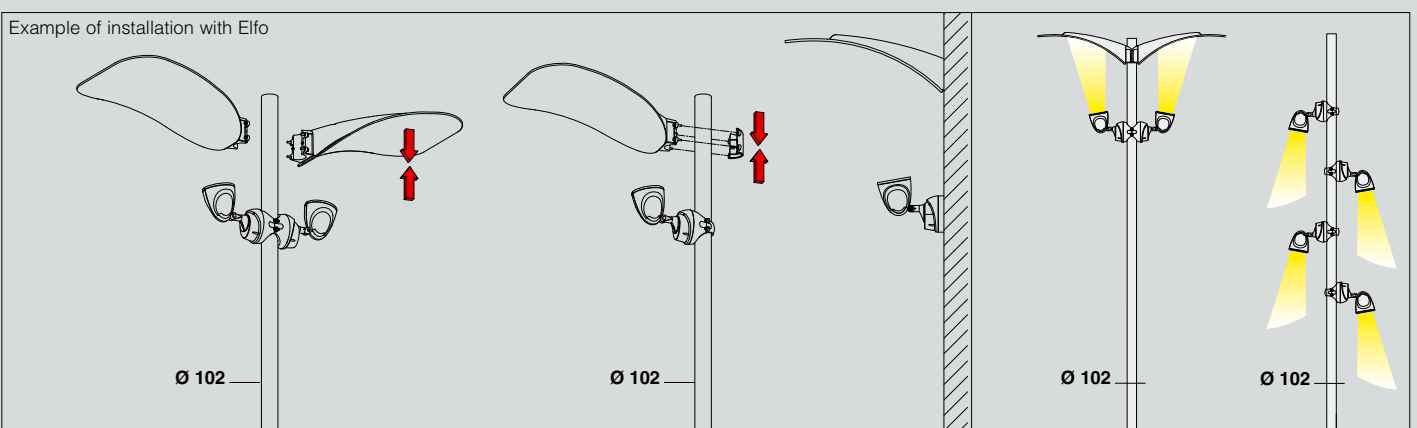
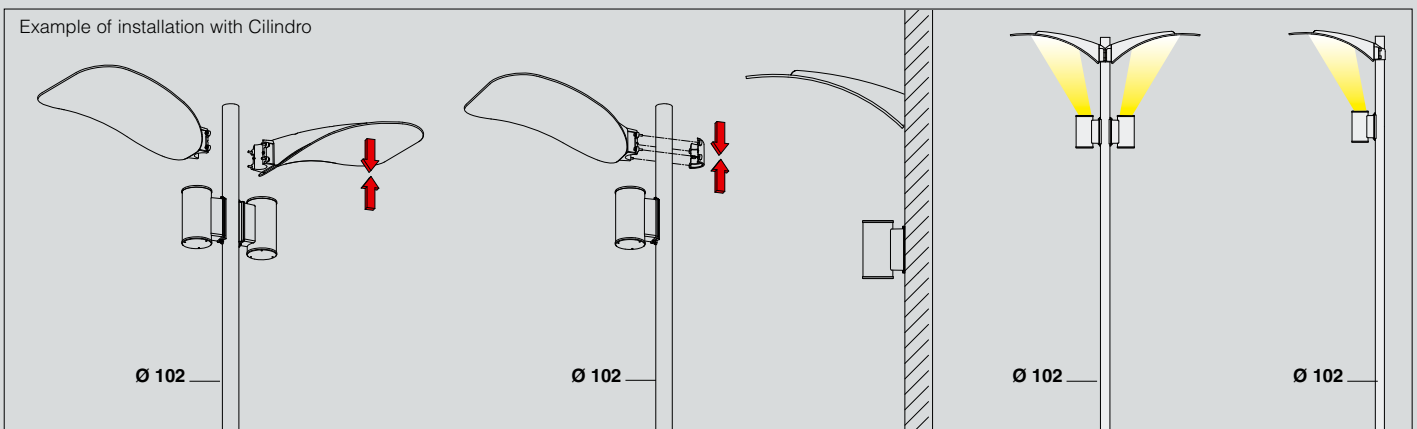
Housing: 6 mm. thick fibreglass reinforced polyester

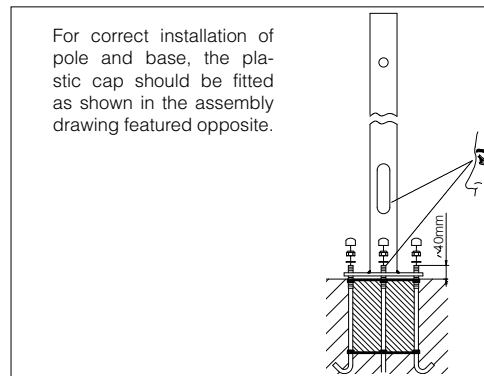
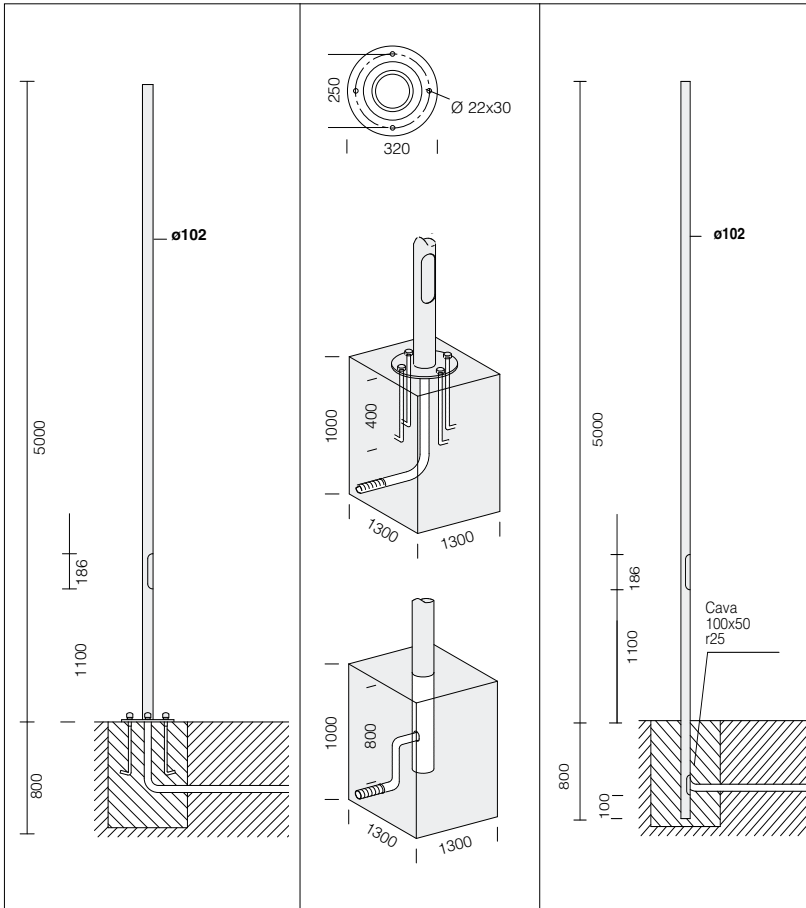
Support: die-cast aluminium with pole connection also made of die-cast aluminium.

Pole designed for Pegaso: \varnothing 102 silver colour steel. Complete with inspection window with removable terminal block. Single or double polyester plate to create indirect lighting effects. To be used mounted directly on the pole together with the fittings of the various products to install Pegaso on the poles - access. 1487/88.

RECOMMENDED FLOODLIGHTS
use of the most appropriate floodlight according to the environment where the installation is recommended.

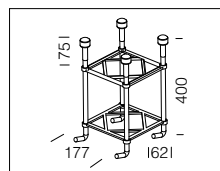
Cilindro
Elfo
LED - Mutanti



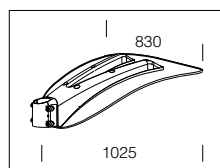
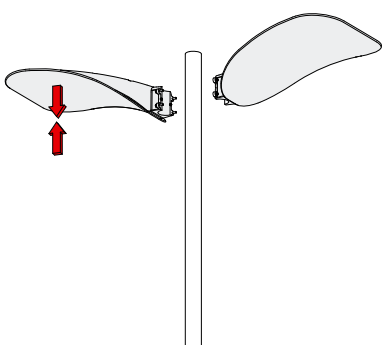


acc. 1485 pole with base	
5000	s. silver 425070-00

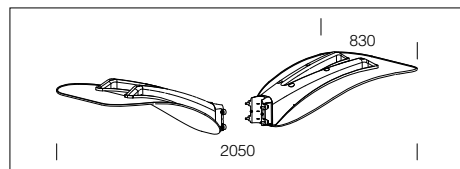
acc. 1487 pole to be buried in the ground	
5000+800	s. silver 425060-00



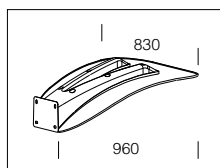
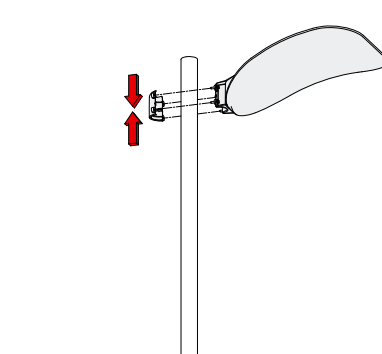
acc. 299 log bolts	
991396-00	
Log bolts are to be always used with the pole 1485.	



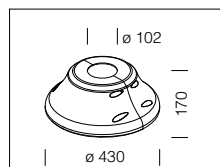
acc. 387 Pegaso single	
s. silver	991391-00
Indirect light plate to be mounted directly on the pole - access.1485/1487.	




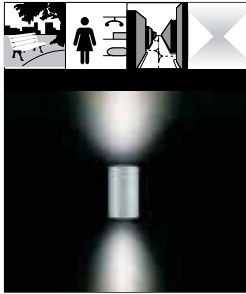
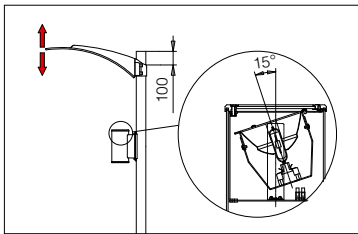
acc. 388 Pegaso double	
s. silver	991392-00
Indirect light plate to be mounted directly on the pole - access.1485/1487.	



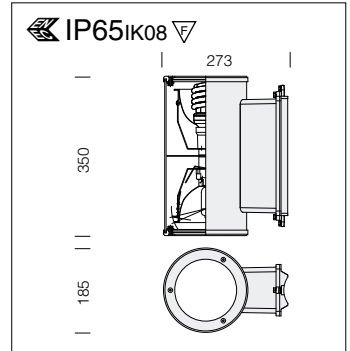
acc. 389 Pegaso wall mount.	
s. silver	991393-00
Indirect light plate to be mounted directly on the wall.	



acc. 222 base pole cover	
s. silver	991399-00
To be used as base pole cover acc. 1492/1494.	

CDM-T...MT G12
FLC-T...FSM G24d-3
FLC/EL...FBT E27


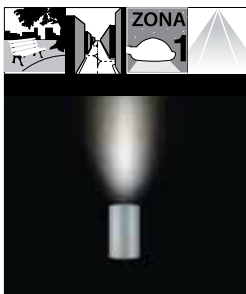
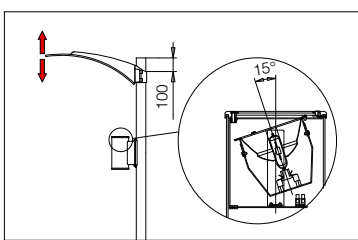


Housing: in die-cast aluminium.
Reflector: in pressed polished alum. Adjustable in direct light version.
Diffuser: in tempered glass 4 mm thermal shock and impact resistant.

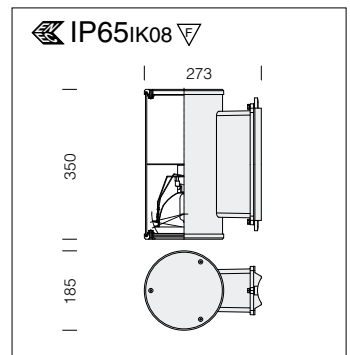
1290 Cilindro 1 - direct/indirect light

		CNRL		CELL		Lamps (Ta=25°C)	
wattage	colour	weight	code	weight	code	Kelvin - ølm - Ra	
CDM-T 70 + FLC 23EL	s. silver	6.00	420415-00			3000K - 6600lm - Ra 1a + 2700K - 1550lm - Ra 1b	
CDM-T 150 + FLC 23EL	s. silver	6.90	420416-00			3000K - 14000lm - Ra 1b + 2700K - 1550lm - Ra 1b	
FLC-26T + FLC-26T	s. silver	6.00	420417-00			4000K - 1800lm - Ra 1b	
CDM-T 2x35	s. silver			5.00	420418-00	3000K - 3300lm - Ra 1a	

Acc. 460 must be used for wall mounting. Double standard switch. **Lamps:** Lamps CDM versions are completed with wide beam directional reflector.

CDM-T...MT G12
FLC-T...FSM G24d-3

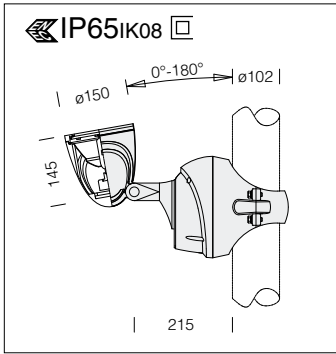


Reflector: in pressed polished alum. Adjustable indirect light version.

1292 Cilindro 3 - direct light

		CNRL		Lamps (Ta=25°C)	
wattage	colour	weight	code	Kelvin - ølm - Ra	
CDM-T 70	s. silver	6.00	420432-00	3000K - 6600lm - Ra 1a	
CDM-T 150	s. silver	6.90	420433-00	3000K - 14000lm - Ra 1b	
FLC 1x26T	s. silver	5.50	420434-00	4000K - 1800lm - Ra 1b	



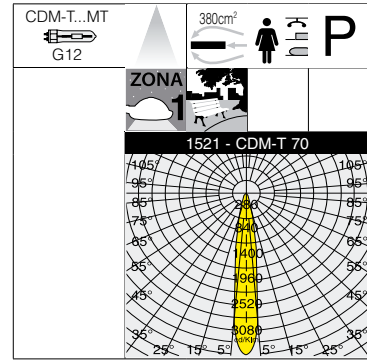


Housing: in die-cast aluminium with wide cooling fins.

Reflector: in turned alum., anodically oxidized and polished with anti-glare reflector.

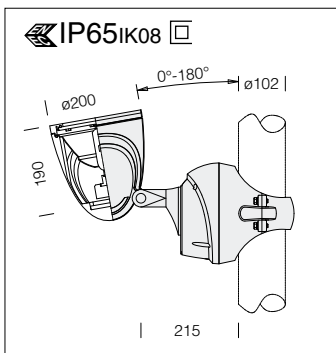
Diffuser: tempered glass 4 mm thermal shock and impacts resistant.

Coating: in several stages. Epoxy cationic electrocoating, grey, resistant to corrosive and saline environments. Second stage: U.V-stabilising primer; final stage rough finish with acrylic coating.

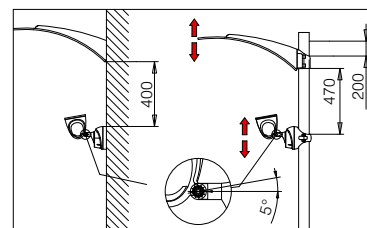
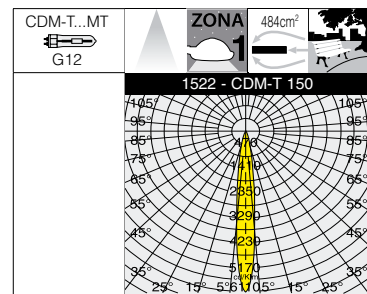


1521 Elfo - wide beam					
		CNRL		Lamps (Ta=25°C)	
wattage	colour	weight	code	Kelvin - ølm - Ra	
CDM-T 70	s. silver	4.00	432030-00	4200K - 6600lm - Ra 1a	

For pole installation acc. 1487/1488.

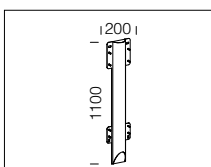
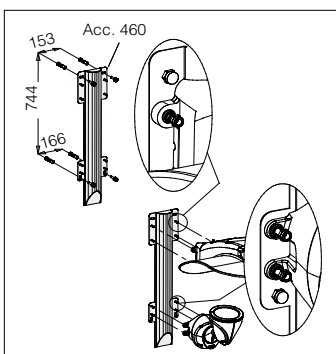


Elfo is adjustable in any position.



1522 Elfo - wide beam					
		CNRL		Lamps (Ta=25°C)	
wattage	colour	weight	code	Kelvin - ølm - Ra	
CDM-T 150	s. silver	6.50	433030-00	4200K - 12700lm - Ra 1a	

For pole installation acc. 1487/1488.



acc. 460 wall mounting	
s. silver	991398-00
Wall mounting for Pegaso plus Elfo.	

