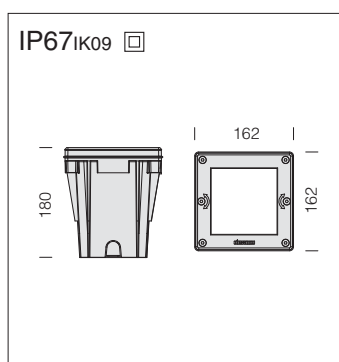




On request: different colour version.



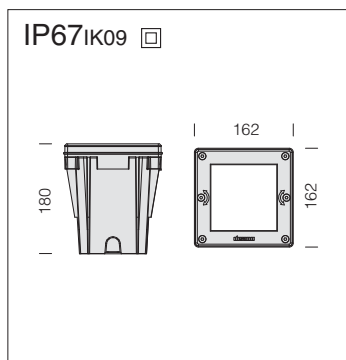
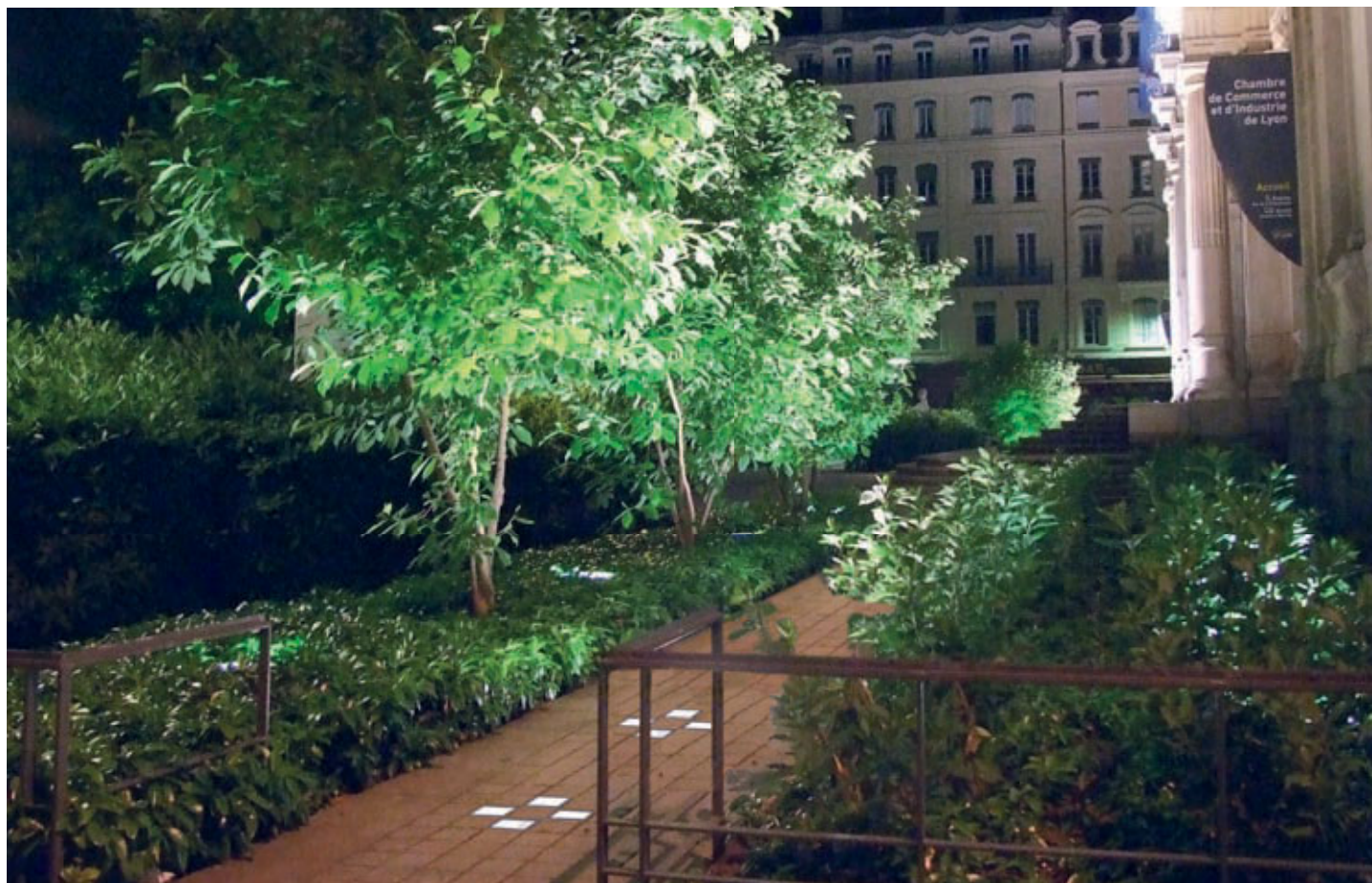
Housing: made of nylon.
Frame: in AISI 304 stainless steel.
Outer casing: nylon outer casing.
Diffuser: tempered glass, 12mm thick, resistant to thermal shock, and mechanical stress up to 2000 Kg.

1822 Miniquadro - LED

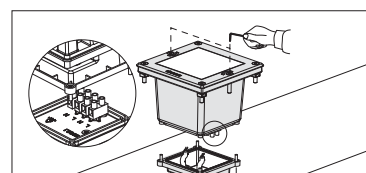
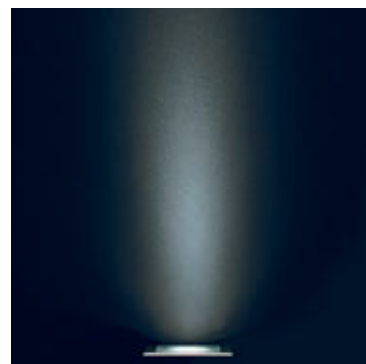
| | | CLD CTL | | temperature and load | | | | | | LED (Ta=25°C) |
|---------------------|--------|---------|-----------|----------------------|-----------------|--------|----------|------------------|------------------------|---------------|
| wattage (24V) | colour | weight | code | W tot | T. max on glass | | max load | can be walked on | can bear vehicle loads | K - ølm 24V |
| | | | | | ta 25° | ta 15° | | | | |
| 3W LED white | inox | 1.70 | 530420-00 | 3W | 30° | 20° | 2000 | OK | OK | 4000K - 135lm |

Incorporated power supply 220-240V 50/60 Hz.





Housing: made of nylon.
Frame: in AISI 304 stainless steel.
Outer casing: nylon outer casing.
Diffuser: tempered glass, 12mm thick, resistant to thermal shock, and mechanical stress up to 2000 Kg.



| 1823 - Miniquadro adjustable | | | | | | | | | | |
|------------------------------|--------|---------|-----------|-------|----------------------|--------|----------|------------------|------------------------|----------------|
| | | CLD CTL | | | temperature and load | | | | LED (Ta=25°C) | |
| wattage (350 mA) | colour | weight | code | W tot | T. max on glass | | max load | can be walked on | can bear vehicle loads | K - ølm 350mA |
| | | | | | ta 25° | ta 15° | | | | |
| 13W LED white | inox | 1.70 | 530425-00 | 13W | 30° | 20° | 2000 | OK | OK | 4000K - 1000lm |

Incorporated power supply 220-240V 50/60 Hz.

