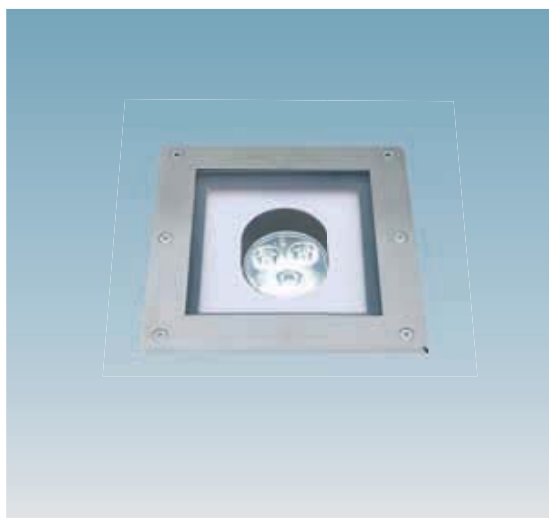
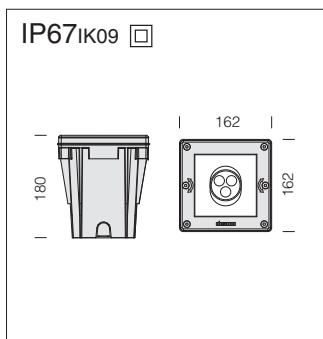


Housing: made of nylon.
Frame: in AISI 304 stainless steel.
Outer casing: nylon outer casing.
Diffuser: tempered glass, 12mm thick, resistant to thermal shock. and mechanical stress up to 2000 Kg.

1822 Miniquadro LED

| wattage (24V) | colour | CLD CTL | | | W tot. | temperature and load | | | | | LED (Ta=25°C) | |
|----------------|--------|---------|-----------|--|--------|----------------------|--------|-------------|------------------|---------------------|---------------|---------|
| | | weight | code | | | T. max on glass | | Kg max load | can be walked on | bears vehicle loads | K | ølm 24V |
| | | | | | | ta 25° | ta 15° | | | | | |
| 3x1W LED white | inox | 1.80 | 530420-00 | | 9 W | 30° | 20° | 2000 | OK | OK | 4000 | 135lm |
| 3x1W LED blue | inox | 1.80 | 530420-71 | | 9 W | 30° | 20° | 2000 | OK | OK | | 27lm |
| 3x1W LED red | inox | 1.80 | 530420-72 | | 9 W | 30° | 20° | 2000 | OK | OK | | 36lm |
| 3W LED yellow | inox | 1.80 | 530420-73 | | 9 W | 30° | 20° | 2000 | OK | OK | | 45lm |
| 3x1W LED green | inox | 1.80 | 530420-74 | | 9 W | 30° | 20° | 2000 | OK | OK | | 63lm |

Incorporated power supply 220-240V 50/60 Hz.



Housing: made of nylon.
Frame: in AISI 304 stainless steel.
Outer casing: nylon outer casing.
Diffuser: tempered glass, 12mm thick, resistant to thermal shock. and mechanical stress up to 2000 Kg.

1823 - Miniquadro Power LED - adjustable

| wattage (350 mA) | colour | CLD CTL | | | W tot. | T. max on glass | | Kg max load | can be walked on | bears vehicle loads | LED (Ta=25°C) | |
|------------------|--------|---------|-----------|------------|--------|-----------------|--------|-------------|------------------|---------------------|---------------|-----------|
| | | weight | code | beam angle | | ta 25° | ta 15° | | | | K | ølm 350mA |
| 3,5W LED white | inox | 1.80 | 530425-00 | 20° | 3,5 W | 35° | 20° | 2000 | OK | OK | 4000 | 262lm |

On request: beam angle 8° or 40°.
 Incorporated power supply 220-240V 50/60 Hz.

