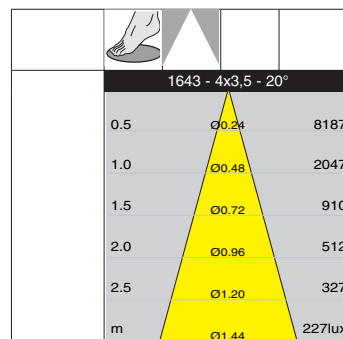
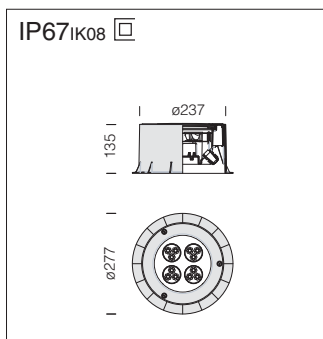


**Housing:** fibreglass aluminium.  
**Frame:** made of stainless steel AISI 316.  
**Diffuser:** Smooth, clear tempered glass protection, thickness 5 mm, resistant to thermal shock and impact.

1643 Minifloor - LED										
		CLD CTL		W tot	temperature and load			LED (Ta=25°C)		
wattage (24V)	colour	weight	code		Max T. on glass		max kg load	can be walked on	K	ølm 24V
					ta 25°	ta 15°				
2W LED bianco	stainless steel	2.50	530745-00	6W	40°	30°	2000	OK	4000	220lm

Coloured LED lights available upon request.  
 220-240V 50/60 Hz power supply.



**Housing:** fibreglass nylon with AISI 316.  
**Diffuser:** impact and thermal shock resistant tempered glass.

1643 Minifloor - Power LED											
		CLD CTL		Beam angle	W tot	temperature and load			LED (Ta=25°C)		
wattage	colour	weight	code			max temp. on glass		max load kg	can be walked on	K	ølm
						ta 25°	ta 15°				
3,5W LED white	stainless steel	2.50	530748-00	20°	14W	40°	30°	1000	OK	4000	928lm
3,5W LED blue	stainless steel	2.50	530748-71	20°	14W	40°	30°	1000	OK		248lm
3,3W LED red	stainless steel	2.50	530748-72	20°	14W	40°	30°	1000	OK		320lm
3,3W LED yellow	stainless steel	2.50	530748-73	20°	14W	40°	30°	1000	OK		320lm
3,5W LED green	stainless steel	2.50	530748-74	20°	14W	40°	30°	1000	OK		720lm

Upon request, 8° or 40° beam aperture, and other colour temperatures.  
 220-240V 50/60 Hz with built-in ballast.