



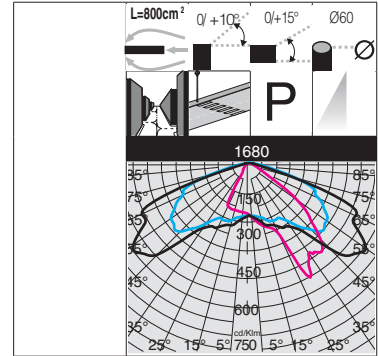
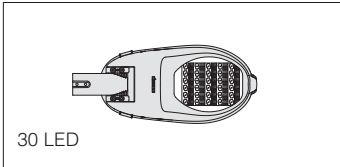
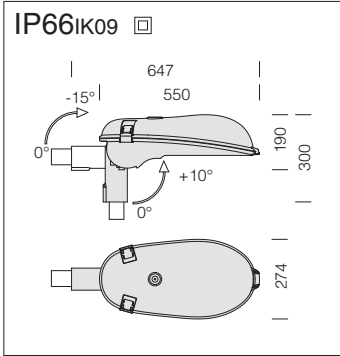
Housing: in die-cast aluminium.

Optics: in metallized polycarbonate.

Cover: in die-cast aluminium, tool-free hinge opening. With sealing latches and stainless steel safety device against accidental closure.

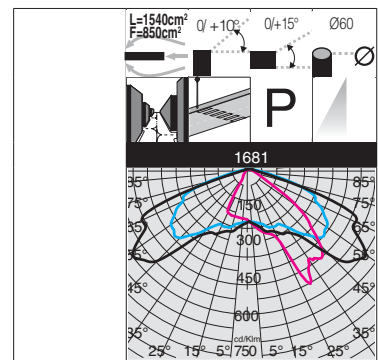
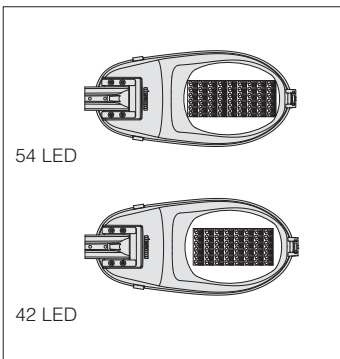
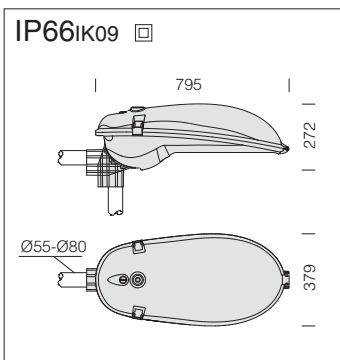
Diffuser: tempered glass, 5 mm thick, resistant to thermal shock and impacts (UNI EN 12150-1:2001 tests)





1680 - MiniBrera 1 - Power LED - street lighting

		CLD CTL		LED (Ta=25°C)	
wattage 530mA	colour	weight	code	W tot	K - ølm 530mA - Ra
1W LED	graphite	5.40	325350-00	48W	4000K-5520lm-Ra>80



1681 - Brera 1 - Power LED - street lighting

		CLD CTL		LED (Ta=25°C)	
wattage 530mA	colour	weight	code	W tot	K - ølm 530mA - Ra
1W LED	graphite	12.70	325370-00	67W	4000K-7728lm-Ra>80
1W LED	graphite	12.70	325371-00	86W	4000K-9360lm-Ra>80