

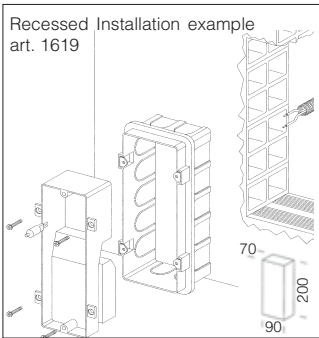
**Housing/Frame:** in die-cast aluminium.

**Diffuser:** tempered glass, resistant to thermal shock and impact.

**Working life:** 50000h (from -30° to +50° C - Ta=25°C).

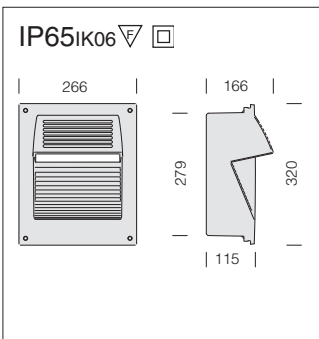


Light beam example



1619 Mini - Power LED rectangle wall version							
		CLD CTL			LED (Ta=25°C)		
wattage (350mA)	colour	weight	code	Beam angle	W tot	K	ølm 350mA
1,15W LED white	m. silver	0.50	530675-00	20°	1,15W	4000	87.4lm
1,15W LED blue	m. silver	0.50	530675-71	20°	1,15W		23.5lm
1,1W LED red	m. silver	0.50	530675-72	20°	1,1W		30.6lm
1,1W LED yellow	m. silver	0.50	530675-73	20°	1,1W		30.6lm
1,15W LED green	m. silver	0.50	530675-74	20°	1,15W		67.2lm

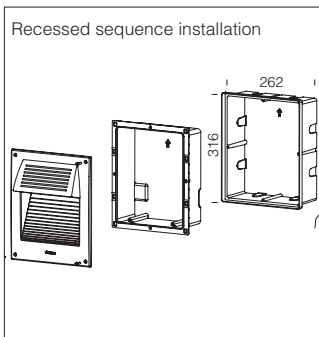
Incorporated power supply 220-240V 50/60 Hz.



**Housing:** in fibreglass nylon, UV stabilized.

**Front frame:** in die-cast aluminium.

**Working life:** 40000h (from -30° to +50° C - Ta=25°C).



1629 - Fonte with LED strip						
		CLD CTL			LED (Ta=25°C)	
wattage (150mA)	colour	weight	code	W tot	K	ølm 150mA
8W LED white	s. silver	3.20	431752-00	8W	4000	480lm

Incorporated power supply 220-240V 50/60 Hz.