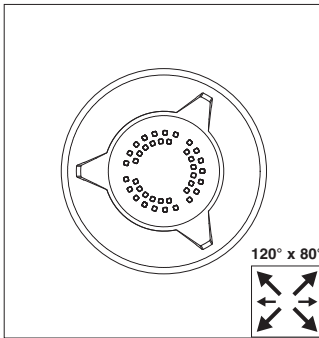
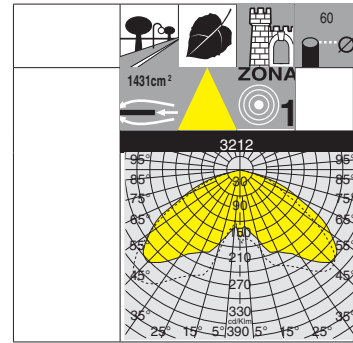
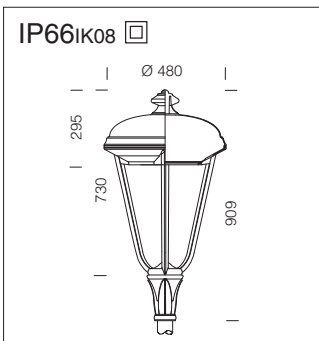


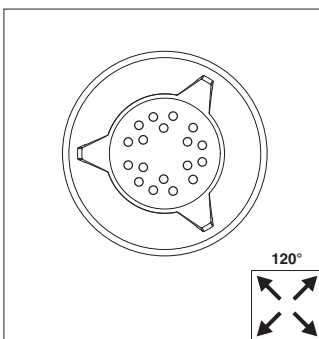
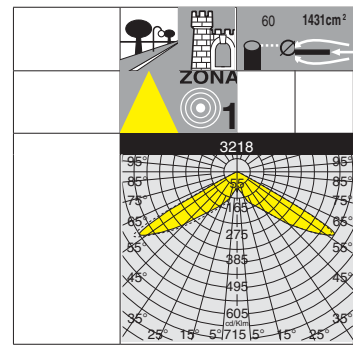
Diffuser: Tempered glass, 5 mm thick, withstands thermal shock and impacts.



3212 Lucerna R - White Power LED							
		CLD CTL			LED (Ta=25°)		
wattage (24V)	colour	weight	code	Beam angle	W tot	K	ølm 350mA
1,2 W LED white	anthracite	9.80	326970-00	120° x 80°	50W	4000	3783lm
Elliptical lenses with 120° x 80°. On request: 3000K.							



Diffuser: Tempered glass, 5 mm thick, withstands thermal shock and impacts.



3218 Lucerna Rb - White Power LED							
		CLD CTL			LED (Ta=25°)		
wattage (525mA)	colour	weight	code	Beam angle	W tot	K	ølm 525mA
1,8 W LED white	anthracite	9.80	326978-00	120°	33W	4100	2160lm
1,8 W LED white	anthracite	9.80	326979-00	120°	33W	3100	2160lm
With spherical lenses from 120° degrees.							