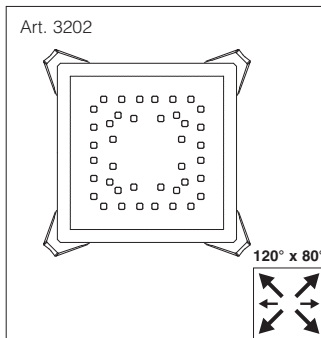
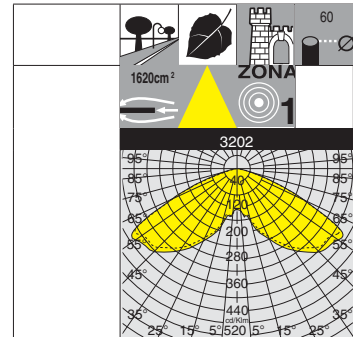
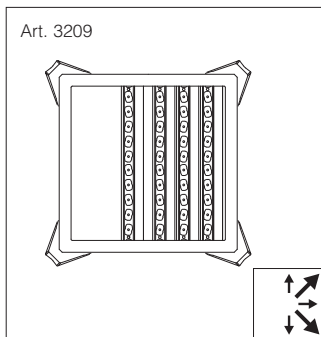
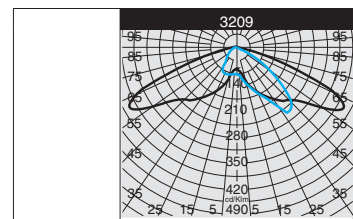
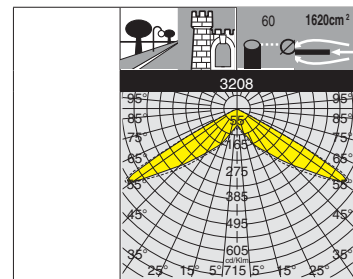
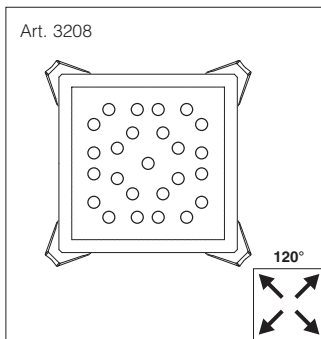


Diffuser: Tempered glass, 5 mm thick, withstands thermal shock and impacts.



3202 Lucerna Q - White Power LED							
		CLD CTL			LED (Ta=25°)		
wattage (24V)	colour	weight	code	Beam angle	W tot	K	ølm 350mA
1,2 W LED white	anthracite	11.00	326920-00	120° x 80°	50W	4000	3880lm
Elliptical lenses with 120° x 80°. On request: 3000K.							



3208 Lucerna Qb - White Power LED							
		CLD CTL			LED (Ta=25°)		
wattage (525mA)	colour	weight	code	Beam angle	W tot	K	ølm 525mA
1,8 W LED white	anthracite	11.00	326948-00	120°	45W	4100	3000lm
1,8 W LED white	anthracite	11.00	326949-00	120°	45W	3100	3000lm
With spherical lenses from 120°.							

3209 Lucerna Q8 - White Power LED							
		CLD CTL			LED (Ta=25°)		
wattage (24V)	colour	weight	code	W tot	K	ølm 350mA	
1,2 W LED white	anthracite	11.00	327215-00	57,6W	4000	4656lm	
220-240V 50/60 Hz with built-in ballast.							