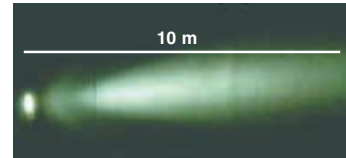


Housing/Frame: die-cast aluminium with cooling fins.
Diffuser: impact and thermal shock resistant tempered 5mm thick glass.
Working life: 50000h (from -30° to +50° C - Ta=25°C).

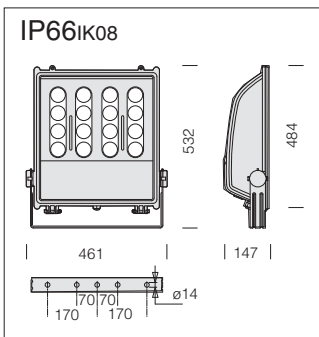


Luminous beam



1144 Litio - Power LED							
		CLD CTL			LED (Ta=25°C)		
wattage (350mA)	colore	weight	code	beam angle	W tot	K	ølm 350mA
3,5W LED white	graphite	6.90	313368-00	20°	17,5W	4000	1310lm
3,5W LED blue	graphite	6.90	313368-71	20°	17,5W		353lm
3,3W LED red	graphite	6.90	313368-72	20°	17,5W		459lm
3,3W LED yellow	graphite	6.90	313368-73	20°	17,5W		459lm
3,5W LED green	graphite	6.90	313368-74	20°	17,5W		1010lm

On request: beam angle 6° and 40°
 Incorporated power supply 220-240V 50/60 Hz.



Housing: complete with graphite aluminium frame with die-cast aluminium end caps.
Diffuser: impact and thermal shock resistant tempered 4mm thick glass. (UNI 7142 tests, British Standard 3193).
Working life: 50000h (from -30° to +50° C - Ta=25°C).



1155 Indio - Power LED							
		CLD CTL			LED (Ta=25°C)		
wattage (350mA)	colour	weight	code	beam angle	W tot	K	ølm 350mA
3,5W LED white	graphite	10.40	413820-00	20°	56W	6000	4800lm
3,5W LED blue	graphite	10.40	413820-71	20°	56W		1128lm
3,3W LED red	graphite	10.40	413820-72	20°	56W		1469lm
3,3W LED yellow	graphite	10.40	413820-73	20°	56W		1469lm
3,5W LED green	graphite	10.40	413820-74	20°	56W		3232lm

LED support adjustable. On request: beam angle 6° and 40°.
 Incorporated power supply 220-240V 50/60 Hz.