



Housing: injection moulded, vandal resistant, self-extinguishing, UV stabilised RAL 7035 grey polycarbonate, high mechanical resistance thanks to the stiffening ribs inside the structure.

Diffuser: injection moulded V2 self-extinguishing, UV stabilised clear polycarbonate, prismatic inside for better light control. The smooth outside finishing facilitates cleaning, essential to ensure maximum lighting efficiency at all times.

Equipment: plug connector

Standard steel mounting bracket: Enables quick and easy installation of the fixture to ceiling surfaces.

Standard spring loop: Allows quick connection to any chain suspension system.

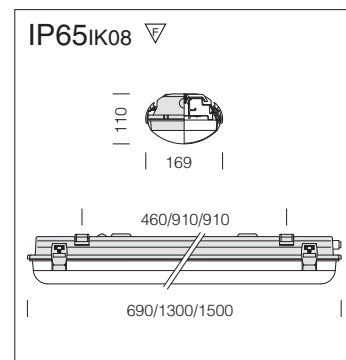


927

95° 85° 75° 65° 55° 45° 35°

350 280 210 140 70

25° 15° 5° 5° 15° 25°



"Assembled and "ready to use" lighting fitting; complete with plug connector and LED. **To buy separately socket connector (acc. 372).**

On request: High performance version



927 Echo - LED							
		CLD CTL			CLD CTL-E	W tot	LED (Ta=25°C)
wattage (116mA)	colour	weight	L	code	code		K - ølm 116mA - Ra
LED white	grey	1.10	690	164697-00	164697-07	25W	4000K - 2740lm - Ra80
LED white	grey	2.10	1300	164698-00	164698-07	44W	4000K - 4800lm - Ra80
LED white	grey	3.10	1500	164694-00	164694-07	59W	4000K - 6400lm - Ra80

Version	Power supply	Dimension	Lux	System Power tot.	pcs.	P. tot	Energy saving CNR	Energy saving CLD and CEL
927	CLD	40x20m h 3,5m	300	58W	65	3770W	42%	31%
FL 2x58	CEL	40x20m h 3,5m	324	110W	50	5500W		
FL 2x58	CNR	40x20m h 3,5m	324	134W	50	6700W		

acc. 372 quick connector socket
 grey | 998042-00
 Always to be used for continuous line. Cable gland with inlet cable 16A min. ø 9 max ø12 mm. **10 per pack.**

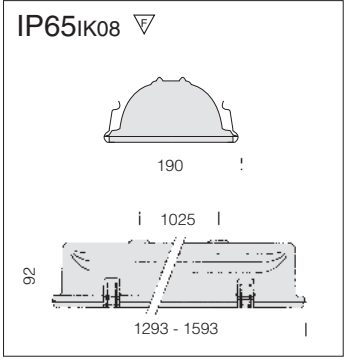
Housing: made of pressed steel, drawn in a single piece for high mechanical resistance. Supplied with frame.

Diffuser: impact-resistant tempered glass.

Coating: polyester powder for better resistance to corrosion and saline environment.

Equipment: supplied standard with a connector and brackets for wall / suspension attachment.

On request:
-Emergency unit.



ACC. 372 quick connector socket
grey 998042-00
Always to be used for continuous line.
Cable gland with inlet cable 16A min.
ø 9 max ø12 mm. **10 per pack.**

995 Forma - LED						
		CLD CTL			LED (Ta=25°C)	
wattage (116mA)	colour	weight	L	code	W tot	K - ølm 116mA - Ra
LED white	s. silver	2.00	1293	162445-00	44W	4000K - 4800lm - Ra80
LED white	s. silver	2.50	1593	162446-00	59W	4000K - 6400lm - Ra80