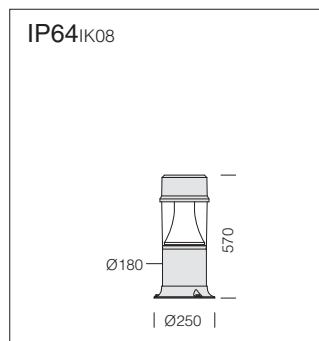
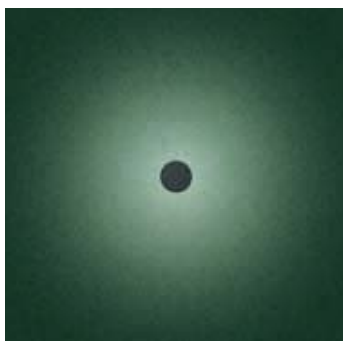
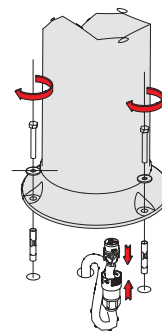


Housing: in extruded aluminium, cylindrical section.

Standard supply: complete with base and log bolts.

Working life: 40000h (from -30° to +50° C - Ta=25°C).

1798 - Faro 4 - LED						
		CLD CTL			LED (Ta=25°C)	
wattage (110mA)	color	weight	code	W tot	K	ølm 110mA
Led white	graphite	7.10	511025-00	10W	4000	600lm
Incorporated power supply 220-240V 50/60 Hz.						

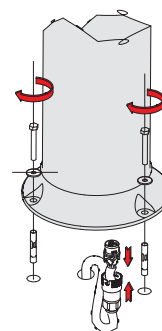


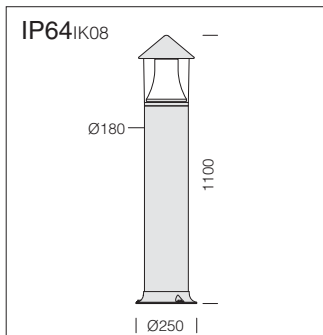
Housing: in extruded aluminium, cylindrical section.

Standard supply: complete with base and log bolts.

Working life: 40,000h (from -30° to +50° C - Ta=25°C).

1799 - Faro 4 - LED						
		CLD CTL			LED (Ta=25°C)	
wattage (110mA)	color	weight	code	W tot	K	ølm 110mA
Led white	graphite	4.80	511015-00	10W	4000	600lm
Incorporated power supply 220-240V 50/60 Hz.						

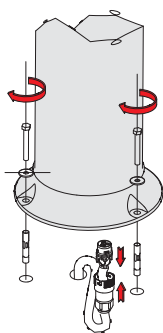




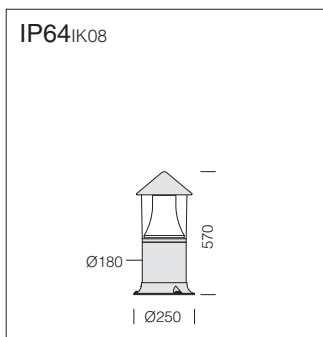
Housing: in extruded aluminium, cylindrical section.

Standard supply: complete with base and log bolts.

Working life: 40,000h (from -30° to +50° C - Ta=25°C).



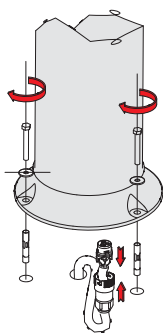
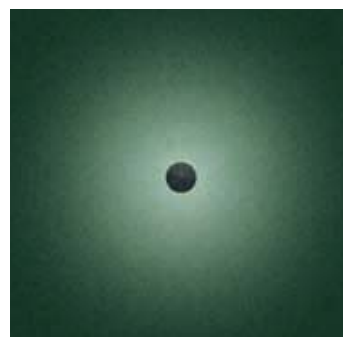
1796 - Faro 3 - LED						
		CLD CTL		W tot	LED (Ta=25°C)	
wattage (110mA)	color	weight	code		K	olm 110mA
Led White	grafite	7.10	510025-00	10W	4000	600lm
Incorporated power supply 220-240V 50/60 Hz.						



Housing: in extruded aluminium, cylindrical section.

Standard supply: complete with base and log bolts.

Working life: 40,000h (from -30° to +50° C - Ta=25°C).



1797 - Faro 3 - LED						
		CLD CTL		W tot	LED (Ta=25°C)	
wattage (110mA)	color	weight	code		K	olm 110mA
Led white	grafhite	4.80	510015-00	10W	4000	600lm
Incorporated power supply 220-240V 50/60 Hz.						