

Housing/Frame: die-cast aluminium with cooling fins.

Diffuser: tempered shock and heat resistant 4mm thick glass.

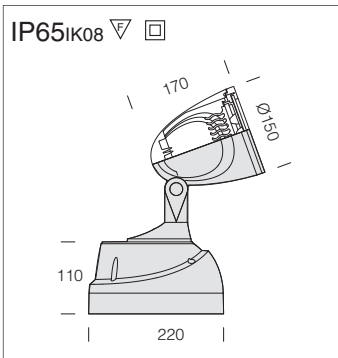


1515 Elfo Power LED - COB System - wide beam - Ra 80

		CLD CTL		W tot	LED (Ta=15°C)	LED (Ta=25°C)
wattage	colour	weight	code		K - ølm 1400mA	K - ølm 1050mA
49W LED white	s. silver	2.60	422390-00	49W	4000K - 4000lm	
49W LED white	graphite	2.60	422391-00			
31W LED white	s. silver	2.60	422392-00	31W		4000K - 2500lm
31W LED white	graphite	2.60	422393-00			

1564 Elfo Power LED - COB System - narrow beam - Ra 80

		CLD CTL		W tot	LED (Ta=15°C)	LED (Ta=25°C)
wattage	colour	weight	code		K - ølm 1400mA	K - ølm 1050mA
49W LED white	s. silver	2.60	422394-00	49W	4000K - 4000lm	
49W LED white	graphite	2.60	422395-00			
31W LED white	s. silver	2.60	422396-00	31W		4000K - 2500lm
31W LED white	graphite	2.60	422397-00			



DMX inside



Housing/Frame: die-cast aluminium with cooling fins.

Diffuser: tempered shock and heat resistant 4mm thick glass.

acc. 116 corner support	
black	991332-00
In fibreglass nylon. To install Elfo on a corner.	

1539 Elfo - ESALED Fullcolour RGB						
		CLD CTL			LED (Ta=25°C)	
wattage (350mA)	colour	weight	code	Beam angle	W tot	ølm 350mA
ESALED Fullcolor	s. silver	3.60	432834-00	60°	14W	R=35 - G=57 - B=13

acc. 119 spike	
black	991335-00
In fiber glass nylon. For planting Elfo into the ground.	

IP65 box for DMX control	
white	986557-00
DMX controller with internal memory IP 65 VERSION (stand-alone function). It enables to operate DMX interfaces and integrated DMX controlled lighting fixtures. Option to save settings internally. PC connection through USB port during the programming phase using a dedicated software (included in the kit).	

DOP Controller	
986563-00	
DMX controller for installation in standard recessed box, 503. One dmx channel + 4 channels, 1-10V. Option to save settings internally. Monochrome display screen and on-board operation without the use of a PC.	