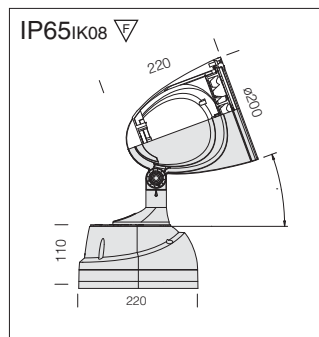
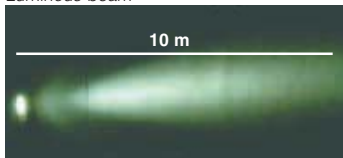






Luminous beam



Housing/Frame: die-cast aluminium with cooling fins.

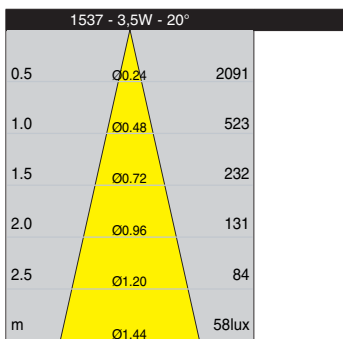
Diffuser: tempered shock and heat resistant 4mm thick glass.

Working life: 50000h (from -30° to +50° C - Ta=25°C).

1526 Elfo - Power LED

		CLD CTL			LED (Ta=25°C)		
wattage (350mA)	colour	weight	code	Beam angle	W tot	K	ølm 350mA
3,5W LED white	s. silver	3.60	432822-00	20°	21W	4000	1572lm
3,5W LED white	graphite	3.60	432823-00	20°	21W	4000	1572lm
3,5W LED blue	s. silver	3.60	432822-71	20°	21W		423lm
3,3W LED red	s. silver	3.60	432822-72	20°	21W		550,8lm
3,3W LED yellow	s. silver	3.60	432822-73	20°	21W		550,8lm
3,5W LED green	s. silver	3.60	432822-74	20°	21W		1212lm
3,5W LED blue	graphite	3.60	432823-71	20°	21W		423lm
3,3W LED red	graphite	3.60	432823-72	20°	21W		550,8lm
3,3W LED yellow	graphite	3.60	432823-73	20°	21W		550,8lm
3,5W LED green	graphite	3.60	432823-74	20°	21W		1212lm

220-240V 50/60 Hz and two built-in ballasts.



Housing/Frame: die-cast aluminium with cooling fins.

Diffuser: Frosted and printed glass. Complete with transformer.

Working life: 50000h (from -30° to +50° C - Ta=25°C).

	W	I max	duration
ALU 35W	35-20°	500cd	2000h
MasterLED	3-25°	550cd	25000h

1537 Koala - Power LED/Masterled 230V

		CLD CTL			LED (Ta=25°C)		
wattage (350mA)	color	weight	code	Beam angle	W tot	K	ølm 350mA
3,5W LED white	m. silver	1.50	431816-00	20°	3,5W	4000	262lm
3,5W LED white	graphite	1.50	431817-00	20°	3,5W	4000	262lm
3,5W LED white	m. silver	1.50	431818-00	20°	3,5W	3000	231lm
3,5W LED white	graphite	1.50	431819-00	20°	3,5W	3000	231lm
MasterLED white	m. silver	1.50	431808-00	25°	3W	3000	550cd-230V
MasterLED white	graphite	1.50	431809-00	25°	3W	3000	550cd-230V

On request: 8° e 40° beam angle.
Incorporated power supply 220-240V 50/60 Hz.