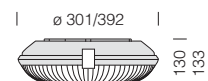
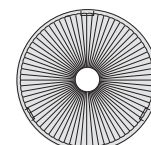


IP65IK08



**Housing:** vandal resistant, self-extinguishing, UV-stabilised, anti-yellowing grey polycarbonate.

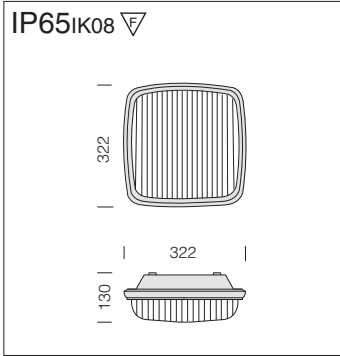
**Diffuser:** vandal resistant, V2 self-extinguishing, UV-stabilised clear polycarbonate, anti-glare matt inside; smooth, dust-proof outside.

**741 Oblò LED - small**

		CLD CTL		W tot	LED (Ta=25°C)
wattage	colour	weight	code		Kelvin - ølm - Ra
<b>LED white</b>	grey	0.80	112625-00	<b>16W</b>	4000K - 1300lm - Ra80

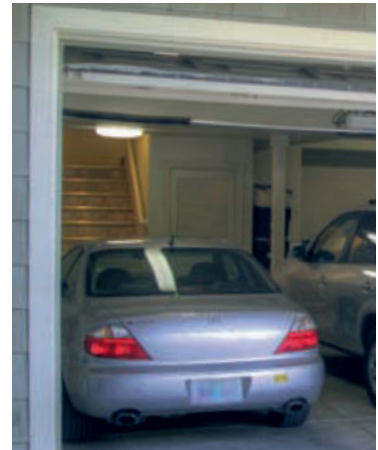
**742 Oblò LED - medium**

		CLD CTL		W tot	LED (Ta=25°C)
wattage	colour	peso	codice		Kelvin - ølm - Ra
<b>LED white</b>	grey	1.90	112635-00	<b>20W</b>	4000K - 1750lm - Ra80

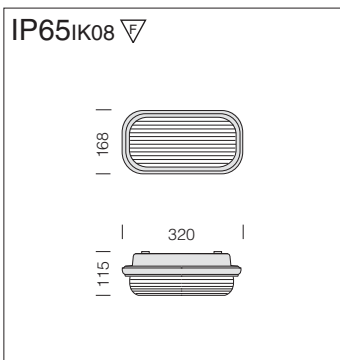


**Housing:** vandal resistant, self-extinguishing, UV-stabilised anti-yellowing polycarbonate.

**Diffuser:** vandal resistant, V2 self-extinguishing, UV-stabilised anti-glare polycarbonate; dustproof, smooth outside.



1845 Cubo LED					
		CLD CTL		W tot	LED (Ta=25°C)
wattage	colour	weight	code		Kelvin - ølm
LED white	grey	1.50	427445-00	9W	4000K - 1000lm - Ra80



**Housing:** vandal resistant, self-extinguishing, UV-stabilised anti-yellowing polycarbonate.

**Diffuser:** vandal resistant, V2 self-extinguishing, UV-stabilised anti-glare polycarbonate; dustproof.



1847 Orma LED					
		CLD CTL		W tot	LED (Ta=25°C)
wattage	colour	weight	code		Kelvin - ølm
LED white	grey	1.50	427542-00	9W	4000K - 1000lm - Ra80