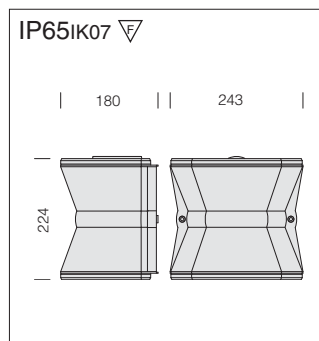
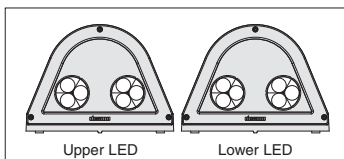


**Housing:** die-cast aluminium.  
**Diffuser:** tempered shock and heat resistant glass.  
**Working life:** 50000h (from -30° to +50° C - Ta=25°C).

**1550 Clessidra 4 - Power LED direct + indirect**

wattage (350mA)	colour	CLD CTL		Lower Beam angle	Upper Beam angle	W tot	LED	
		weight	code				K	ølm 350mA
3,5W LED white	s. silver	5.50	420590-00	20°	8°	14W	4000	4 x 262lm
3,5W LED white	graphite	5.50	420592-00	20°	8°	14W	4000	4 x 262lm
3,5W LED blue	s. silver	5.50	420590-71	20°	8°	14W		4 x 70.5lm
3,3W LED red	s. silver	5.50	420590-72	20°	8°	14W		4 x 91.8lm
3,3W LED yellow	s. silver	5.50	420590-73	20°	8°	14W		4 x 91.8lm
3,5W LED green	s. silver	5.50	420590-74	20°	8°	14W		4 x 202lm

Supplied with 1 triple lens module in the upper part, and 3 triple lens modules in the lower part.  
**Total flux:** 786lm + 262lm  
 Incorporated power supply 220-240V 50/60 Hz.



**Housing:** die-cast aluminium.  
**Diffuser:** tempered shock and heat resistant glass.  
**Working life:** 50000h (from -30° to +50° C - Ta=25°C).

**1554 Clessidra 5 - LED direct + indirect**

wattage	colour	CLD CTL		Lower Beam	Upper Beam	W tot	LED	
		weight	code				K	ølm 350mA
2x3,5W upp. + 2x3,5W low.	graphite	5.50	420591-00	20°	20°	14W	4000	2 x 524lm
2x3,5W upp. + 2x3,5W low.	silver	5.50	420591-00	20°	20°	14W	4000	2 x 524lm

Supplied with 2 triple lens module in the upper part, and 2 triple lens modules in the lower part.  
**Total flux:** 1048lm  
 On request: Clessidra 5 Power LED RGB with DMX control.  
 Incorporated power supply 220-240V 50/60 Hz.