

Housing: die-cast aluminium.
Diffuser: tempered shock and heat resistant 4 thick glass.
LED reflector: beam adjustable.
Working life: 50000h (from -30° to +50° C - Ta=25°C).

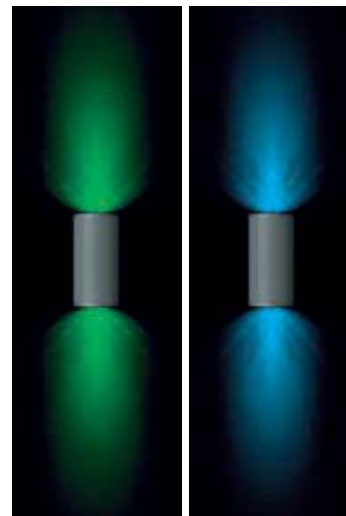
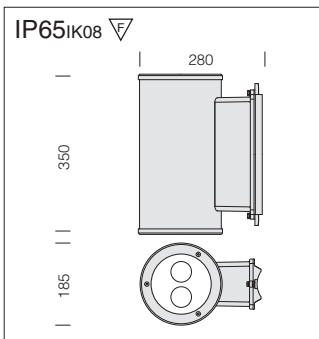


Cilindro is suitable for lighting façades at night or in residential areas to improve visibility and safety.



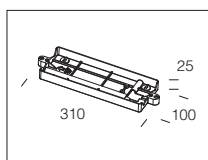
1293 Cilindro 4 - Power LED

		CLD CTL					LED (Ta=25°C)	
wattage (350mA)	color	weight	code	W tot	Lower Beam angle	Upper Beam angle	K	ølm 350mA
3x3,5W sup. + 3x3,5W inf.	arg. sab.	6.90	420410-00	21W	25°	25°	6000	2 x 600lm
Supplied with 3 triple lens modules in the upper part, and 3 triple lens modules in the lower part. Total flux: 1200lm Incorporated power supply 220-240V 50/60 Hz.								



1288 Cilindro Power LED RGB

		CLD CTL					LED (Ta=25°C)	
wattage (350mA)	color	weight	code	W tot	Lower Beam angle	Upper Beam angle	ølm 350mA	
2x3,8W sup. + 2x3,8W inf.	arg. sab.	6.90	420411-00	4 x 3,8W	40°	40°	R=40x2 - G=50x2 - B=18x2	
Upon request, version equipped with DMX wiring. Supplied with 1 module and power supply, Master and receiver. Incorporated power supply 220-240V 50/60 Hz.								



acc. 401 wall mounting	
s. silver	420450-00
For Cilindro.	



acc. 65 Remote Control for LED RGB	
nero	986507-00
On-off function, mixing and colour transition.	