



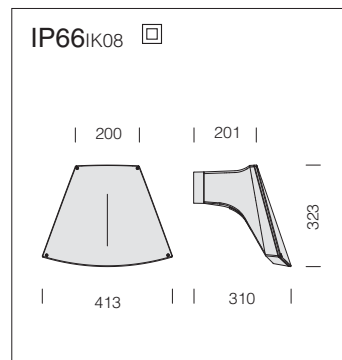
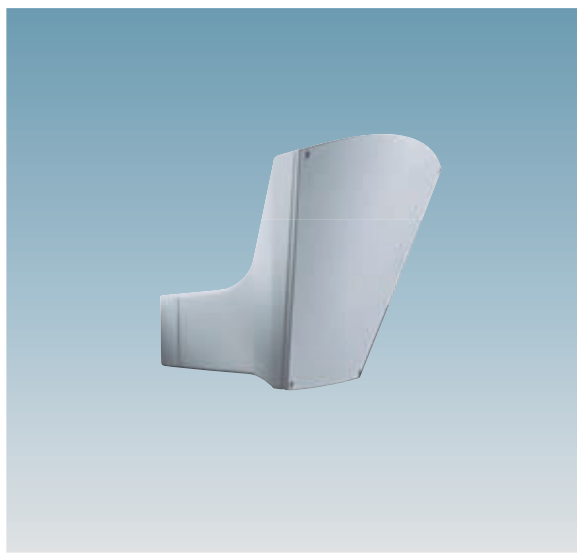
Housing/Base: in die-cast aluminium.

Column: in extruded aluminium.

Reflector: in cast aluminium, matt-finished and polished.

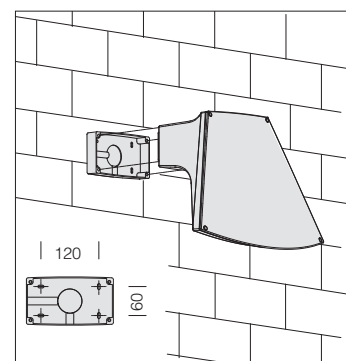
Diffuser: in opal, V2 polycarbonate, shatterproof and self-extinguishing, UV-stabilised.

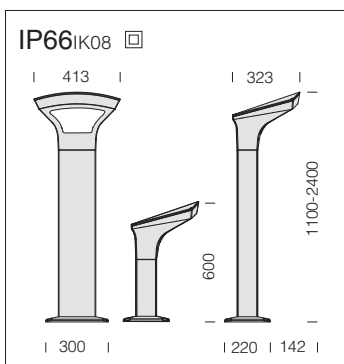
Standard supply: the column version is equipped with anchors and socket-plug connector for quick installation.



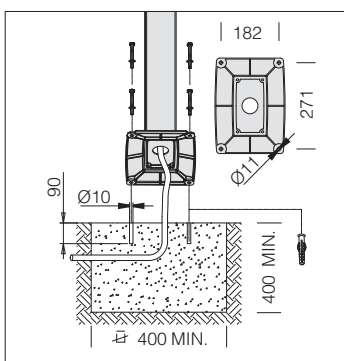
Standard supply: the wall version comes with mounting connection.

1841 Bitta 2 wall version - LED					
		CLD CTL		W tot	LED (Ta=25°C)
wattage (110mA)	colour	weight	code		K - ølm 110mA
0,3W LED white	s. silver	3,20	511440-00	10W	4000K - 600lm
0,3W LED white	graphite	3,20	511441-00	10W	
0,3W LED white	anthracite	3,20	511442-00	10W	
0,3W LED white	corten	3,20	511440-2191	10W	





Complete with an extruded aluminium column and die-cast aluminium base. Supplied with long bolts for ground installation.



		1840 Bitta 1- LED				
		CLD CTL			LED (Ta=25°C)	
wattage (110mA)	colour	weight	code	h	W tot	K - ølm 110mA
0,3W LED white	s. silver	6.20	511430-00	600	10W	4000K - 600lm
0,3W LED white	graphite	6.20	511432-00			
0,3W LED white	anthracite	6.20	511433-00			
0,3W LED white	corten	6.20	511430-2191			
0,3W LED white	s. silver	8.20	511435-00	1100	10W	4000K - 600lm
0,3W LED white	graphite	8.20	511436-00			
0,3W LED white	anthracite	8.20	511437-00			
0,3W LED white	corten	8.20	511435-2191			
1W LED white	s. silver	13.00	511443-00	2400	24W	(350 mA) 4000K - 3120lm
1W LED white	graphite	13.00	511444-00			
1W LED white	anthracite	13.00	511445-00			
1W LED white	corten	13.00	511443-2191			