

Housing/cover: die-cast aluminum.

Diffuser: impressed plexiglass.

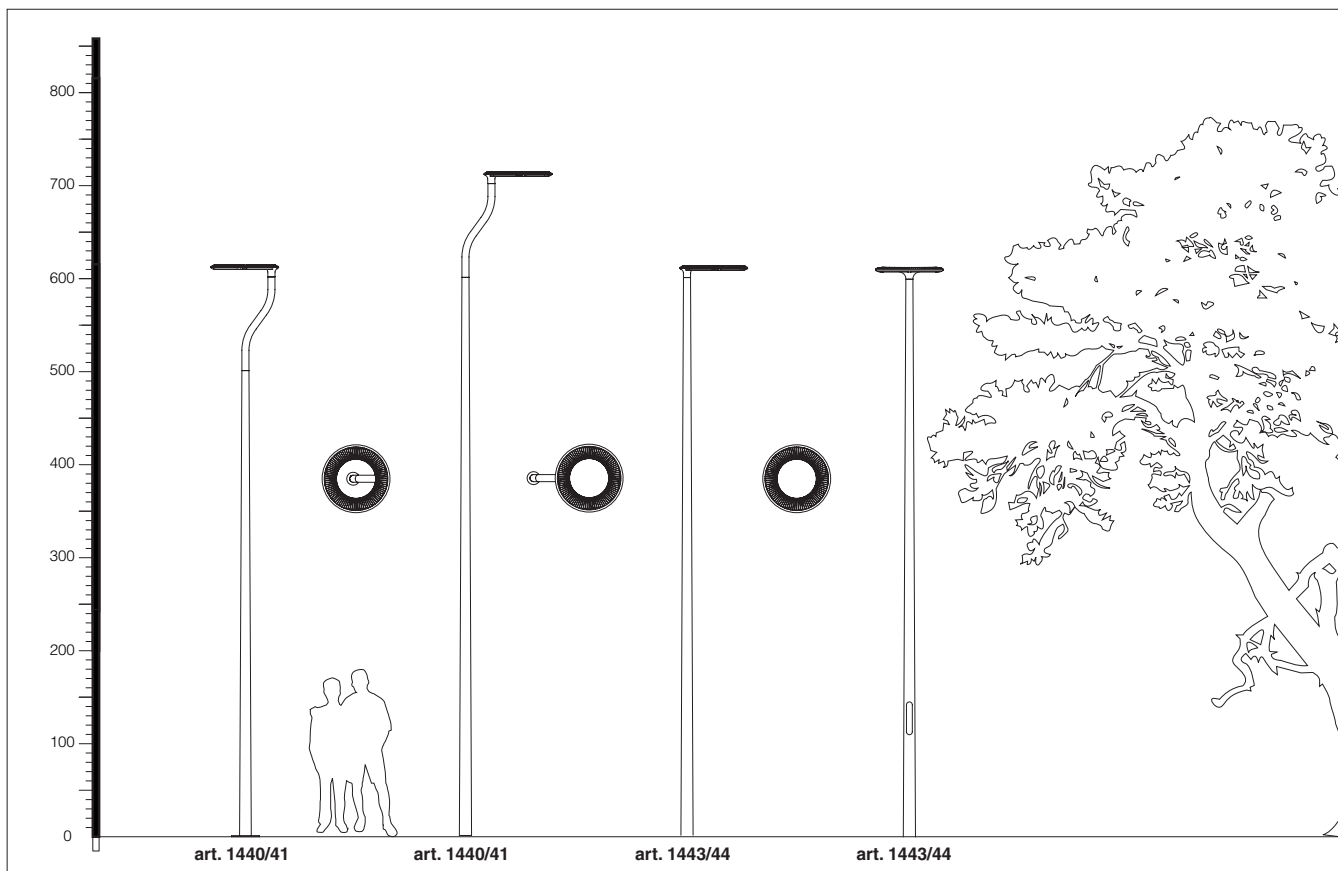
Coating: in different stages. Grey epoxy cationic electro-coating, resistant to corrosive and saline environments. Second stage: UV stabilized priming using acrylic ecologic paint, rough finish.

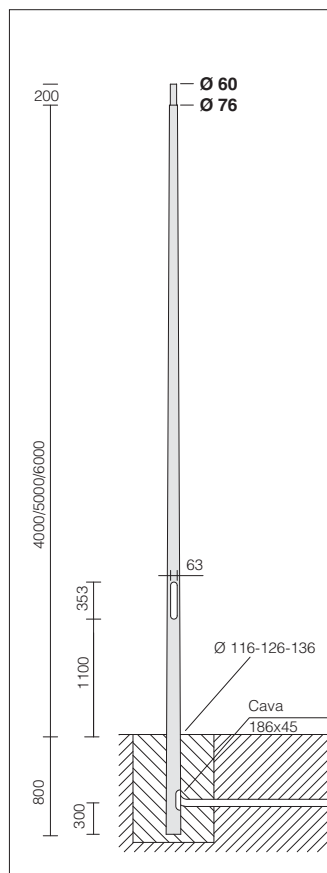
Equipment: complete with socket-plug. Automatic temperature control device. In case of over-temperature due to abnormal environmental conditions, it reduces operating temperature, thereby guaranteeing operation. Resistant to voltage peaks through protection diode.

Equipment: Wiring plate, class 2 to insert inside the pole.

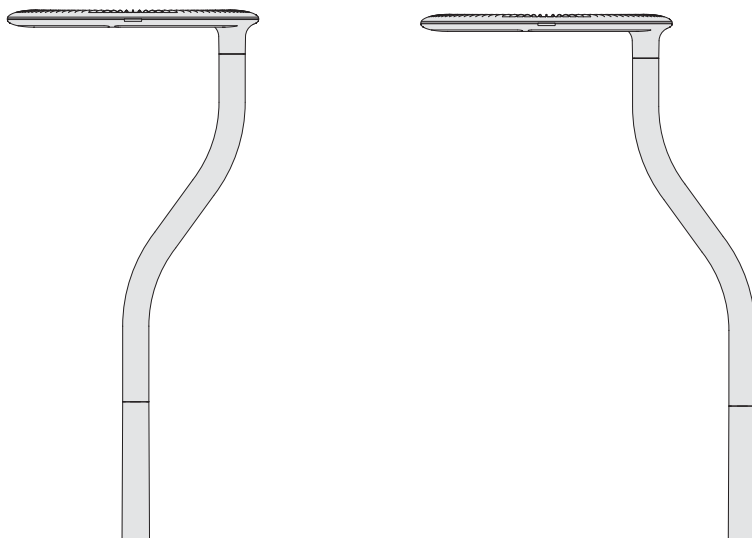
1786 Aura Power LED						
		CLD CTL		LED (Ta=25°C)		
wattage (500mA)	colour	weight	code	W tot	K	ølm 500mA
1,6W LED white	s. silver	6.00	423270-00	70,4W	4000	5104lm
1,6W LED white	s. silver	6.00	423275-00	70,4W	4000	6820lm
1,6W LED white	graphite	6.00	423271-00	70,4W	4000	5104lm
1,6W LED white	graphite	6.00	423276-00	70,4W	4000	6820lm

Incorporated power supply 220-240V 50/60 Hz.



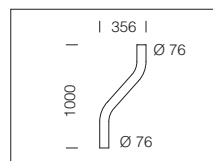
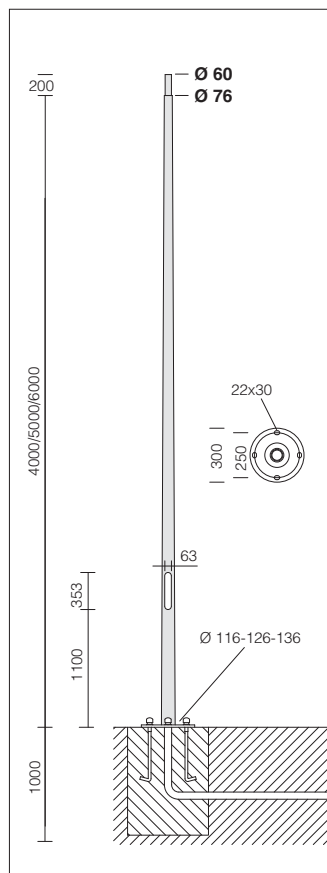


Poles and arms made of galvanized and painted steel. Equipped with hole for supply cable input, with pole-head attack $\varnothing 65$ for arm acc. 513. Inspection window with removable terminal box 4 poles/3 ways 6 mm² and by-pass 4 mm², equipped with fuse 10A. For the version with basis you need to buy 4 coach screws to put into the earth, nut and bolts and plugs.



acc. 1441 - Steel cone-shaped to be buried for acc. 513

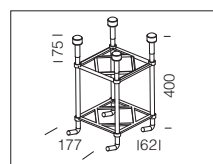
colour	code								
silver	425260-00	4800	4000						$\varnothing 116$
silver	425261-00	5800	5000						$\varnothing 126$
silver	425262-00	6800	6000	800	1100	353	63		$\varnothing 136$
graphite	425263-00	4800	4000						$\varnothing 116$
graphite	426264-00	5800	5000						$\varnothing 126$
graphite	426265-00	6800	6000						$\varnothing 136$



acc. 513 arm

s. silver	991290-00
graphite	991291-00

Arm for Aura poles acc. 1440-1441.



acc. 299 log bolts

991396-00

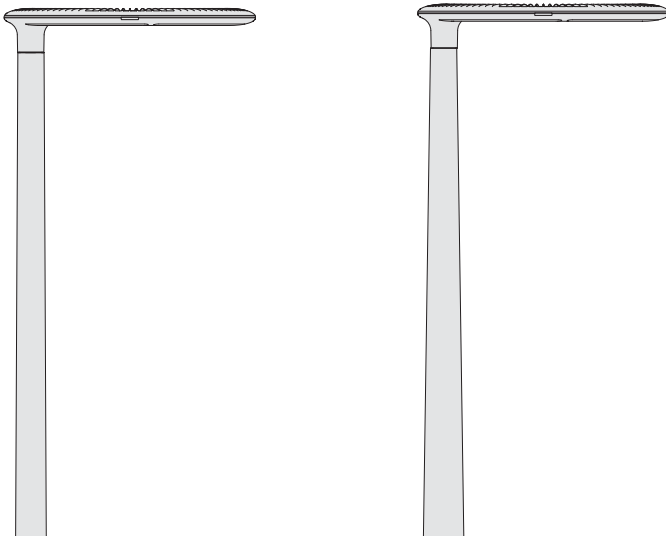
Log bolts are to be always bought with the pole 1440.



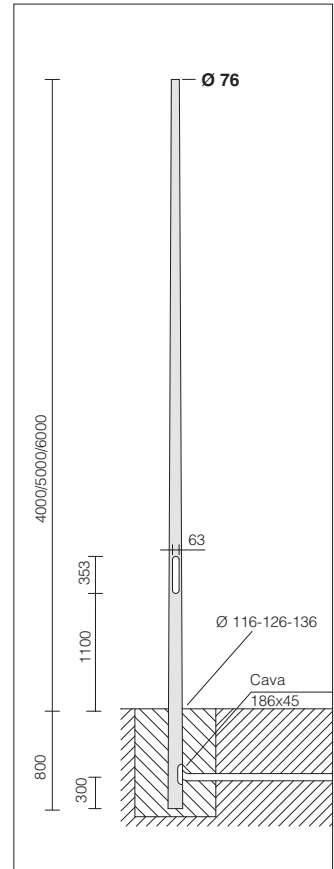
On request: inspection window with LED (blue).

acc. 1440 - Steel cone-shaped with base for acc. 513

colour	code								
silver	425270-00	4000							$\varnothing 116$
silver	425271-00	5000							$\varnothing 126$
silver	425272-00	6000	1100	353	63				$\varnothing 136$
graphite	425273-00	4000							$\varnothing 116$
graphite	426274-00	5000							$\varnothing 126$
graphite	426275-00	6000							$\varnothing 136$



Poles and arms made of galvanized and painted steel. Equipped with hole for supply cable input, with pole-head attack $\varnothing 65$ for arm acc. 513. Inspection window with removable terminal box 4 poles/3 ways 6 mm² and by-pass 4 mm², equipped with fuse 10A. For the version with basis you need to buy 4 coach screws to put into the earth, nut and bolts and plugs.

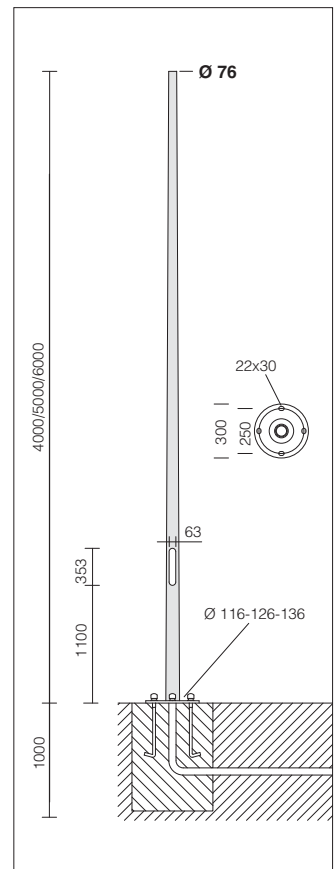
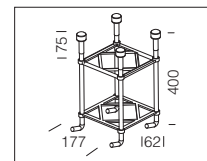


acc. 1444 - Steel cone-shaped to be buried									
colour	code								\varnothing
silver	425300-00	4800	4000	800	1100	353	63	$\varnothing 76$	$\varnothing 116$
silver	425301-00	5800	5000						$\varnothing 126$
silver	425302-00	6800	6000						$\varnothing 136$
graphite	425303-00	4800	4000						$\varnothing 116$
graphite	425304-00	5800	5000						$\varnothing 126$
graphite	425305-00	6800	6000						$\varnothing 136$



On request: inspection window with LED (blue).

acc. 299 log bolts	
991396-00	
Log bolts are to be always bought with the pole 1443.	



acc. 1443 - Steel cone-shaped with base									
colour	code					\varnothing	\varnothing		
silver	425290-00	4000	1100	353	63	$\varnothing 76$	$\varnothing 300$	$\varnothing 116$	
silver	425291-00	5000						$\varnothing 126$	
silver	425292-00	6000						$\varnothing 136$	
graphite	425293-00	4000						$\varnothing 116$	
graphite	425294-00	5000						$\varnothing 126$	
graphite	425295-00	6000						$\varnothing 136$	