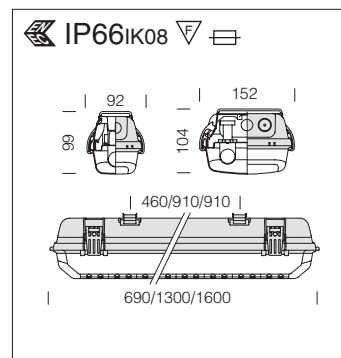
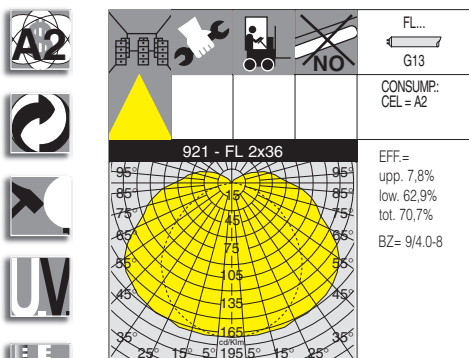


Guarantees a good level of energy saving with a conventional ballast. (losses B2: 18W = max 8W, 36W = max 7 W, 58W = max 9W).

On request: supplied with knife switch installed, excluded the 1x18 and 2x18 version.

A special version can be installed in areas with temperatures of -30°C (ex. refrigerators). To be used with extreme polar lamps (supplied separately). Price upon request. **FL 1x36** 164511-00009431
FL 1x58 164512-00009431
FL 2x36 164514-00009431
FL 2x58 164515-00009431

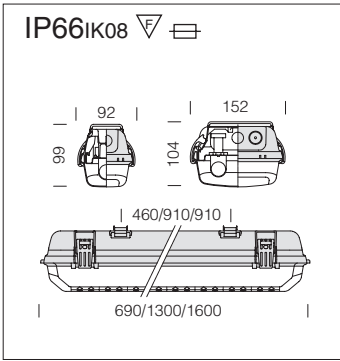
920 Hydro T8			
wattage	colour	CNR-F	
		weight	code
FL 1x18	grey	1.40	164510-00
FL 1x36	grey	2.10	164511-00
FL 1x58	grey	2.80	164512-00
FL 2x18	grey	1.80	164513-00
FL 2x36	grey	3.40	164514-00
FL 2x58	grey	4.50	164515-00



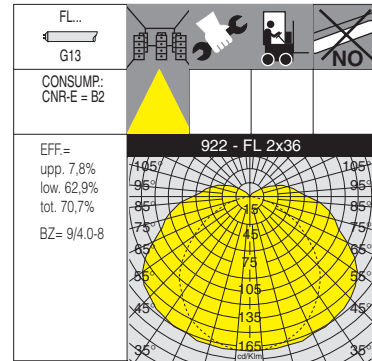
The electronic power supply unit provides approximately 22% energy saving compared with standard units, overvoltage resistance, short circuit protection, flicker-free ignition, no stroboscopic effect, noise-free operation.

On request: supplied with knife switch installed, excluded the 1x18 and 2x18 version.

921 Hydro T8 - electronic			
wattage	colour	CEL-F	
		weight	code
FL 1x18	grey	1.40	164530-00
FL 1x36	grey	1.90	164531-00
FL 1x58	grey	2.20	164532-00
FL 2x18	grey	1.80	164533-00
FL 2x36	grey	2.40	164534-00
FL 2x58	grey	3.90	164535-00



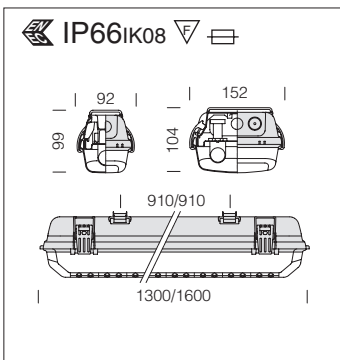
With a 60-minute run time emergency kit. In the event of a black-out the lamp connected to the back-up circuit stays on. When power is restored the battery recharges.



On request: supplied with knife switch installed, excluded the 1x18 and 2x18 version and versions with 3 hour emergency duration.

922 Hydro T8 - emergency					
		CNR-E		Self-diagnosis	
wattage	colour	weight	code	weight	code
FL 1x18 •	grey	2.10	164580-00	2.10	164580-0066
FL 1x36	grey	2.70	164581-00	2.70	164581-0066
FL 1x58	grey	3.40	164582-00	3.40	164582-0066
FL 2x18	grey	2.50	164583-00	2.50	164583-0066
FL 2x36	grey	3.90	164584-00	3.90	164584-0066
FL 2x58	grey	5.00	164585-00	5.00	164585-0066

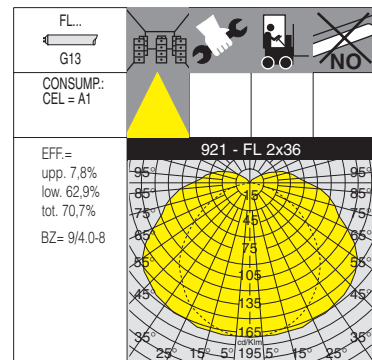
• Version FL1x18: can only be assembled on a two-lamp housing.



With electronic-dimmable control gear.

On request: versions with DIM 1-10V wiring (dimmable 1-10V), DIMDIG (digital dimming). Also available in the EM version.

THE SAVINGS IS YOUR!



921 Hydro T8 - electronic DIMM					
		CELF-DH			
wattage	colour	weight	code		
FL 1x36	grey	1.90	164531-51		
FL 1x58	grey	1.90	164532-51		
FL 2x36	grey	2.40	164534-51		
FL 2x58	grey	3.90	164535-51		



FLUORESCENT
WATER-PROOF

