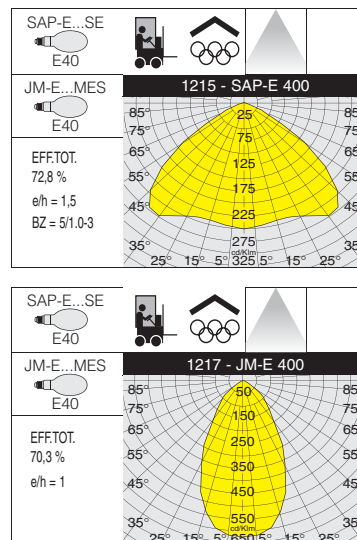
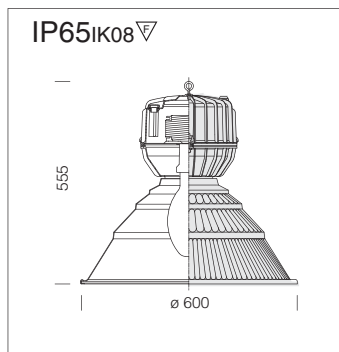
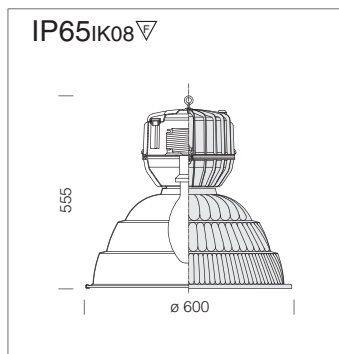


ATEX certification by a third party IMQ 09 ATEX 033



Housing: very low magnesium content die-cast aluminium alloy.

Reflector: 99.85 pressed aluminium, anodized (3µ thick) and polished for high luminous efficiency.

Diffuser: 5mm thick tempered glass, resistant to impact and thermal shock.

Ballast: all ballasts are equipped with heat protection.

Internal wiring: flexible silicone cable with fibreglass braid, cross section 1sqmm, with admiralty brass connection clamps.

Coating: black polyester powder, resistant to corrosive and saline environments.

Gaskets: all the gaskets are retained and made of silicone rubber resistant to low and high temperatures.

Cable gland: impact resistant, for environments at risk of explosion according to CEI EN 50014 with working temperatures ranging between -20°C and +70°C.

1215 Photon - wide beam with glass					
wattage	CNRL			classification ATEX	Lamps (Ta=25°C) Kelvin - ølm - Ra
	weight	code			
JM-E 250	10.20	322222-00		Ex tD A 22 T95°C	4500K - 18000lm - Ra 2b
JM-E 400	11.20	322226-00		Ex tD A 22 T110°C	4500K - 32500lm - Ra 2b
SAP-E 250	10.20	322223-00		Ex tD A 22 T95°C	2000K - 31200lm - Ra 4
SAP-E 400	11.20	322225-00		Ex tD A 22 T110°C	2000K - 54000lm - Ra 4

99.85 aluminium wide beam reflector.

1217 Photon - narrow beam with glass					
wattage	CNRL			classification ATEX	Lamps (Ta=25°C) Kelvin - ølm - Ra
	weight	code			
JM-E 250	10.20	322422-00		Ex tD A 22 T95°C	4500K - 18000lm - Ra 2b
JM-E 400	11.20	322426-00		Ex tD A 22 T110°C	4500K - 32500lm - Ra 2b
SAP-E 250	10.20	322423-00		Ex tD A 22 T95°C	2000K - 31200lm - Ra 4
SAP-E 400	11.20	322425-00		Ex tD A 22 T110°C	2000K - 54000lm - Ra 4

Narrow beam 99.85 prismatic aluminium reflector, for greater heights.



Category 3D
These fixtures can only be used in zones classified as 22, i.e. areas where an explosive atmosphere in the form of combustible powder is not present during normal operation, but, if this occurs, it only persists for short periods.
The fixtures ensure the required level of protection during normal operation.

1215 - 1217 PHOTON ATEX CNRL	
Protection against explosions	II 3D
Allowed dangerous area	Zone 22
Allowed room temperature	up to 250W between from -20°C to +40°C up to 250W -20°C to +30°C
Degree of protection	IP65
Installation	suspension
Casing mechanical resistance	IK08 (5J)
Reference regulations	CEI EN 60598-1 CEI EN 60529 CEI EN 50102 CEI EN 61241-0 CEI EN 61241-1