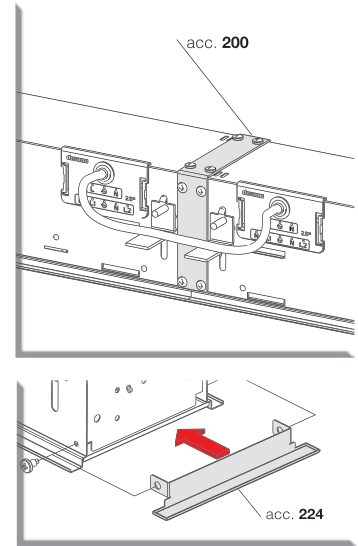




**Housing:** in steel sheet.  
**Supplied without mounting brackets** for contact mounting on the cross T structure. For non-contact mounting, please order brackets acc. 898/899 (see page 28).  
**Upon request:** fixtures can be supplied with a multi-sensor (please use **subcode -0092**).

WATTAGE traditional T5	CONSUMPTION lamps supplied
35W	32W

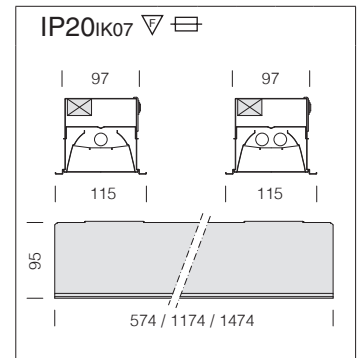
The fixtures with **T5 lamps** are supplied as standard with **energy saving lamps**.



EL A2
EM
DIMM DIG
A1 DIMM
MAIN CONTROL SYSTEM
U.V.
DARK 65° 500 LIGH

FL...FDH  
G5

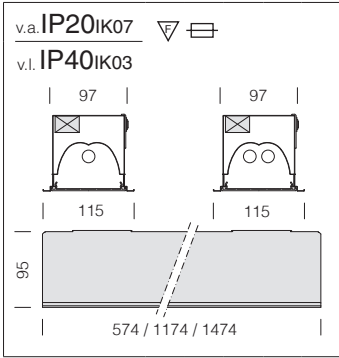
847 - FL 2x35



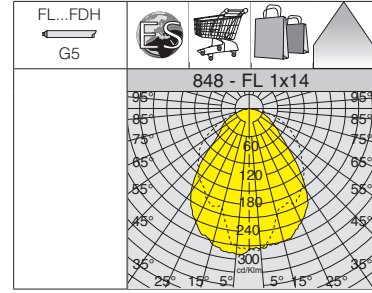
**Dark light louvre:** double parabolic louvres, in high-gloss 99.99 aluminium.

**847 Supercomfort T5 - high-gloss optical 99,99**

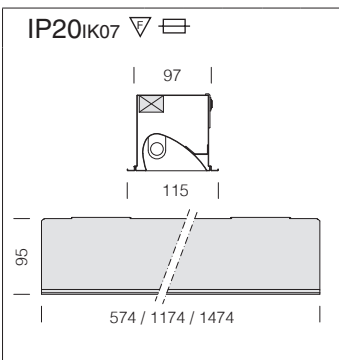
		CELL-F		CELLF-E		CELLF-D		Lamps (Ta=25°C)
wattage	colour	weight	code	weight	code	weight	code	Kelvin - ølm - Ra
FL 1x14	white	1.70	153400-00	2.20	153400-09	1.70	153400-12	4000K - 1250lm - Ra 1b
FL 1x28	white	3.00	153401-00	3.50	153401-09	3.00	153401-12	4000K - 2650lm - Ra 1b
FL 1x35	white	3.50	153402-00	4.00	153402-09	3.50	153402-12	4000K - 3350lm - Ra 1b
FL 2x14	white	2.10	153403-00	2.60	153403-09	2.10	153403-12	4000K - 1250lm - Ra 1b
FL 2x28	white	3.00	153404-00	3.50	153404-09	3.00	153404-12	4000K - 2650lm - Ra 1b
FL 2x35	white	4.00	153405-00	4.50	153405-09	4.00	153405-12	4000K - 3350lm - Ra 1b



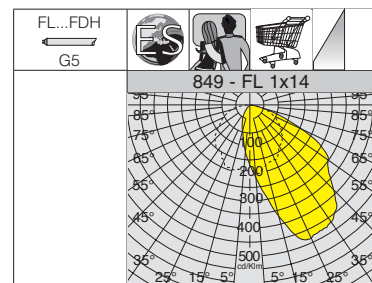
**Diffuser:** in shatterproof and self-extinguishing V2 polycarbonate.



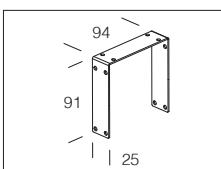
848 Supercomfort T5 - with diffuser								
		CELL-F		CELLF-E		CELLF-D		Lamps (Ta=25°C)
wattage	colour	weight	code	weight	code	weight	code	Kelvin - ølm - Ra
FL 1x14	white	1.20	153410-00	1.70	153410-09	1.20	153410-12	4000K - 1250lm - Ra 1b
FL 1x28	white	2.50	153411-00	3.00	153411-09	2.50	153411-12	4000K - 2650lm - Ra 1b
FL 1x35	white	3.00	153412-00	3.50	153412-09	3.00	153412-12	4000K - 3350lm - Ra 1b
FL 2x14	white	1.60	153413-00	2.10	153413-09	1.60	153413-12	4000K - 1250lm - Ra 1b
FL 2x28	white	2.50	153414-00	3.00	153414-09	2.50	153414-12	4000K - 2650lm - Ra 1b
FL 2x35	white	3.50	153415-00	4.00	153415-09	3.50	153415-12	4000K - 3350lm - Ra 1b



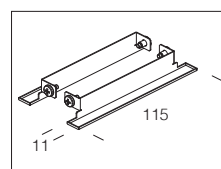
**Asymmetric reflector:** in anti-reflection high-gloss and anti-iridescent aluminium.



849 Supercomfort T5 - asymmetric reflector								
		CELL-F		CELLF-E		CELLF-D		Lamps (Ta=25°C)
wattage	colour	weight	code	weight	code	weight	code	Kelvin - ølm - Ra
FL 1x14	white	1.20	153420-00	1.70	153420-09	1.20	153420-12	4000K - 1250lm - Ra 1b
FL 1x28	white	2.50	153421-00	3.00	153421-09	2.50	153421-12	4000K - 2650lm - Ra 1b
FL 1x35	white	3.00	153422-00	3.50	153422-09	3.00	153422-12	4000K - 3350lm - Ra 1b



**acc. 200 bracket for conti. line**  
steel 998011-00  
To be used when the lighting system is installed in continuous row.



**acc. 224 end cap**  
white 998014-00  
To be used on ceiling fixtures as end caps (also for installation in continuous line).