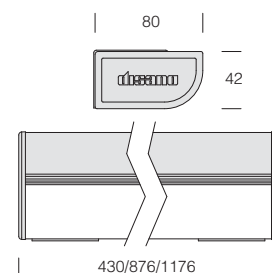


IP43IK03 ▽



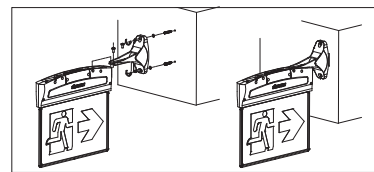
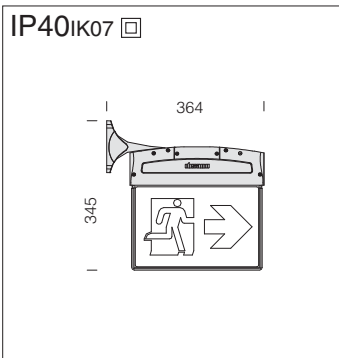
Housing: in extruded aluminium with ABS end caps.

Diffuser: in opal polycarbonate, fluted inside, smooth on the outside, dust-proof, UV stabilized.

420 - Rigo LED

wattage	colour	L	CLD CELL		CLD CELL avec interrupteur		CLD CELL avec prise+interrupt.		W tot	LED (Ta=25°C) ølm - Ra
			weight	code	weight	code	weight	code		
LED white	white	430 mm	1.50	214565-00	1.50	214565-54	1.50	214565-92	7W	819 lm - Ra>80
LED white	white	876 mm	2.00	214566-00	2.00	214566-54	2.00	214566-92	18W	1872 lm - Ra>80
LED white	white	1176 mm	2.50	214567-00	2.50	214567-54	2.50	214567-92	26W	2808 lm - Ra>80

The lighting fixtures equipped with switch and/or socket have an IP20 protection rate.

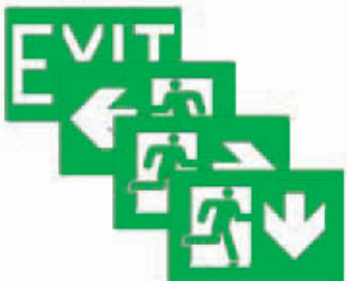


Housing: In plastic material
Reflector: In plexiglass transparent
Version:
 Emergency run time: 60/180 minutes. When power is restored, the battery recharges automatically in 12/24h hours.



620 - Safety Flag LED

		CLD CEM-L		LED (Ta=25°C)	
wattage	colour	weight	code	autonomy	K - Ra
LED	white	3.00	112581-00	1h	6000K - Ra>80
LED	white	3.00	112582-00	3h	6000K - Ra>80



acc. 462 labels

right out	995133-00
left out	995134-00
down out	995135-00
exit	995136-00

Self-adhesive pictograms available and visible up to 26 m. UNI EN1838

