

Dark light louvre: double parabolic louvres, in high-gloss 99.99 aluminium, anti-glare and anti-iridescence, very low luminance with PVD treatment or in double parabolic louvres, in high-gloss 99.85 aluminium.

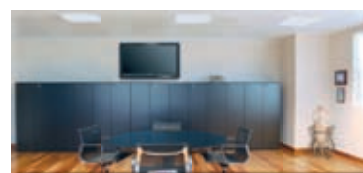
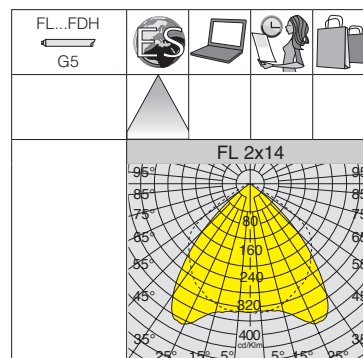
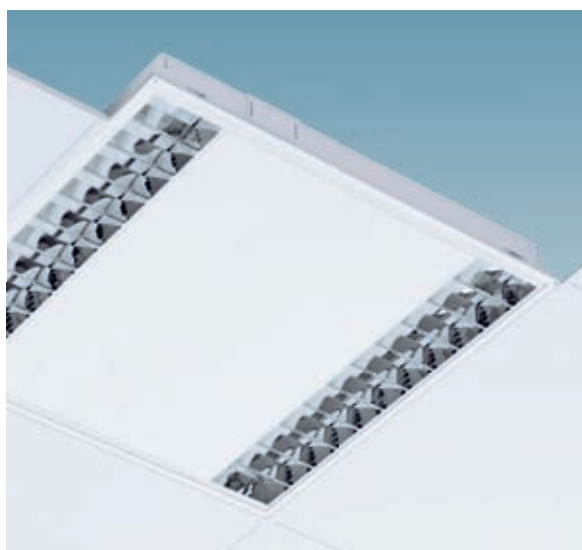
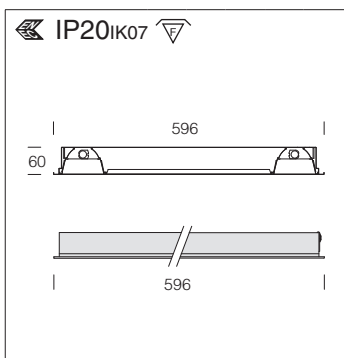
- EL A2
- A1 DIMM
- DIMM DIG
- EM
- MAIN CONTROL SYSTEM
- DARK 65°-500 LIGH

850 Minicomfort T5 - high-gloss optical 99,99

		CELL		CELL-D	CELLD-DIG	CELL-E	Lamps (Ta=25°C)
wattage	colour	weight	code	code	code	code	Kelvin - ølm - Ra
FL 2x14	white	2.60	153500-00	153500-12	153500-0041		4000K - 1250lm - Ra 1b
FL 2x28	white	4.30	153504-00	153504-12	153504-0041	153504-07	4000K - 2650lm - Ra 1b

853 Minicomfort T5 - high-gloss optical 99,85

		CELL		CELL-D	CELLD-DIG	CELL-E	Lamps (Ta=25°C)
wattage	colour	weight	code	code	code	code	Kelvin - ølm - Ra
FL 2x14	white	2.60	153540-00	153540-12	153540-0041		4000K - 1250lm - Ra 1b
FL 2x28	white	4.30	153544-00	153544-12	153544-0041	153544-07	4000K - 2650lm - Ra 1b



Dark light louvre: double parabolic louvres, in high-gloss 99.99 aluminium, anti-glare and anti-iridescence, very low luminance with PVD treatment or in double parabolic louvres, in high-gloss 99.85 aluminium.

- EL A2
- A1 DIMM
- DIMM DIG
- EM
- MAIN CONTROL SYSTEM
- DARK 65°-500 LIGH

855 Minicomfort - high-gloss optical 99,99

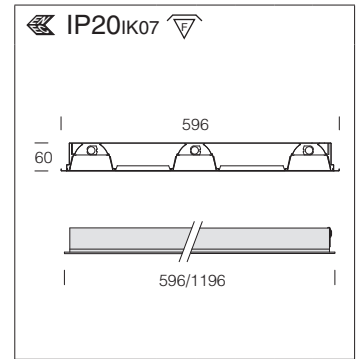
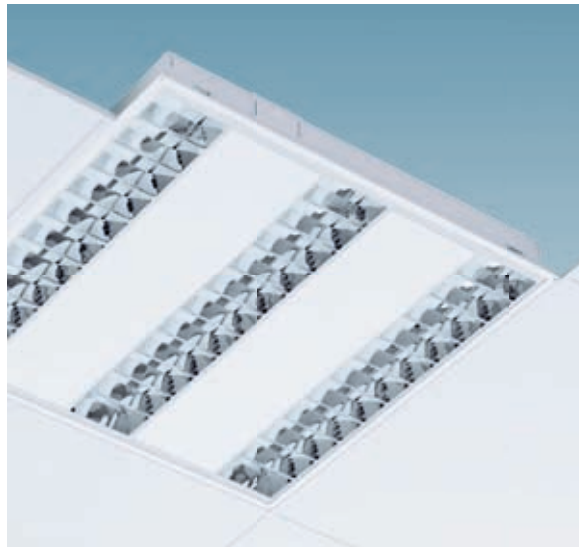
		CELL		CELL-D	CELLD-DIG	CELL-E	Lamps (Ta=25°C)
wattage	colour	weight	code	code	code	code	Kelvin - ølm - Ra
FL 2x14	white	3.20	153700-00	153700-12	153700-0041	153700-07	4000K - 1250lm - Ra 1b

857 Minicomfort - high-gloss optical 99,85

		CELL		CELL-D	CELLD-DIG	CELL-E	Lamps (Ta=25°C)
wattage	colour	weight	code	code	code	code	Kelvin - ølm - Ra
FL 2x14	white	3.20	153710-00	153710-12	153710-0041	153710-07	4000K - 1250lm - Ra 1b

EL A2
A1
DIMM
DIG
EM
MAIN CONTROL SYSTEM
DARK 65° 500 LIGH

FL...FDH
G5



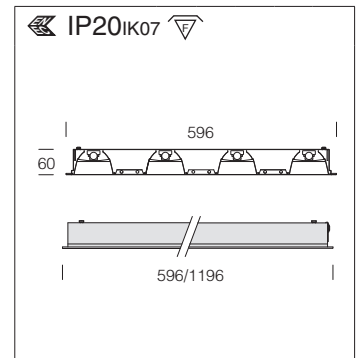
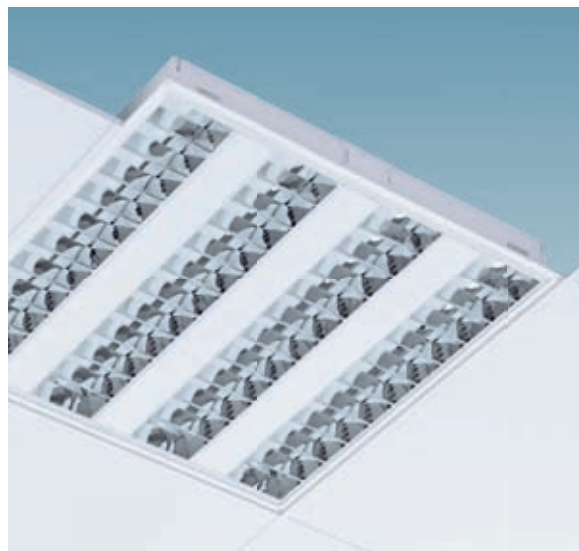
Dark light louvre: double parabolic louvres, in high-gloss 99.99 aluminium, anti-glare and anti-iridescence, very low luminance with PVD treatment or in double parabolic louvres, in high-gloss 99.85 aluminium.

850 Minicomfort T5 - high-gloss optical 99,99							
wattage	colour	CELL		CELL-D	CELLD-DIG	CELL-E	Lamps (Ta=25°C)
		weight	code	code	code	code	Kelvin - ølm - Ra
FL 3x14	white	3.40	153501-00	153501-12	153501-0041	153501-07	4000K - 1250lm - Ra 1b
FL 3x24	white	3.40	153502-00			153502-07	4000K - 1750lm - Ra 1b
FL 3x28	white	6.00	153505-00	153505-12	153505-0041	153505-07	4000K - 2650lm - Ra 1b

853 Minicomfort T5 - high-gloss optical 99,85							
wattage	colour	CELL		CELL-D	CELLD-DIG	CELL-E	Lamps (Ta=25°C)
		weight	code	code	code	code	Kelvin - ølm - Ra
FL 3x14	white	3.40	153541-00	153541-12	153541-0041	153541-07	4000K - 1250lm - Ra 1b
FL 3x24	white	3.40	153542-00			153542-07	4000K - 1750lm - Ra 1b
FL 3x28	white	6.00	153545-00	153545-12	153545-0041	153545-07	4000K - 2650lm - Ra 1b

EL A2
A1
DIMM
DIG
EM
MAIN CONTROL SYSTEM
DARK 65° 500 LIGH

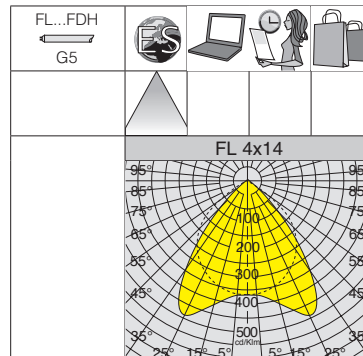
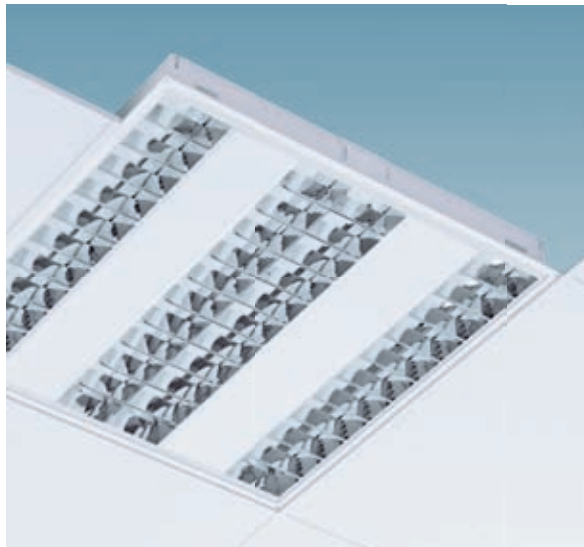
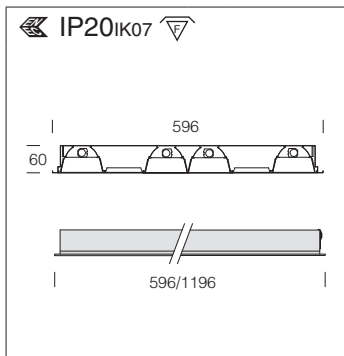
FL...FDH
G5



Dark light louvre: double parabolic louvres, in high-gloss 99.99 aluminium, anti-glare and anti-iridescence, very low luminance with PVD treatment or in double parabolic louvres, in high-gloss 99.85 aluminium.

850 Minicomfort T5 - high-gloss optical 99,99							
wattage	colour	CELL		CELL-D	CELLD-DIG	CELL-E	Lamps (Ta=25°C)
		weight	code	code	code	code	Kelvin - ølm - Ra
FL 4x14	white	3.60	153503-00	153503-12	153503-0041	153503-07	4000K - 1250lm - Ra 1b
FL 4x28	white	6.50	153506-00	153506-12	153506-0041	153506-07	4000K - 2650lm - Ra 1b

853 Minicomfort T5 - high-gloss optical 99,85							
wattage	colour	CELL		CELL-D	CELLD-DIG	CELL-E	Lamps (Ta=25°C)
		weight	code	code	code	code	Kelvin - ølm - Ra
FL 4x14	white	3.60	153543-00	153543-12	153543-0041	153543-07	4000K - 1250lm - Ra 1b
FL 4x28	white	6.50	153546-00	153546-12	153546-0041	153546-07	4000K - 2650lm - Ra 1b



Dark light louvre: double parabolic louvres, in high-gloss 99.99 aluminium, anti-glare and anti-iridescence, very low luminance with PVD treatment or in double parabolic louvres, in high-gloss 99.85 aluminium.

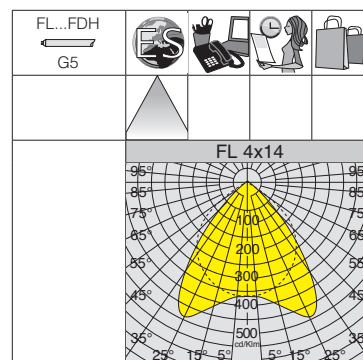
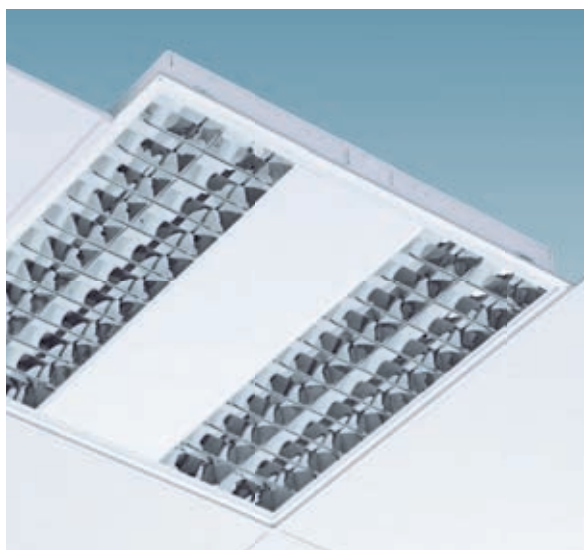
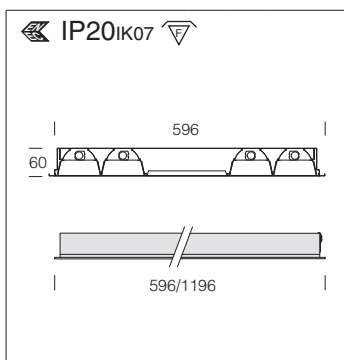
- EL A2
- A1 DIMM
- DIMM DIG
- EM
- MAIN CONTROL SYSTEM
- DARK 65° 500 LIGH

887 Minicomfort T5 - high-gloss optical 99,99

		CELL		CELL-D	CELLD-DIG	CELL-E	Lamps (Ta=25°C)
wattage	colour	weight	code	code	code	code	Kelvin - ølm - Ra
FL 4x14	white	3.60	153740-00	153740-12	153740-0041	153740-07	4000K - 1250lm - Ra 1b
FL 4x28	white	6.50	153741-00	153741-12	153741-0041	153741-07	4000K - 2650lm - Ra 1b

890 Minicomfort T5 - high-gloss optical 99,85

		CELL		CELL-D	CELLD-DIG	CELL-E	Lamps (Ta=25°C)
wattage	colour	weight	code	code	code	code	Kelvin - ølm - Ra
FL 4x14	white	3.60	153750-00	153750-12	153750-0041	153750-07	4000K - 1250lm - Ra 1b
FL 4x28	white	6.50	153751-00	153751-12	153751-0041	153751-07	4000K - 2650lm - Ra 1b



Dark light louvre: double parabolic louvres, in high-gloss 99.99 aluminium, anti-glare and anti-iridescence, very low luminance with PVD treatment or in double parabolic louvres, in high-gloss 99.85 aluminium.

- EL A2
- A1 DIMM
- DIMM DIG
- EM
- MAIN CONTROL SYSTEM
- DARK 65° 500 LIGH

858 Minicomfort - high-gloss optical 99,99

		CELL		CELL-D	CELLD-DIG	CELL-E	Lamps (Ta=25°C)
wattage	colour	weight	code	code	code	code	Kelvin - ølm - Ra
FL 4x14	white	3.00	153720-00	153720-12	153720-0041	153720-07	4000K - 1250lm - Ra 1b
FL 4x28	white	6.00	153721-00	153721-12	153721-0041	153721-07	4000K - 2650lm - Ra 1b

859 Minicomfort - high-gloss optical 99,85

		CELL		CELL-D	CELLD-DIG	CELL-E	Lamps (Ta=25°C)
wattage	colour	weight	code	code	code	code	Kelvin - ølm - Ra
FL 4x14	white	3.00	153730-00	153730-12	153730-0041	153730-07	4000K - 1250lm - Ra 1b
FL 4x28	white	6.00	153731-00	153731-12	153731-0041	153731-07	4000K - 2650lm - Ra 1b



Housing: galvanized steel sheet, pre-coated with paint containing polyester resin.

Cover: with micro-perforated sheet steel.

Supplied without mounting brackets: for non-contact mounting, please use brackets acc. 326 (see page 28).

Upon request: fixtures can be supplied with a multi-sensor, please use **subcode -0092** (1-10V).

- 0092



Quick connector for electric connection inside the fixture.

Louvre protection film to be removed.

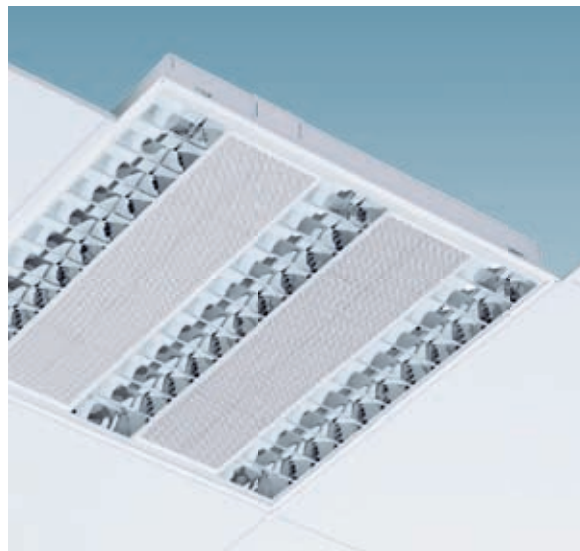


EL
A2

FL...FDH
G5

FL 3x14

DARK
65° 500
LIGH

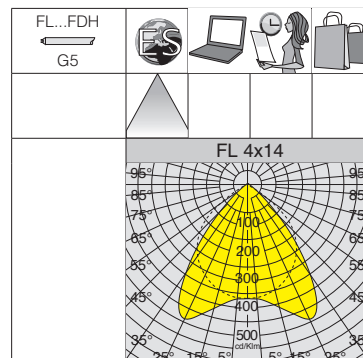
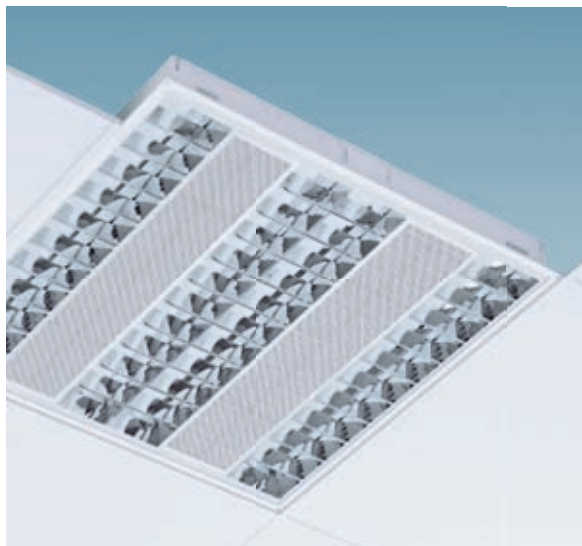
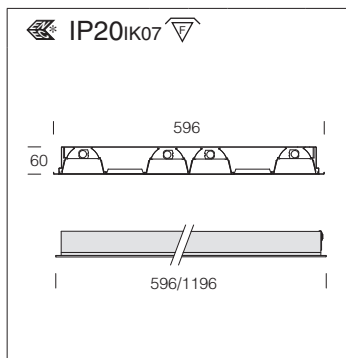


IP20IK07 * waiting for approval

Dark light louvre: double parabolic louvres, in high-gloss 99.99 aluminium, anti-glare and anti-iridescence, very low luminance with PVD treatment or in double parabolic louvres, in high-gloss 99.85 aluminium.

893 Minicomfort T5 - high-gloss optical 99,99							
		CELL		CELL-D	CELLD-DIG	CELL-E	Lamps (Ta=25°C)
wattage	colour	weight	code	code	code	code	Kelvin - ølm - Ra
FL 3x14	white	3.40	153760-00	153760-12	153760-0041	153760-07	4000K - 1250lm - Ra 1b
FL 3x28	white	6.00	153761-00	153761-12	153761-0041	153761-07	4000K - 2650lm - Ra 1b

894 Minicomfort T5 - high-gloss optical 99,85							
		CELL		CELL-D	CELLD-DIG	CELL-E	Lamps (Ta=25°C)
wattage	colour	weight	code	code	code	code	Kelvin - ølm - Ra
FL 3x14	white	3.40	153770-00	153770-12	153770-0041	153770-07	4000K - 1250lm - Ra 1b
FL 3x28	white	6.00	153771-00	153771-12	153771-0041	153771-07	4000K - 2650lm - Ra 1b



Dark light louvre: double parabolic louvres, in high-gloss 99.99 aluminium, anti-glare and anti-iridescence, very low luminance with PVD treatment or in double parabolic louvres, in high-gloss 99.85 aluminium.

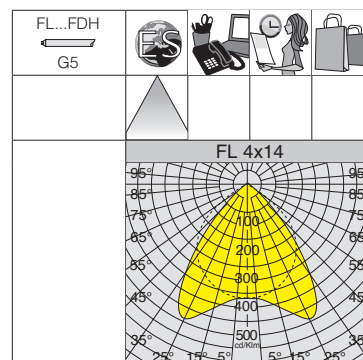
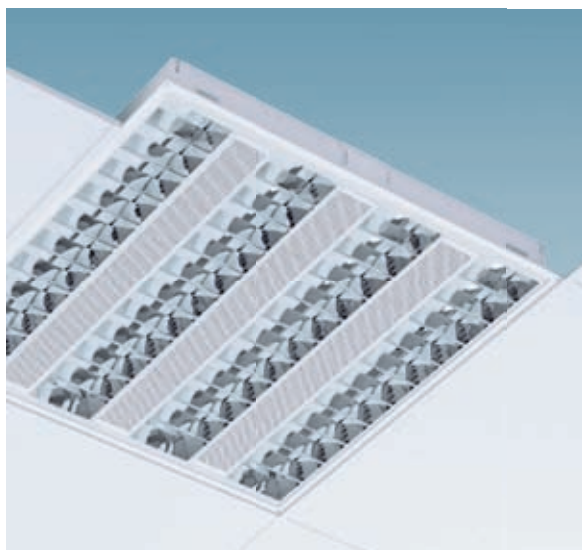
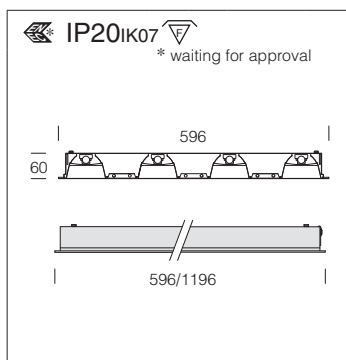
- EL A2
- A1 DIMM
- DIMM DIG
- EM
- MAIN CONTROL SYSTEM
- DARK 65°<500 LIGHT

891 Minicomfort T5 - high-gloss optical 99,99

		CELL		CELL-D	CELLD-DIG	CELL-E	Lamps (Ta=25°C)
wattage	colour	weight	code	code	code	code	Kelvin - olm - Ra
FL 4x14	white	3.60	153746-00	153746-12	153746-0041	153746-07	4000K - 1250lm - Ra 1b
FL 4x28	white	6.50	153747-00	153747-12	153747-0041	153747-07	4000K - 2650lm - Ra 1b

892 Minicomfort T5 - high-gloss optical 99,85

		CELL		CELL-D	CELLD-DIG	CELL-E	Lamps (Ta=25°C)
wattage	colour	weight	code	code	code	code	Kelvin - olm - Ra
FL 4x14	white	3.60	153756-00	153756-12	153756-0041	153756-07	4000K - 1250lm - Ra 1b
FL 4x28	white	6.50	153757-00	153757-12	153757-0041	153757-07	4000K - 2650lm - Ra 1b



Dark light louvre: double parabolic louvres, in high-gloss 99.99 aluminium, anti-glare and anti-iridescence, very low luminance with PVD treatment or in double parabolic louvres, in high-gloss 99.85 aluminium.

- EL A2
- A1 DIMM
- DIMM DIG
- EM
- MAIN CONTROL SYSTEM
- DARK 65°<500 LIGHT

895 Minicomfort T5 - high-gloss optical 99,99

		CELL		CELL-D	CELLD-DIG	CELL-E	Lamps (Ta=25°C)
wattage	colour	weight	code	code	code	code	Kelvin - olm - Ra
FL 4x14	white	3.00	153780-00	153780-12	153780-0041	153780-07	4000K - 1250lm - Ra 1b
FL 4x28	white	6.00	153781-00	153781-12	153781-0041	153781-07	4000K - 2650lm - Ra 1b

896 Minicomfort T5 - high-gloss optical 99,85

		CELL		CELL-D	CELLD-DIG	CELL-E	Lamps (Ta=25°C)
wattage	colour	weight	code	code	code	code	Kelvin - olm - Ra
FL 4x14	white	3.00	153790-00	153790-12	153790-0041	153790-07	4000K - 1250lm - Ra 1b
FL 4x28	white	6.00	153791-00	153791-12	153791-0041	153791-07	4000K - 2650lm - Ra 1b