

Korumna Commercial Centre



**Housing:** Die-cast aluminium with cooling fins.

**Reflector:** Asymmetric; 99.85 aluminium.

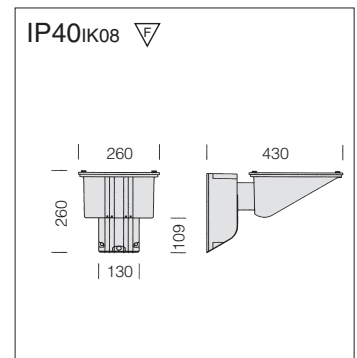
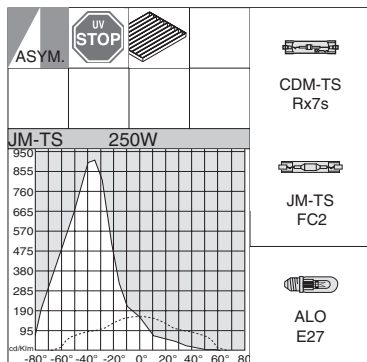
**Coating:** Fluid-coated with a humidity resistant, UV-stabilised acrylic-resin paint.

**Lampholder:** Ceramic with silver-plated contacts.

**Electric gear:** 230V-50Hz power supply with traditional ballast and thermal protection. Silicone wire with fibreglass braid, cross-section: 1.5 mm<sup>2</sup>. 2P + T terminal block (maximum allowed lead cross section 2,5 sqmm).

**Standard supply:** Supplied with On/Off switch.

**Lamps:** Supplied with 3000K discharge lamps.



Zen wall version				
		CNRL		Lamps (Ta=25°C)
wattage	colour	weight	code	Kelvin - h - ølm - Ra
CDM-TS 70	white	4,80	22049013-00	3000K - 6500 lm - Ra 1b
CDM-TS 150	white	5,90	22049014-00	3000K - 13250 lm - Ra 1b
CDM-TS 150	m. silver	5,90	22049075-00	3000K - 13250 lm - Ra 1b
JM-TS 250	white	6,90	22049118-00	3000K - 2200 lm - Ra 1b
JM-TS 250	m. silver	6,90	22049179-00	3000K - 2200 lm - Ra 1b
CDM-TS+ALO 150+100	white	6,30	22049213-00	3000K - 13250 lm - Ra 1b + 2900K + 1500 lm
CDM-TS+ALO 150+100	m. silver	6,30	22049274-00	3000K - 13250 lm - Ra 1b + 2900K + 1500 lm
JM-TS+ALO 250+100	white	7,20	22049317-00	3000K - 2200 lm - Ra 1b + 2900K + 1500 lm
JM-TS+ALO 250+100	m. silver	7,20	22049378-00	3000K - 2200 lm - Ra 1b + 2900K + 1500 lm