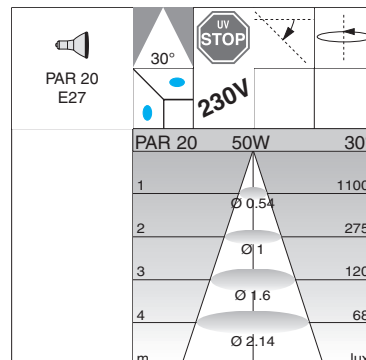
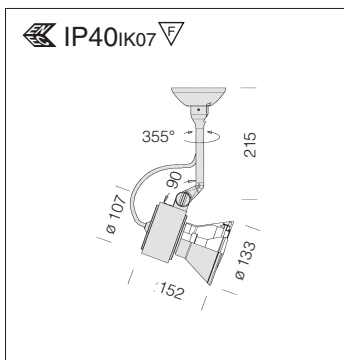


Vision A+M POWER LED - 10° beam angle					
		CLD CTL		LED (Ta=25°C)	
wattage/W 350mA	colour	weight	code	W tot.	K - ølm (350mA) - gradi
LED bianco 3x1,2W	m. silver	1,20	22800074-00	3,5	3000 K - 242 lm - 10°
LED bianco 3x1,2W	m. silver	1,20	22800072-00	3,5	4000 K - 282 lm - 10°
LED bianco 3x1,2W	m. silver	1,20	22800079-00	3,5	6000 K - 321 lm - 10°

LED: supplied with triple LED module, 1.2W each, 350 mA. 10° beam.

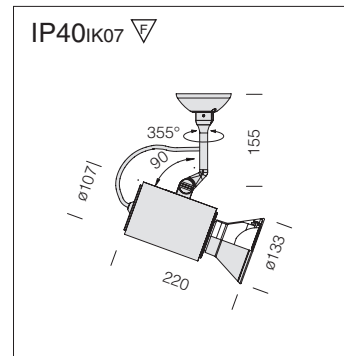
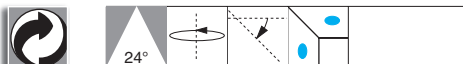
LED: supplied with LED module, 2.5W, works with mains voltage. 10° beam

Vision A+M POWER LED - 10° beam angle - 230 V							
		CLD SL		LED (Ta=25°C)			
wattage	colour	weight	code	W tot.	K	cd	degrees
LED white 1x2,5W	m. silver	1,20	22800078-00	2,5	5000	120	10°
LED blue 1x2,5W	m. silver	1,20	22800078-71	2,5		120	10°
LED red 1x2,5W	m. silver	1,20	22800078-72	2,5		120	10°
LED yellow 1x2,5W	m. silver	1,20	22800078-73	2,5		120	10°
LED green 1x2,5W	m. silver	1,20	22800078-74	2,5		120	10°



Vision A+M					
		CNL		Lamps (Ta=25°C)	
wattage	colour	weight	code	Kelvin - h - ølm - Ra	
PAR20 50	m. silver	1,20	22800073-00	3000K - 2000h - 850cd - 30°	
PAR20 50	black	1,20	22800033-00		
PAR20 50	white	1,20	22800013-00		

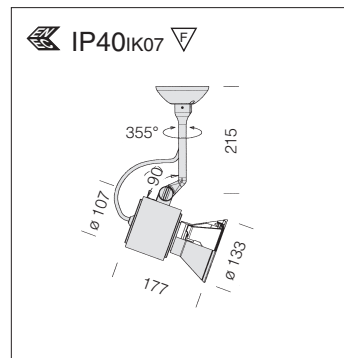
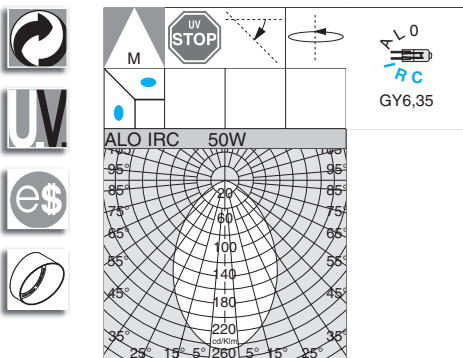
Supplied with PAR 20 lamp. Mains voltage operation.



Supplied with SpotLED111 lamp, consists of 7 LED lights, 12W power and electronic transformer. The lamp can be pointed in any direction at 360°. LED lights have no ultraviolet and infrared components.

Available upon request with 8° narrow beam and 40° wide beam

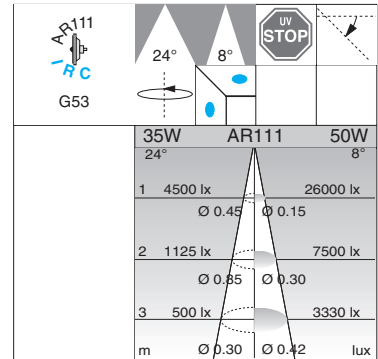
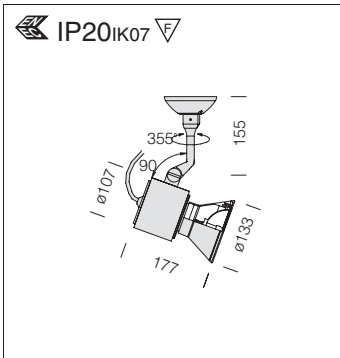
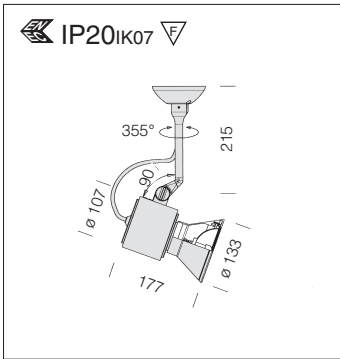
Vision B+M SPOTLED					
		CLD CELL			LED (Ta=25°C)
wattage/W (500mA)	color	weight	code	W tot.	K - ølm 500mA - degrees
SPOTLED111 12W	white	1,80	22800212-00	12	3000 K - 700lm - 24°
SPOTLED111 12W	black	1,80	22800232-00	12	
SPOTLED111 12W	m. silver	1,80	22800272-00	12	
SPOTLED111 12W	white	1,80	22800215-00	12	4200 K - 765lm - 24°
SPOTLED111 12W	black	1,80	22800235-00	12	
SPOTLED111 12W	m. silver	1,80	22800275-00	12	



**Diffuser:** protection frosted tempered glass.

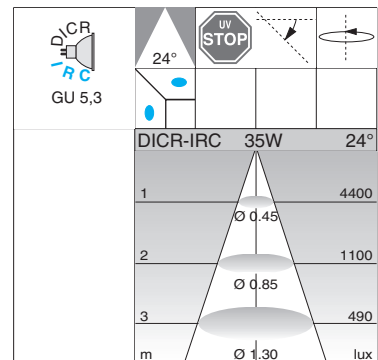
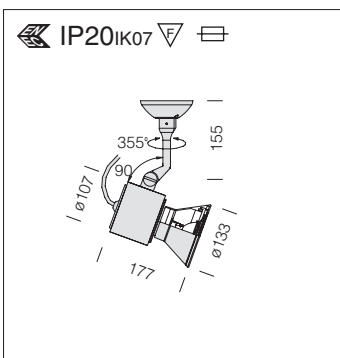
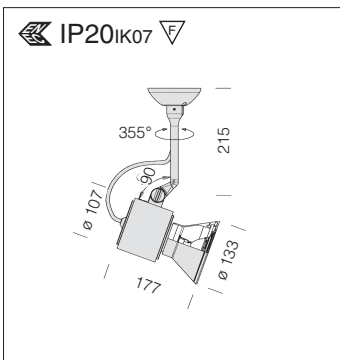
Vision B+M					
		CTL		Lamps (Ta=25°C)	
wattage	colour	weight	code	Kelvin - h - ølm - Ra	
ALO-IRC 50	m. silver	1,40	22800172-00	3000K - 4000h - 1250 lm	
ALO-IRC 50	black	1,40	22800132-00		
ALO-IRC 50	white	1,40	22800112-00		

Supplied with transformer and IRC lamp = energy saving.



Vision B+M						
		CTL long version		CTL short version		Lamps (Ta=25°C)
wattage	colour	weight	code	weight	code	Kelvin - h - ølm - Ra
AR111-IRC 35	m. silver	1,30	22800274-00	1,20	22800278-00	3000K - 4000h - 4500cd - 24°
AR111-IRC 35	black	1,30	22800234-00	1,20	22800238-00	
AR111-IRC 35	white	1,30	22800214-00	1,20	22800218-00	
AR111-IRC 50	m. silver	1,30	22800273-00			3000K - 4000h - 5800cd - 8°
AR111-IRC 50	black	1,30	22800233-00			
AR111-IRC 50	white	1,30	22800213-00			

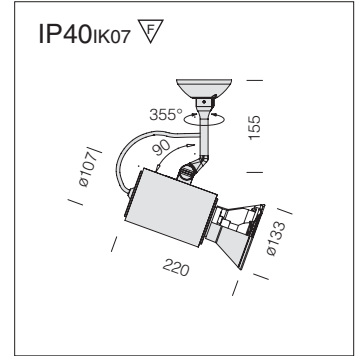
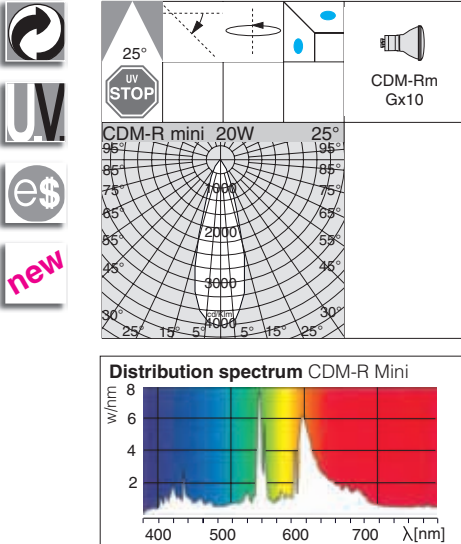
Supplied with transformer and IRC lamp = energy saving.



Vision B+M						
		CTL long version		CTL short version		Lamps (Ta=25°C)
wattage	colour	weight	code	weight	code	Kelvin - h - ølm - Ra
DICR-IRC 35	m. silver	1,30	22800376-00	1,20	22800379-00	3000K - 5000h - 4400cd - 24°
DICR-IRC 35	black	1,30	22800336-00	1,20	22800339-00	
DICR-IRC 35	white	1,30	22800316-00	1,20	22800319-00	

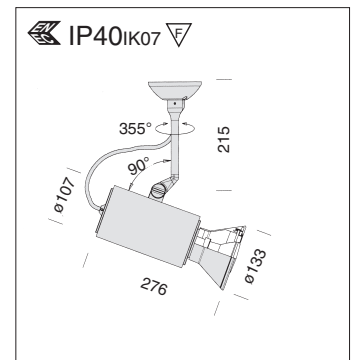
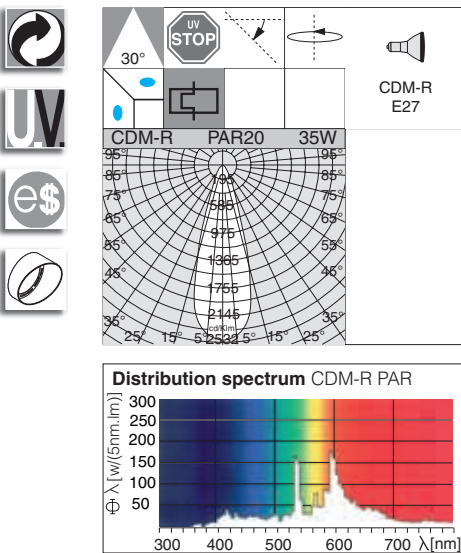
Supplied with transformer and IRC lamp = energy saving.





CDM-R Mini saves up to 60% more energy than halogen lamps. It offers higher energy yield and excellent colour stability.

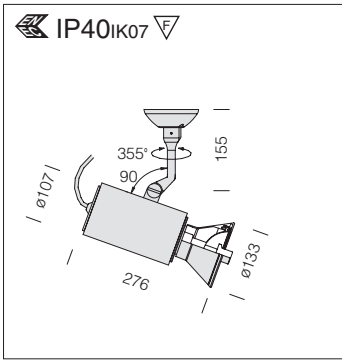
Vision B+M				
		CELL		Lamps (Ta=25°C)
wattage/W	colour	weight	code	Kelvin - ølm - Ra
CDM-R Mini 20	white	1,50	22800211-00	3000K - 1080lm - Ra 1b - 25°
CDM-R Mini 20	black	1,50	22800231-00	
CDM-R Mini 20	m. silver	1,50	22800271-00	
CDM-R Mini 35	white	1,50	22800216-00	3000K - 2200lm - Ra 1b - 25°
CDM-R Mini 35	black	1,50	22800236-00	
CDM-R Mini 35	m. silver	1,50	22800276-00	



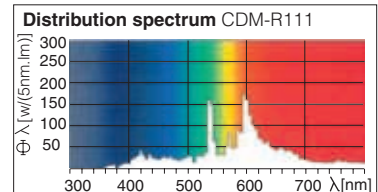
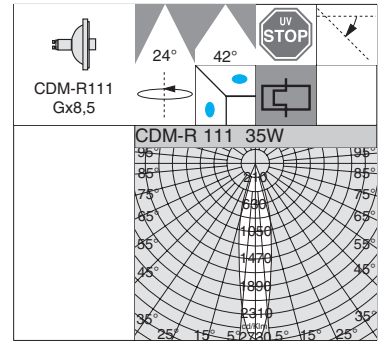
CDM-R lamps are designed for decorative illumination and expositions. The energy consumption and heat production are reduced by at least 66%. Lamps life is up to 4 times more than using a halogen lamp (11000h average life).

Vision C+M				
		CELL		Lamps (Ta=25°C)
wattage	colour	weight	code	Kelvin - h - ølm - Ra
CDM-R-PAR 20 35	m. silver	2,00	22800677-00	3000K - 1950 lm - Ra 1b - 30°
CDM-R-PAR 20 35	black	2,00	22800637-00	
CDM-R-PAR 20 35	white	2,00	22800617-00	

Supplied with electronic gear and lamp CDM-R-PAR 20.

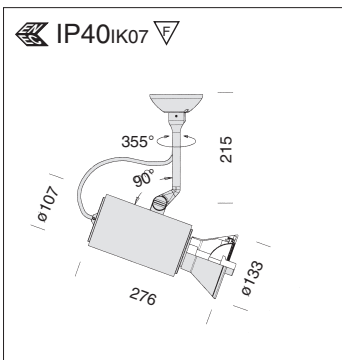


CDM-R lamps are designed for decorative illumination and expositions. The energy consumption and heat production are reduced by at least 66%. Lamps life is up to 4 times more than using a halogen lamp (11000h average life).

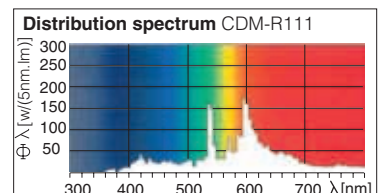
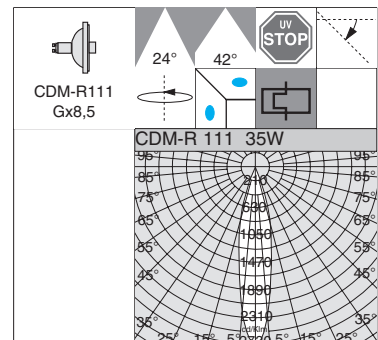


Vision C+M short version				
		CELL		Lamps (Ta=25°C)
wattage	colour	weight	code	Kelvin - h - ølm - Ra
CDM-R111 35	m. silver	1,90	22800574-00	3000K - Ra 1b - 1350lm - 24°
CDM-R111 35	black	1,90	22800534-00	
CDM-R111 35	white	1,90	22800514-00	
CDM-R111 70	m. silver	1,90	22800578-00	3000K - Ra 1b - 2650lm - 42°
CDM-R111 70	black	1,90	22800538-00	
CDM-R111 70	white	1,90	22800518-00	

Supplied with electronic gear and CDM-R111 lamp.



CDM-R lamps are designed for decorative illumination and expositions. The energy consumption and heat production are reduced by at least 66%. Lamps life is up to 4 times more than using a halogen lamp (11000h average life).

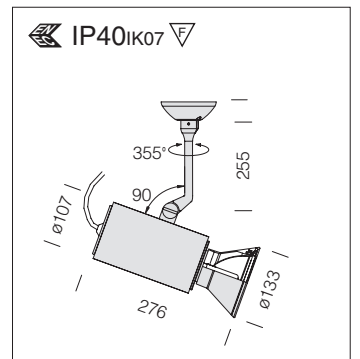
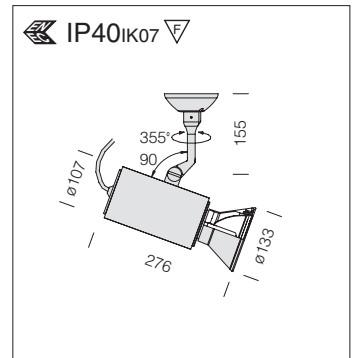
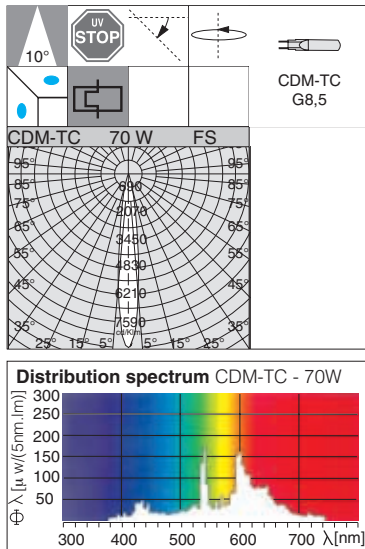
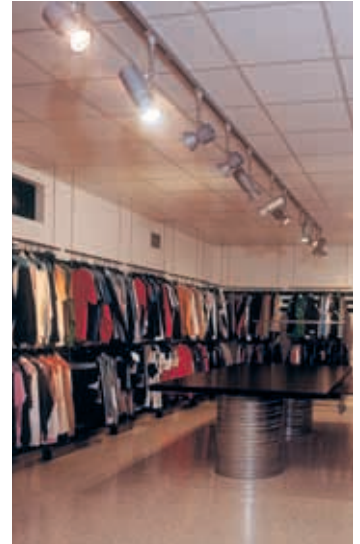


Vision C+M long version				
		CELL		Lamps (Ta=25°C)
wattage	colour	weight	code	Kelvin - h - ølm - Ra
CDM-R111 35	m. silver	2,00	22800571-00	3000K - Ra 1b - 1350lm - 24°
CDM-R111 35	black	2,00	22800531-00	
CDM-R111 35	white	2,00	22800511-00	
CDM-R111 70	m. silver	2,00	22800572-00	3000K - Ra 1b - 2650lm - 42°
CDM-R111 70	black	2,00	22800532-00	
CDM-R111 70	white	2,00	22800512-00	

Supplied with electronic gear and CDM-R111 lamp.





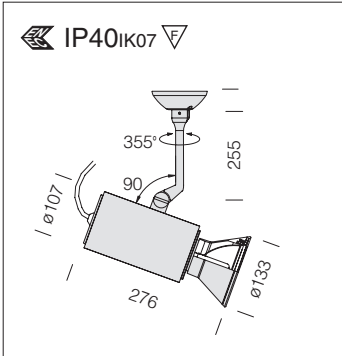
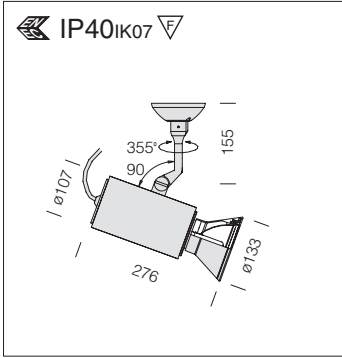


Vision C+M - FS						
		CELL long version		CELL short version		Lamps (Ta=25°C)
wattage/W	color	weight	code	weight	code	Kelvin - olm - Ra
CDM-TC Elite 35	white	1,90	22800613-00	1,90	22800616-00	3000K - 3500 lm Ra 90 - 10°
CDM-TC Elite 35	black	1,90	22800633-00	1,90	22800636-00	
CDM-TC Elite 35	m. silver	1,90	22800673-00	1,90	22800676-00	
CDM-TC Elite 70	white	1,90	22800619-00	1,90	22800618-00	3000K - 7300 lm Ra 90 - 10°
CDM-TC Elite 70	black	1,90	22800639-00	1,90	22800638-00	
CDM-TC Elite 70	m. silver	1,90	22800679-00	1,90	22800678-00	

CDM Elite Lamps: suitable for shopping centres, ideal for enhancing the goods displayed.  
 - Maintenance cost reduction  
 - 10% increase in energy efficiency in contrast with traditional lamps  
 - Excellent colour rendering (Ra 90)  
 - Improved light levels (twice as powerful)

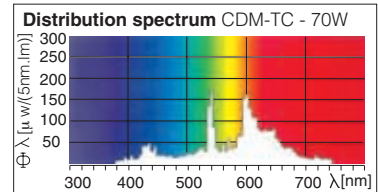
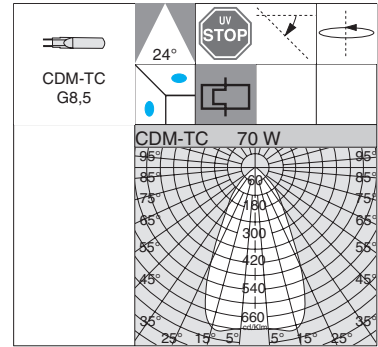
**Reflector:** in oxidized and faceted aluminium.  
**Diffuser:** protection clear tempered glass.

Supplied with electronic ballast.



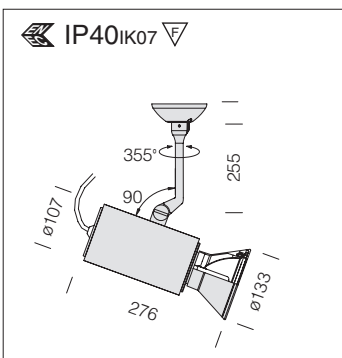
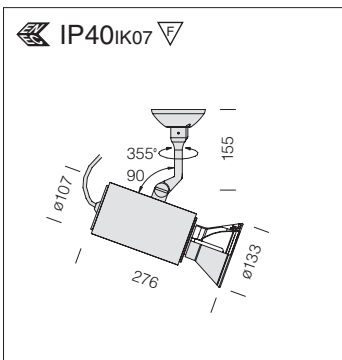
**Reflector:** in oxidized aluminium with semi-spherical facets.  
**Diffuser:** protection clear tempered glass.

Supplied with electronic ballast.



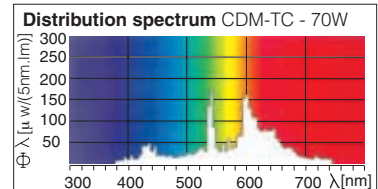
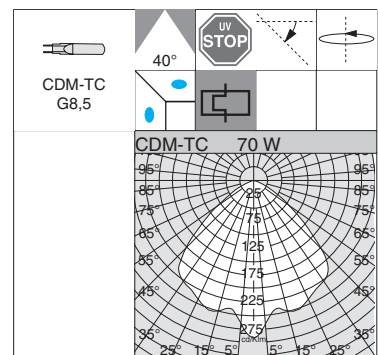
Vision C+M - FM						
wattage/W	color	CELL long version		CELL short version		Lamps (Ta=25°C)
		weight	code	weight	code	Kelvin - ølm - Ra
CDM-TC Elite 35	white	1,90	22800513-00	1,90	22800516-00	3000K - 3500 lm Ra 90 - 24°
CDM-TC Elite 35	black	1,90	22800533-00	1,90	22800536-00	
CDM-TC Elite 35	m. silver	1,90	22800573-00	1,90	22800576-00	
CDM-TC Elite 70	white	1,90	22800515-00	1,90	22800517-00	3000K - 7300 lm Ra 90 - 24°
CDM-TC Elite 70	black	1,90	22800535-00	1,90	22800537-00	
CDM-TC Elite 70	m. silver	1,90	22800575-00	1,90	22800577-00	

CDM Elite Lamps: suitable for shopping centres, ideal for enhancing the goods displayed.  
 - Maintenance cost reduction  
 - 10% increase in energy efficiency in contrast with traditional lamps  
 - Excellent colour rendering (Ra 90)  
 - Improved light levels (twice as powerful)



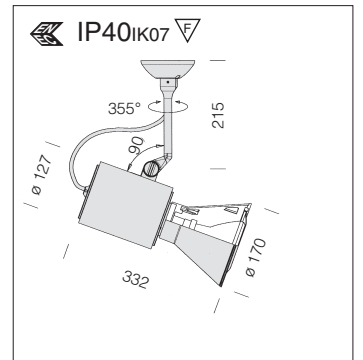
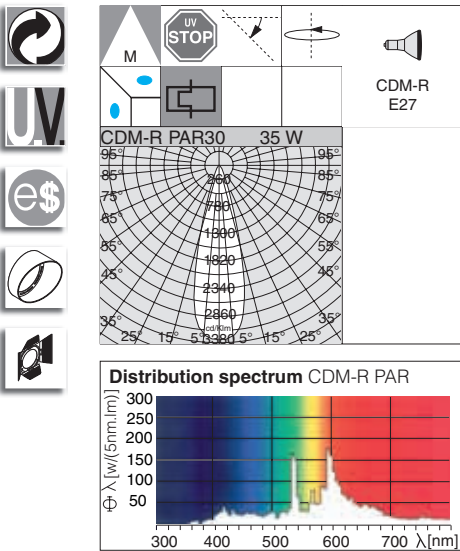
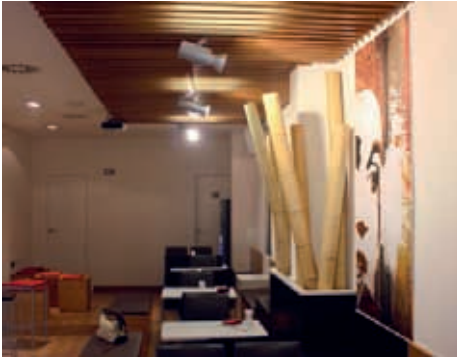
**Reflector:** in oxidized and faceted matt aluminium.  
**Diffuser:** protection clear tempered glass.

Supplied with electronic ballast.



Vision C+M - FL						
wattage/W	color	CELL long version		CELL short version		Lamps (Ta=25°C)
		weight	code	weight	code	Kelvin - ølm - Ra
CDM-TC Elite 35	white	1,90	22800611-00	1,90	22800615-00	3000K - 3500 lm Ra 90 - 40°
CDM-TC Elite 35	black	1,90	22800631-00	1,90	22800635-00	
CDM-TC Elite 35	m. silver	1,90	22800671-00	1,90	22800675-00	
CDM-TC Elite 70	white	1,90	22800612-00	1,90	22800614-00	3000K - 7300 lm Ra 90 - 40°
CDM-TC Elite 70	black	1,90	22800632-00	1,90	22800634-00	
CDM-TC Elite 70	m. silver	1,90	22800672-00	1,90	22800674-00	

CDM Elite Lamps: suitable for shopping centres, ideal for enhancing the goods displayed.  
 - Maintenance cost reduction  
 - 10% increase in energy efficiency in contrast with traditional lamps  
 - Excellent colour rendering (Ra 90)  
 - Improved light levels (twice as powerful)

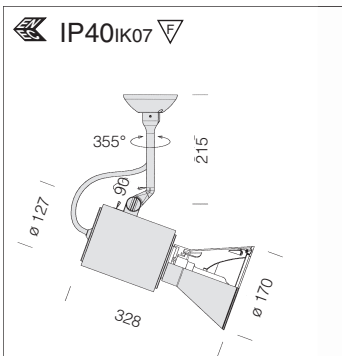


CDM-R lamps are designed for decorative illumination and exhibitions. The energy consumption and heat production are reduced by at least 66%. Lamps life is up to 4 times more than using a halogen lamp (11000h average life).

Vision D+N				
		CELL		Lamps (Ta=25°C)
wattage	colour	weight	code	Kelvin - h - $\phi$ lm - Ra
CDM-R-PAR30 35	m. silver	2,60	22800970-00	3000K - 2200 lm - Ra 1b
CDM-R-PAR30 35	black	2,60	22800930-00	
CDM-R-PAR30 35	white	2,60	22800910-00	
CDM-R-PAR30 70	m. silver	2,60	22800971-00	3000K - 4850 lm - Ra 1b
CDM-R-PAR30 70	black	2,60	22800931-00	
CDM-R-PAR30 70	white	2,60	22800911-00	

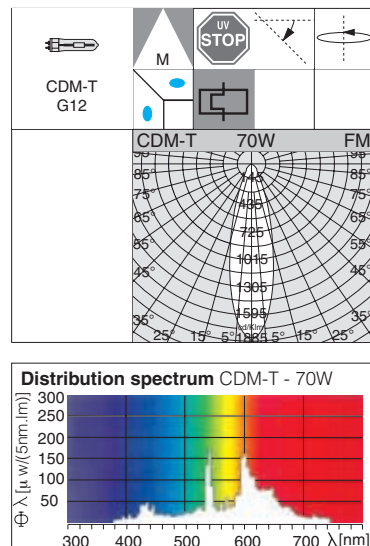
Supplied with electronic gear and CDM-R PAR30 lamp.





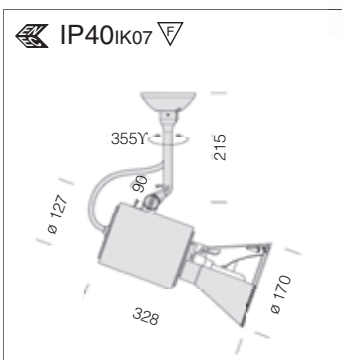
**Reflector:** in oxidized aluminium with semi-spherical facets.  
**Diffuser:** protection clear tempered glass.

CDM Elite Lamps: suitable for shopping centres, ideal for enhancing the goods displayed.  
 - Maintenance cost reduction  
 - 10% increase in energy efficiency in contrast with traditional lamps  
 - Excellent colour rendering (Ra 90)  
 - Improved light levels (twice as powerful)



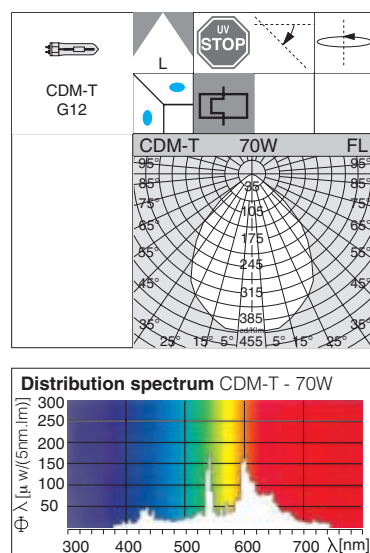
Vision D+N - medium beam					
		CELL		Lamps (Ta=25°C)	
wattage	colour	weight	code	Kelvin - h - $\phi$ lm - Ra	
CDM-T Elite 70	m. silver	2,60	22800774-00	3000K - 7300 lm - Ra 90	
CDM-T Elite 70	black	2,60	22800734-00		
CDM-T Elite 70	white	2,60	22800714-00		
Supplied with electronic gear.					

Vision D+N - medium beam					
		CELL		Lampade (Ta=25°C)	
wattage	colour	weight	code	Kelvin - $\phi$ lm - Ra	
CDM-T Elite 100	white	2,60	22800912-00	3000K - 11000 lm - Ra 90	
CDM-T Elite 100	black	2,60	22800932-00		
CDM-T Elite 100	m. silver	2,60	22800972-00		



**Reflector:** in oxidized and faceted matt aluminium  
**Diffuser:** protection clear tempered glass.

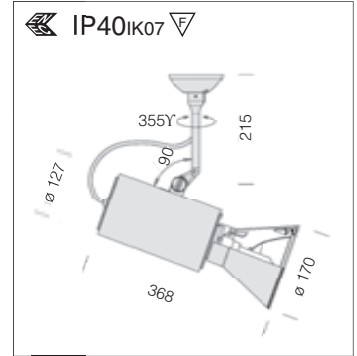
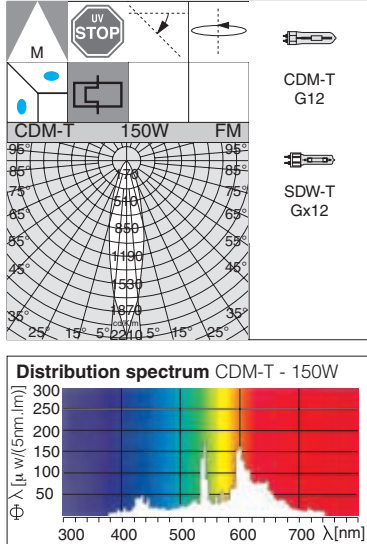
CDM Elite Lamps: suitable for shopping centres, ideal for enhancing the goods displayed.  
 - Maintenance cost reduction  
 - 10% increase in energy efficiency in contrast with traditional lamps  
 - Excellent colour rendering (Ra 90)  
 - Improved light levels (twice as powerful)



Vision D+N - wide beam					
		CELL		Lamps (Ta=25°C)	
wattage	colour	weight	code	Kelvin - h - $\phi$ lm - Ra	
CDM-T Elite 70	m. silver	2,60	22800776-00	3000K - 7300 lm - Ra 90	
CDM-T Elite 70	black	2,60	22800736-00		
CDM-T Elite 70	white	2,60	22800716-00		
Supplied with electronic gear.					

Vision D+N - wide beam					
		CELL		Lampade (Ta=25°C)	
wattage	colour	weight	code	Kelvin - $\phi$ lm - Ra	
CDM-T Elite 100	white	2,60	22800913-00	3000K - 11000 lm - Ra 90	
CDM-T Elite 100	black	2,60	22800933-00		
CDM-T Elite 100	m. silver	2,60	22800973-00		



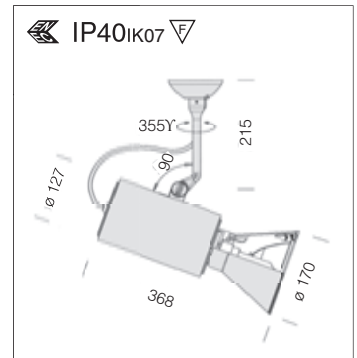
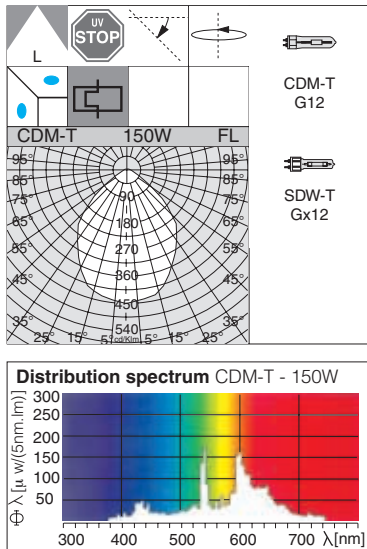


**Reflector:** in oxidized aluminium with semi-spherical facets.  
**Diffuser:** protection clear tempered glass.

CDM Elite Lamps: suitable for shopping centres, ideal for enhancing the goods displayed.  
 - Maintenance cost reduction  
 - 10% increase in energy efficiency in contrast with traditional lamps  
 - Excellent colour rendering (Ra 90)  
 - Improved light levels (twice as powerful)

Vision E+N - medium beam				
		CELL		Lamps (Ta=25°C)
wattage	colour	weight	code	Kelvin - h - ølm - Ra
CDM-T Elite 150	m. silver	3,00	22800873-00	3000K - 15000 lm - Ra 90
CDM-T Elite 150	black	3,00	22800833-00	
CDM-T Elite 150	white	3,00	22800813-00	
SDW-T 100	m. silver	2,90	22800875-00	2550K - 4900 lm - Ra 1b
SDW-T 100	black	2,90	22800835-00	
SDW-T 100	white	2,90	22800815-00	

Supplied with electronic gear.

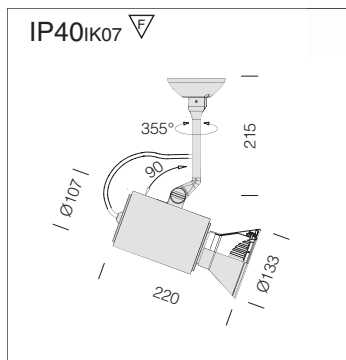


**Reflector:** in oxidized and faceted matt aluminium  
**Diffuser:** protection clear tempered glass.

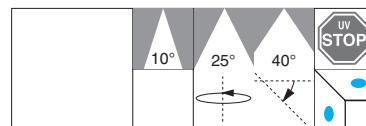
CDM Elite Lamps: suitable for shopping centres, ideal for enhancing the goods displayed.  
 - Maintenance cost reduction  
 - 10% increase in energy efficiency in contrast with traditional lamps  
 - Excellent colour rendering (Ra 90)  
 - Improved light levels (twice as powerful)

Vision E+N - wide beam				
		CELL		Lamps (Ta=25°C)
wattage	colour	weight	code	Kelvin - h - ølm - Ra
CDM-T Elite 150	m. silver	3,00	22800876-00	3000K - 15000 lm - Ra 90
CDM-T Elite 150	black	3,00	22800836-00	
CDM-T Elite 150	white	3,00	22800816-00	
SDW-T 100	m. silver	2,90	22800878-00	2550K - 4900lm - Ra 1b
SDW-T 100	black	2,90	22800838-00	
SDW-T 100	white	2,90	22800818-00	

Supplied with electronic gear.



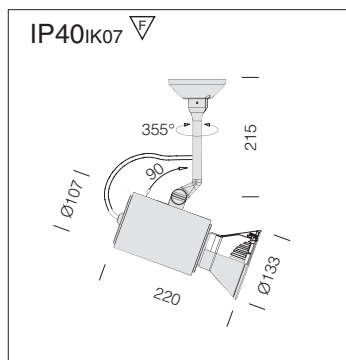
**LED:** high efficiency Esaled type, with heat sink, longer working life, Ra 80 index.



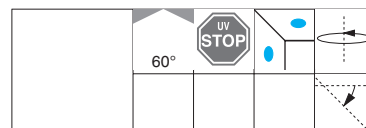
INTERIOR FLOODLIGHTS

**Vision G+N ESALED**

wattage/W 700mA	colour	CLD CELL		W tot.	LED (Ta=25°C)		
		weight	code		K - ølm (700mA) - degrees	CLD-CELL code	LED (Ta=25°C) K - ølm (700mA) - degrees
<b>ESALED</b>	white	2,60	22801914-00	<b>16,8</b>	3000 K - 890 lm - 10°	22801910-00	4000 K - 1020 lm - 10°
	black		22801934-00			22801930-00	
	m. silver		22801974-00			22801970-00	
<b>ESALED</b>	white	2,60	22801915-00	<b>16,8</b>	3000 K - 890 lm - 25°	22801911-00	4000 K - 1020 lm - 25°
	black		22801935-00			22801931-00	
	m. silver		22801975-00			22801971-00	
<b>ESALED</b>	white	2,60	22801916-00	<b>16,8</b>	3000 K - 890 lm - 40°	22801912-00	4000 K - 1020 lm - 40°
	black		22801936-00			22801932-00	
	m. silver		22801976-00			22801972-00	



**LED:** high efficiency Esaled type, with heat sink, longer working life, Ra 80 index.



**Vision G+N ESALED 60°**

wattage/W 700mA	colour	CLD CELL		W tot.	LED (Ta=25°C)	
		poids	code		K - ølm (700mA) - degrees	
<b>ESALED</b>	white	2,60	22801917-00	<b>16,8</b>	3000 K - 890 lm - 60°	
	black		22801937-00			
	m. silver		22801977-00			
<b>ESALED</b>	white	2,60	22801913-00	<b>16,8</b>	4000 K - 1020 lm - 60°	
	black		22801933-00			
	m. silver		22801973-00			