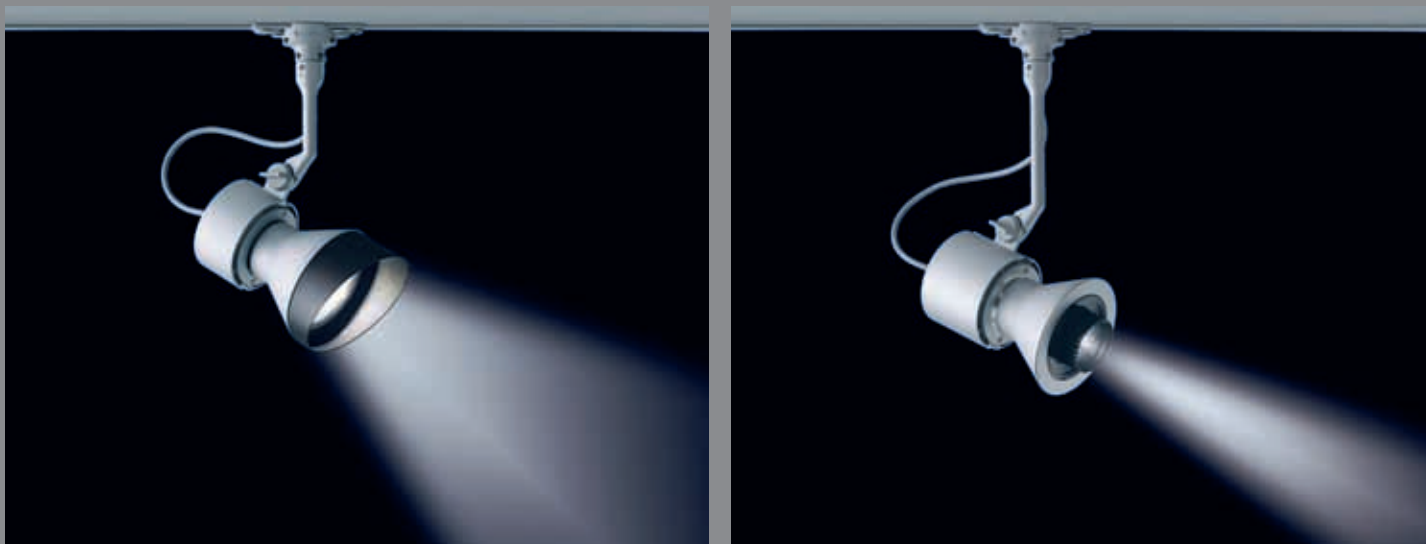


Vision is a family of floodlights covering the widest range of sources and lighting design needs for perfect optical control of the light beams. A series of fixtures designed to satisfy the most widely differing architectural lighting and display needs, with performance in mind and using the most innovative light sources to ensure excellent visual comfort.

The highest performance components are contained in an extruded aluminium housing with through chambers which permit optimised heat exchange by conductive and convective dispersion thus increasing the performance and reliability of the floodlights. The movable L-shaped supporting rod permits optimised balancing of the fixture whatever its configuration.

The direction can be precisely controlled and the light beam accurately aimed using the radial micrometric scale. Modern lighting design increasingly often demands excellent aesthetic results.

When a product maintains the same aesthetic design, it becomes increasingly important to have various types of light source to choose from. Vision has thus been created to satisfy any need. In fact, a single housing guarantees application continuity even when using different optical units and lamps, and is ideal for use in places where - when accent lighting is required - the quality of the light output must be differentiated.





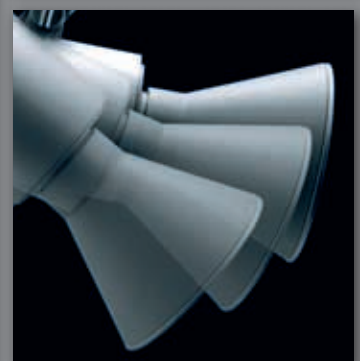
Housing: Die-cast aluminium with cooling vents.

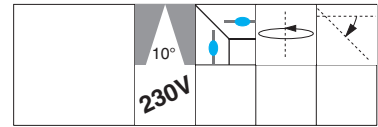
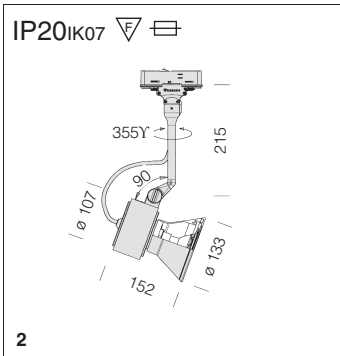
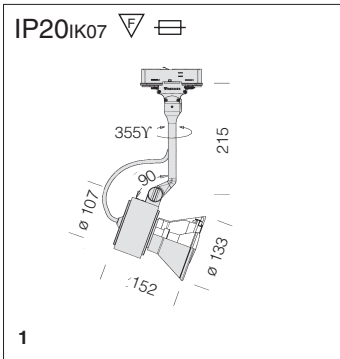
Reflector: Oxidised polished aluminium for the version equipped with lamps without reflector.

Coating: Power-coated with a UV-resistant polyester epoxy paint.

Lampholder: Ceramic with silver-plated contacts, or PBT with phosphorous bronze contacts.

Regulations: Manufactured in accordance with EN 60598-1-CEI 34.21 standards. Degree of protection in accordance with EN60529 standards.



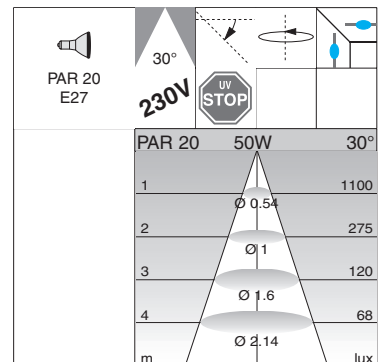
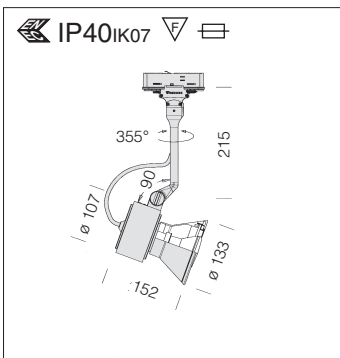


Vision A+M POWER LED - beam 10° (fig. 1)							
		CLD CTL-F		LED (Ta=25°C)			
wattage	colour	weight	code	W tot.	K	ølm	beam angle
LED white 3x1,2W	m. silver	1,10	22700079-00	3,5	6000	321	10°
LED white 3x1,2W	m. silver	1,10	22700072-00	3,5	4000	282	10°
LED white 3x1,2W	m. silver	1,10	22700074-00	3,5	3000	242	10°

LED: supplied with triple LED light, 1.2W each 350mA (warm colour also available). 10° beam.

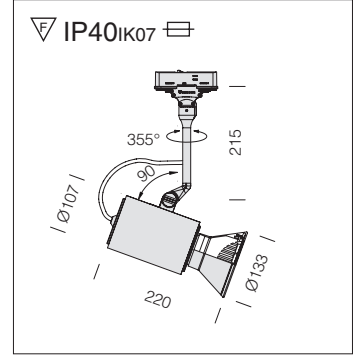
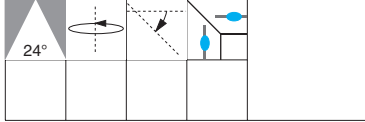
LED: supplied with LED module, 2.5W, works with mains voltage. 10° beam.

Vision A+M POWER LED - beam 10° - 230 V (fig. 2)							
		CLD SL-F		LED (Ta=25°C)			
wattage	colour	weight	code	W tot.	K	cd	beam angle
LED white 1x2,5W	m. silver	1,10	22700078-00	2,5	5000	120	10°
LED blue 1x2,5W	m. silver	1,10	22700078-71	2,5		120	10°
LED red 1x2,5W	m. silver	1,10	22700078-72	2,5		120	10°
LED yellow 1x2,5W	m. silver	1,10	22700078-73	2,5		120	10°
LED green 1x2,5W	m. silver	1,10	22700078-74	2,5		120	10°



Vision A+M							
		CNL-F		Lamps (Ta=25°C)			
wattage	colour	weight	code	Kelvin - h - ølm			
PAR20 50	m. silver	1,10	22700073-00	3000K - 2000h - 850cd - 30°			
PAR20 50	black	1,10	22700033-00				
PAR20 50	white	1,10	22700013-00				

Supplied with PAR 20 lamp. Mains voltage operation.

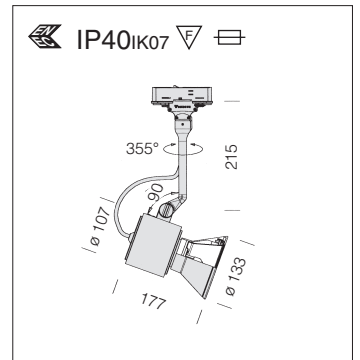
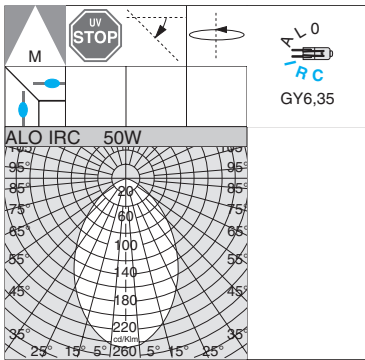


Equipped with SpotLED111 lamp, 7 LED lights, 12W, and electronic transformer. The lamp can be pointed in any direction at 360°. The LED lights do not come with ultraviolet and infrared components.

On request: narrow (8°) and wide (40°) beam angle.

Vision B+M SPOTLED							
		CLD CELL-F		LED (Ta=25°C)			
wattage/W (500mA)	color	weight	code	W tot.	K	ølm 500mA	degrees
SPOTLED111 12W	m. silver	1,60	22700272-00	12	4200	765	26°
SPOTLED111 12W	black	1,60	22700232-00	12	4200	765	26°
SPOTLED111 12W	white	1,60	22700212-00	12	4200	765	26°

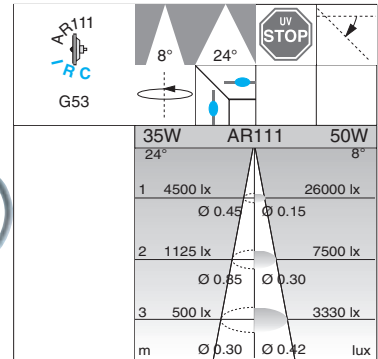
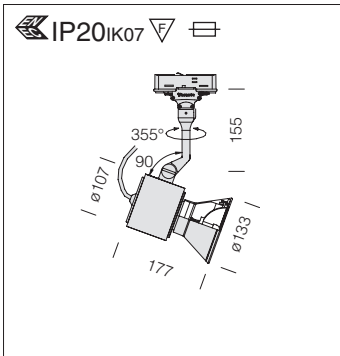
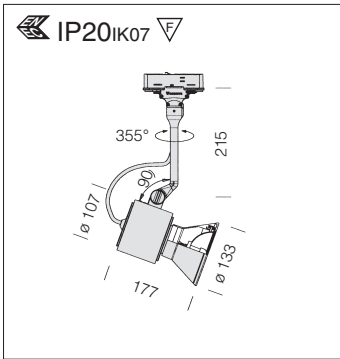
Vision B+M SPOTLED							
		CLD CELL-F		LED (Ta=25°C)			
wattage/W (500mA)	color	weight	code	W tot.	K	ølm 500mA	degrees
SPOTLED111 12W	m. silver	1,60	22700272-00	12	3000	700	26°
SPOTLED111 12W	black	1,60	22700232-00	12	3000	700	26°
SPOTLED111 12W	white	1,60	22700212-00	12	3000	700	26°



Diffuser: protection matt tempered glass.

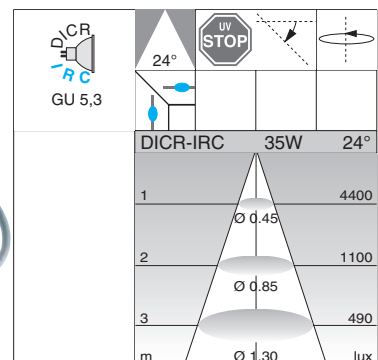
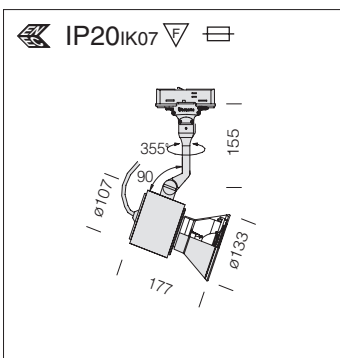
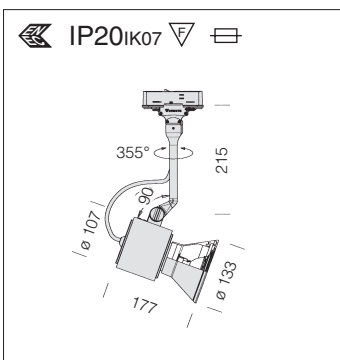
Vision B+M					
		CTL-F		Lamps (Ta=25°C)	
wattage	colour	weight	code	Kelvin - h - ølm	
ALO-IRC 50	m. silver	1,60	22700172-00	3000K - 4000h - 1080 lm	
ALO-IRC 50	black	1,60	22700132-00		
ALO-IRC 50	white	1,60	22700112-00		

Supplied with transformer and IRC lamp = "ES" Energy saver



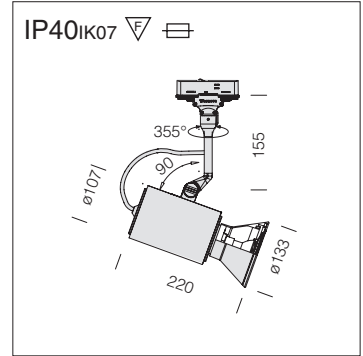
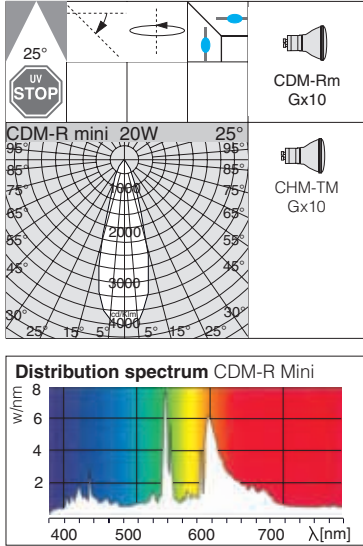
Vision B+M						
		CTL-F long version		CTL-F short version		Lamps (Ta=25°C)
wattage	colour	weight	code	weight	code	Kelvin - h - ølm
AR111-IRC 35	m. silver	1,20	22700274-00	1,10	22700278-00	3000K - 4000h - 4500cd - 24°
AR111-IRC 35	black	1,20	22700234-00	1,10	22700238-00	
AR111-IRC 35	white	1,20	22700214-00	1,10	22700218-00	
AR111-IRC 50	m. silver	1,20	22700273-00			3000K - 4000h - 5800cd - 8°
AR111-IRC 50	black	1,20	22700233-00			
AR111-IRC 50	white	1,20	22700213-00			

Supplied with transformer and IRC lamp = "ES" Energy saver



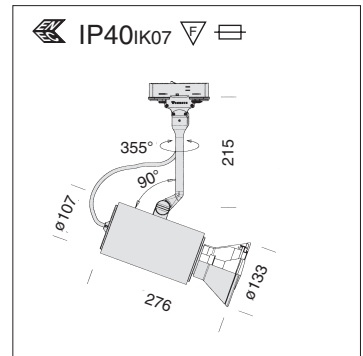
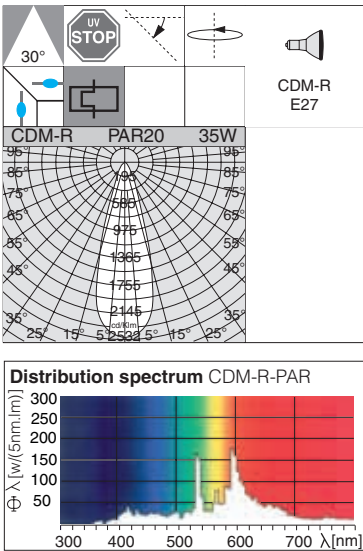
Vision B+M						
		CTL-F long version		CTL-F short version		Lampes (Ta=25°C)
wattage	colour	weight	code	weight	code	Kelvin - h - ølm
DICR-IRC 35	m. silver	1,20	22700376-00	1,10	22700379-00	3000K - 5000h - 4400cd - 24°
DICR-IRC 35	black	1,20	22700336-00	1,10	22700339-00	
DICR-IRC 35	white	1,20	22700316-00	1,10	22700319-00	

Supplied with transformer and IRC lamp = "ES" Energy saver



CDM-R Mini lamps enable to save energy up to 60% in contrast with halogen lamp systems. Superior light output and perfect colour stability.

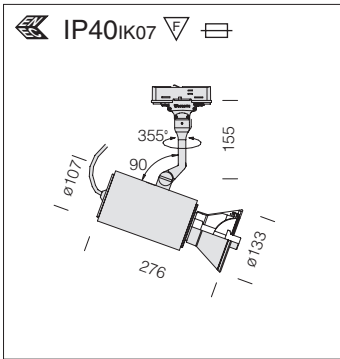
Vision B+M				
		CELL-F		Lamps (Ta=25°C)
wattage/W	color	weight	code	Kelvin - ølm - Ra
CDM-R Mini 20	white	1,40	22700211-00	3000K - 1080 lm - Ra1b - 25°
CDM-R Mini 20	black	1,40	22700231-00	
CDM-R Mini 20	m. silver	1,40	22700271-00	
CDM-R mini 35	white	1,40	22700216-00	3000K - 2200 lm - Ra1b - 25°
CDM-R mini 35	black	1,40	22700236-00	
CDM-R mini 35	m. silver	1,40	22700276-00	



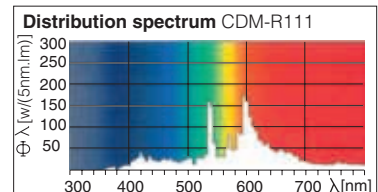
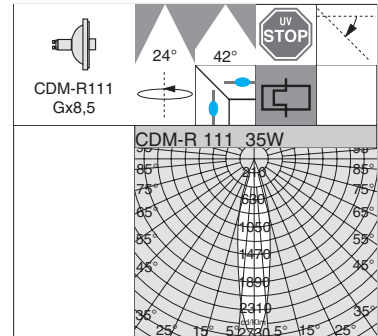
CDM-R lamps are designed for decorative illumination and expositions. The energy consumption and heat production are reduced by at least 66%. Lamps life is up to 4 times more than using a halogen lamp (11000h average life).

Vision C+M				
		CELL-F		Lamps (Ta=25°C)
wattage	colour	weight	code	Kelvin - h - ølm - Ra
CDM-R-PAR 20 35	m. silver	2,00	22700677-00	3000K - 1950 lm - Ra 1b - 30°
CDM-R-PAR 20 35	black	2,00	22700637-00	
CDM-R-PAR 20 35	white	2,00	22700617-00	

Supplied with electronic gear and lamp CDM-R-PAR 20.

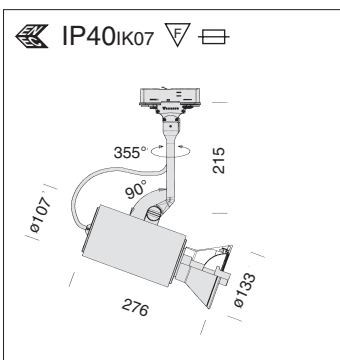


CDM-R lamps are designed for decorative illumination and expositions. The energy consumption and heat production are reduced by at least 66%. Lamps life is up to 4 times more than using a halogen lamp (11000h average life).

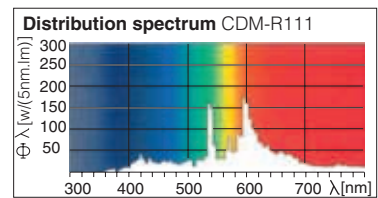
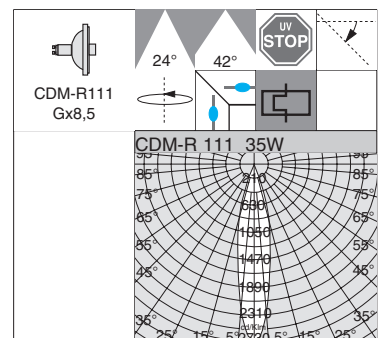


Vision C+M CELL-F short version				
		CELL-F		Lamps (Ta=25°C)
wattage	colour	weight	code	Kelvin - h - ølm - Ra
CDM-R111 35	m. silver	1,90	22700574-00	3000K - 8500cd - Ra 1b - 24°
CDM-R111 35	black	1,90	22700534-00	
CDM-R111 35	white	1,90	22700514-00	
CDM-R111 70	m. silver	1,90	22700578-00	3000K - 15000cd - Ra 1b - 42°
CDM-R111 70	black	1,90	22700538-00	
CDM-R111 70	white	1,90	22700518-00	

Supplied with electronic gear and CDM-R111 lamp.



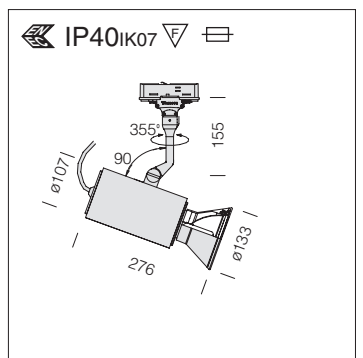
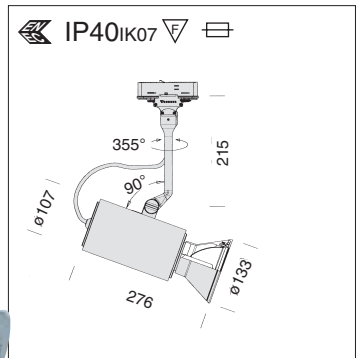
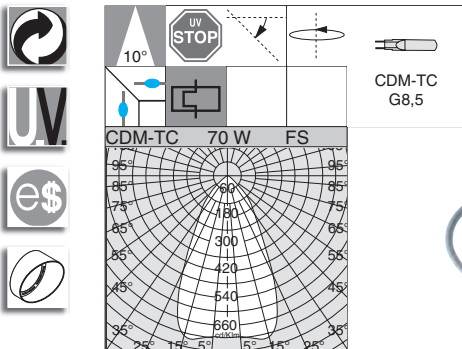
CDM-R lamps are designed for decorative illumination and expositions. The energy consumption and heat production are reduced by at least 66%. Lamps life is up to 4 times more than using a halogen lamp (11000h average life).



Vision C+M long version				
		CELL-F		Lamps (Ta=25°C)
wattage	colour	weight	code	Kelvin - h - ølm - Ra
CDM-R111 35	m. silver	2,00	22700571-00	3000K - 8500cd - Ra 1b - 24°
CDM-R111 35	black	2,00	22700531-00	
CDM-R111 35	white	2,00	22700511-00	
CDM-R111 70	m. silver	2,00	22700572-00	3000K - 15000cd - Ra 1b - 42°
CDM-R111 70	black	2,00	22700532-00	
CDM-R111 70	white	2,00	22700512-00	

Supplied with electronic gear and CDM-R111 lamp.



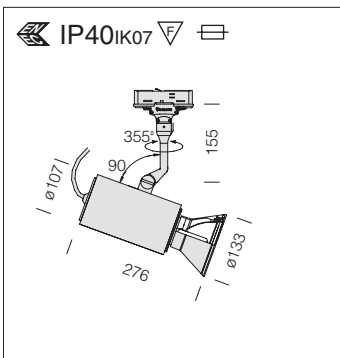
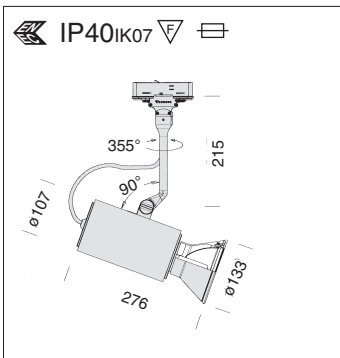


Vision C+M - FS						
		CELL-F long version		CELL-F short version		Lamps (Ta=25°C)
wattage	colour	weight	code	weight	code	Kelvin - ølm - Ra
CDM-TC Elite 35	white	2,00	22700613-00	1,90	22700616-00	3000K - 3500 lm Ra 90 - 10°
CDM-TC Elite 35	black	2,00	22700633-00	1,90	22700636-00	
CDM-TC Elite 35	m. silver	2,00	22700673-00	1,90	22700676-00	
CDM-TC Elite 70	white	2,00	22700619-00	1,90	22700618-00	3000K - 7300 lm Ra 90 - 10°
CDM-TC Elite 70	black	2,00	22700639-00	1,90	22700638-00	
CDM-TC Elite 70	m. silver	2,00	22700679-00	1,90	22700678-00	

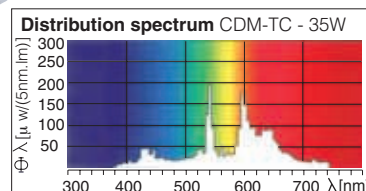
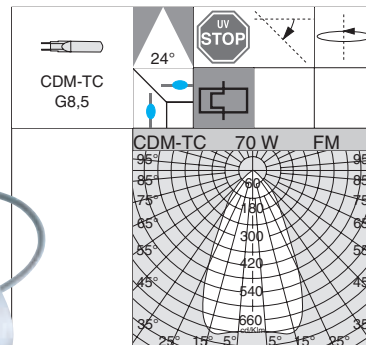
CDM Elite Lamps: suitable for shopping centres, ideal for enhancing the goods displayed.

- Maintenance cost reduction
- 10% increase in energy efficiency in contrast with traditional lamps
- Excellent colour rendering (Ra 90)
- Improved light levels (twice as powerful)

Reflector: in oxidized and faceted aluminium
Diffuser: protection clear tempered glass.
 Supplied with electronic ballast.

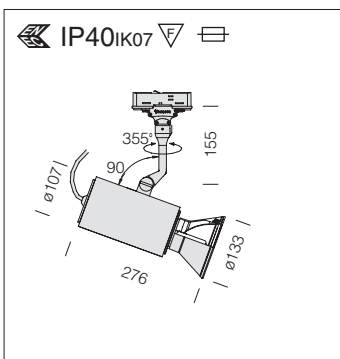
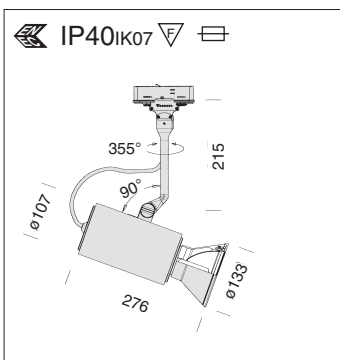


Reflector: in oxidized aluminium with semi-spherical facets.
Diffuser: protection clear tempered glass.
 Supplied with electronic ballast.

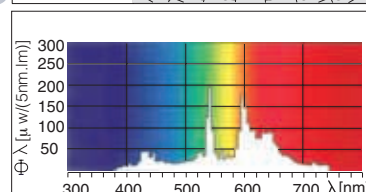
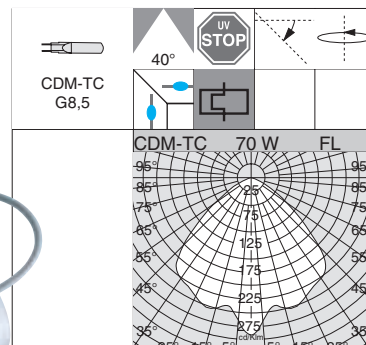


Vision C+M - FM						
		CELL-F long version		CELL-F short version		Lamps (Ta=25°C)
wattage	colour	weight	code	weight	code	Kelvin - h - ølm - Ra
CDM-TC Elite 35	m. silver	2,00	22700573-00	1,90	22700576-00	3000K - 3500 lm Ra 90 - 24°
CDM-TC Elite 35	black	2,00	22700533-00	1,90	22700536-00	
CDM-TC Elite 35	white	2,00	22700513-00	1,90	22700516-00	
CDM-TC Elite 70	m. silver	2,00	22700575-00	1,90	22700577-00	3000K - 7300 lm Ra 90 - 24°
CDM-TC Elite 70	black	2,00	22700535-00	1,90	22700537-00	
CDM-TC Elite 70	white	2,00	22700515-00	1,90	22700517-00	

Supplied with electronic gear.
CDM Elite Lamps: suitable for shopping centres, ideal for enhancing the goods displayed.
 - Maintenance cost reduction
 - 10% increase in energy efficiency in contrast with traditional lamps
 - Excellent colour rendering (Ra 90)
 - Improved light levels (twice as powerful)



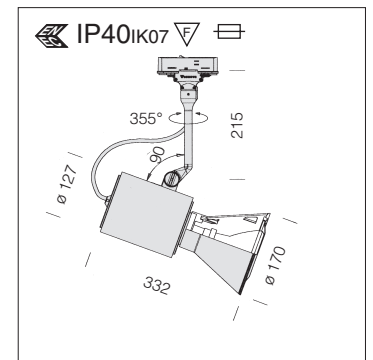
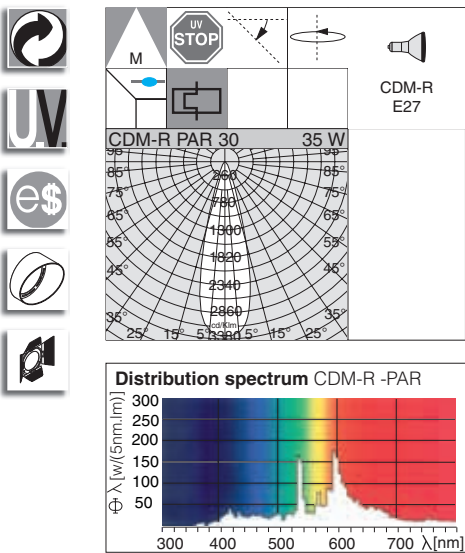
Reflector: in oxidized and faceted matt aluminium
Diffuser: protection clear tempered glass.
 Supplied with electronic ballast.



Vision C+M - FL						
		CELL-F long version		CELL-F short version		Lamps (Ta=25°C)
wattage	colour	weight	code	weight	code	Kelvin - ølm - Ra
CDM-TC Elite 35	white	2,00	22700611-00	1,90	22700615-00	3000K - 3500 lm Ra 90 - 40°
CDM-TC Elite 35	black	2,00	22700631-00	1,90	22700635-00	
CDM-TC Elite 35	m. silver	2,00	22700671-00	1,90	22700675-00	
CDM-TC Elite 70	white	2,00	22700612-00	1,90	22700614-00	3000K - 7300 lm Ra 90 - 40°
CDM-TC Elite 70	black	2,00	22700632-00	1,90	22700634-00	
CDM-TC Elite 70	m. silver	2,00	22700672-00	1,90	22700674-00	

CDM Elite Lamps: suitable for shopping centres, ideal for enhancing the goods displayed.
 - Maintenance cost reduction
 - 10% increase in energy efficiency in contrast with traditional lamps
 - Excellent colour rendering (Ra 90)
 - Improved light levels (twice as powerful)

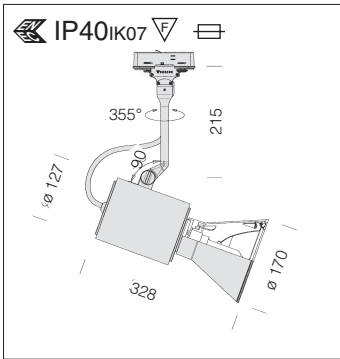




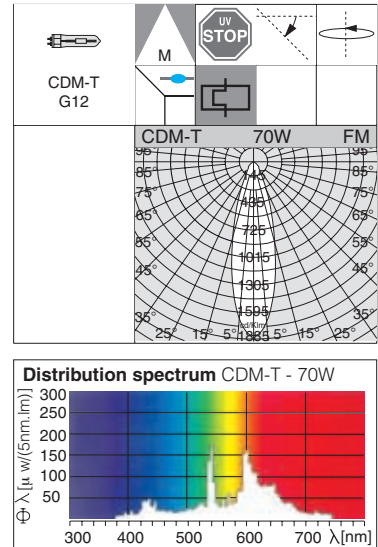
CDM-R lamps are designed for decorative illumination and expositions. The energy consumption and heat production are reduced by at least 66%. Lamps life is up to 4 times more than using a halogen lamp (11000h average life).

Vision D+N				
		CELL-F		Lamps (Ta=25°C)
wattage	colour	weight	code	Kelvin - h - olm - Ra
CDM-R-PAR30 35	m. silver	2,60	22700970-00	3000K - 2200 lm - Ra 1b
CDM-R-PAR30 35	black	2,60	22700930-00	
CDM-R-PAR30 35	white	2,60	22700910-00	
CDM-R-PAR30 70	m. silver	2,60	22700971-00	3000K - 4300 lm - Ra 1b
CDM-R-PAR30 70	black	2,60	22700931-00	
CDM-R-PAR30 70	white	2,60	22700911-00	

Supplied with electronic gear and CDM-R PAR30 lamp.



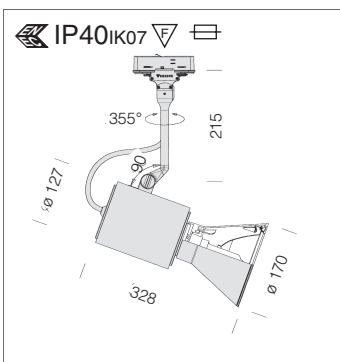
Reflector: in oxidized aluminium with semi-spherical facets.
Diffuser: protection clear tempered glass.
 CDM Elite Lamps: suitable for shopping centres, ideal for enhancing the goods displayed.
 - Maintenance cost reduction
 - 10% increase in energy efficiency in contrast with traditional lamps
 - Excellent colour rendering (Ra 90)
 - Improved light levels (twice as powerful)



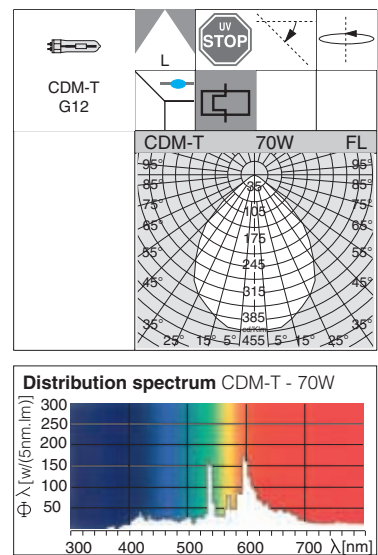
Vision D+N - medium beam				
		CELL-F		Lamps (Ta=25°C)
wattage	colour	weight	code	Kelvin - h - ølm - Ra
CDM-T Elite 70	m. silver	2,60	22700774-00	3000K - 7300 lm - Ra 90
CDM-T Elite 70	black	2,60	22700734-00	
CDM-T Elite 70	white	2,60	22700714-00	

Supplied with electronic gear.

Vision D+N - medium beam				
		CELL-F		Lampade (Ta=25°C)
wattage	colour	weight	code	Kelvin - ølm - Ra
CDM-T Elite 100	white	2,60	22700912-00	3000K - 11000 lm - Ra 90
CDM-T Elite 100	black	2,60	22700932-00	
CDM-T Elite 100	m. silver	2,60	22700972-00	



Reflector: in oxidized and faceted matt aluminium
Diffuser: protection clear tempered glass.
 CDM Elite Lamps: suitable for shopping centres, ideal for enhancing the goods displayed.
 - Maintenance cost reduction
 - 10% increase in energy efficiency in contrast with traditional lamps
 - Excellent colour rendering (Ra 90)
 - Improved light levels (twice as powerful)

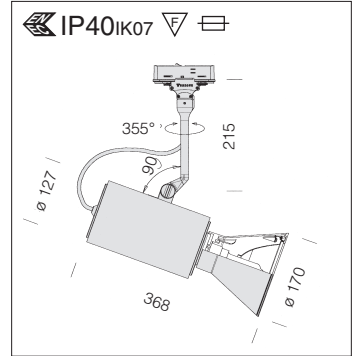
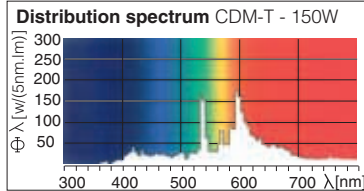
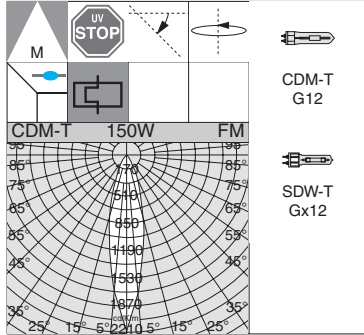


Vision D+N - wide beam				
		CELL-F		Lamps (Ta=25°C)
wattage	colour	weight	code	Kelvin - h - ølm - Ra
CDM-T Elite 70	m. silver	2,60	22700776-00	3000K - 7300 lm - Ra 90
CDM-T Elite 70	black	2,60	22700736-00	
CDM-T Elite 70	white	2,60	22700716-00	

Supplied with electronic gear.

Vision D+N - wide beam				
		CELL-F		Lamps (Ta=25°C)
wattage	colour	weight	code	Kelvin - ølm - Ra
CDM-T Elite 100	white	2,60	22700913-00	3000K - 11000 lm - Ra 90
CDM-T Elite 100	black	2,60	22700933-00	
CDM-T Elite 100	m. silver	2,60	22700973-00	



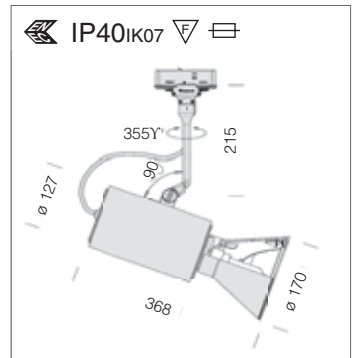
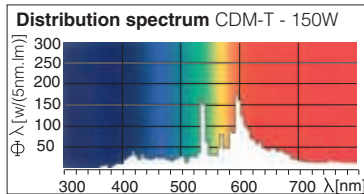
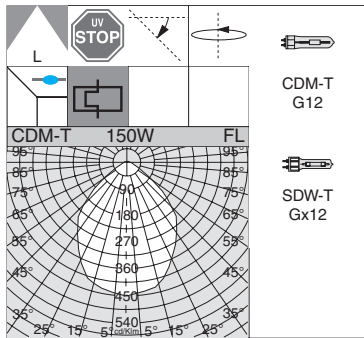


Reflector: in oxidized aluminium with semi-spherical facets.
Diffuser: protection clear tempered glass.

CDM Elite Lamps: suitable for shopping centres, ideal for enhancing the goods displayed.
 - Maintenance cost reduction
 - 10% increase in energy efficiency in contrast with traditional lamps
 - Excellent colour rendering (Ra 90)
 - Improved light levels (twice as powerful)

Vision E+N - medium beam				
		CELL-F		Lamps (Ta=25°C)
wattage	colour	weight	code	Kelvin - h - ølm - Ra
CDM-T Elite 150	m. silver	2,90	22700873-00	3000K - 15000 lm - Ra 90
CDM-T Elite 150	black	2,90	22700833-00	
CDM-T Elite 150	white	2,90	22700813-00	
SDW-T 100	m. silver	2,80	22700875-00	2550K - 4900 lm - Ra 1b
SDW-T 100	black	2,80	22700835-00	
SDW-T 100	white	2,80	22700815-00	

Supplied with electronic gear.

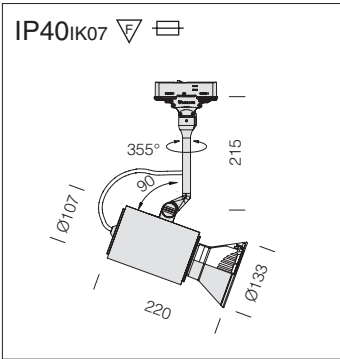


Reflector: in oxidized and faceted matt aluminium
Diffuser: protection clear tempered glass.

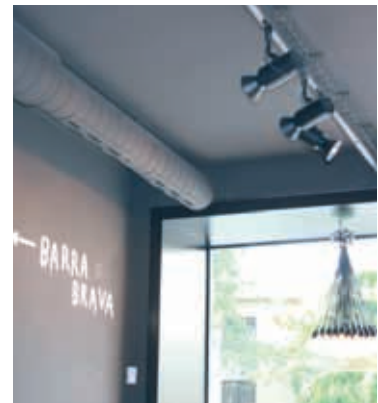
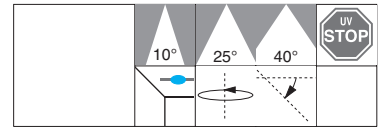
CDM Elite Lamps: suitable for shopping centres, ideal for enhancing the goods displayed.
 - Maintenance cost reduction
 - 10% increase in energy efficiency in contrast with traditional lamps
 - Excellent colour rendering (Ra 90)
 - Improved light levels (twice as powerful)

Vision E+N - wide beam				
		CELL-F		Lamps (Ta=25°C)
wattage	colour	weight	code	Kelvin - h - ølm - Ra
CDM-T Elite 150	m. silver	2,90	22700876-00	3000K - 15000 lm - Ra 90
CDM-T Elite 150	black	2,90	22700836-00	
CDM-T Elite 150	white	2,90	22700816-00	
SDW-T 100	m. silver	2,80	22700878-00	2550K - 4900 lm - Ra 1b
SDW-T 100	black	2,80	22700838-00	
SDW-T 100	white	2,80	22700818-00	

Supplied with electronic gear.

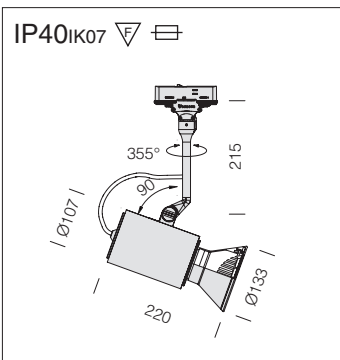


LED: high efficiency Esealed type, with heat sink, longer working life, Ra 80 index.

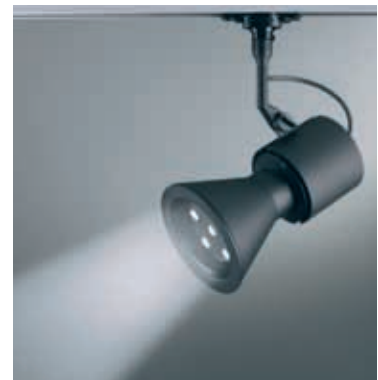
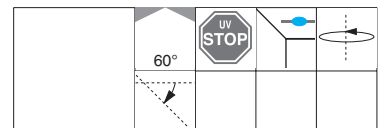


Vision G+N

wattage/W 700mA	colour	CLD CELL-F		W tot.	LED (Ta=25°C)		CLD CELL-F	LED (Ta=25°C)	
		weight	code		K - ølm (700mA) - degrees	code		K - ølm (700mA) - degrees	
ESALED	white	2,60	22701914-00	16,8	3000 K - 890 lm - 10°		22701910-00	4000 K - 1020 lm - 10°	
	black		22701934-00				22701930-00		
	m. silver		22701974-00				22701970-00		
ESALED	white	2,60	22701915-00	16,8	3000 K - 890 lm - 25°		22701911-00	4000 K - 1020 lm - 25°	
	black		22701935-00				22701931-00		
	m. silver		22701975-00				22701971-00		
ESALED	white	2,60	22701916-00	16,8	3000 K - 890 lm - 40°		22701912-00	4000 K - 1020 lm - 40°	
	black		22701936-00				22701932-00		
	m. silver		22701976-00				22701972-00		



LED: high efficiency Esealed type, with heat sink, longer working life, Ra 80 index.



Vision G+N

wattage/W 700mA	colour	CLD CELL-F		W tot.	LED (Ta=25°C)	
		weight	code		K - ølm (700mA) - degrees	
ESALED	white	2,60	22701917-00	16,8	3000 K - 890 lm - 60°	
	black		22701937-00			
	m. silver		22701977-00			
ESALED	white	2,60	22701913-00	16,8	4000 K - 1020 lm - 60°	
	black		22701933-00			
	m. silver		22701973-00			