





ADJUSTABLE RECESSED
DOWN LIGHTS



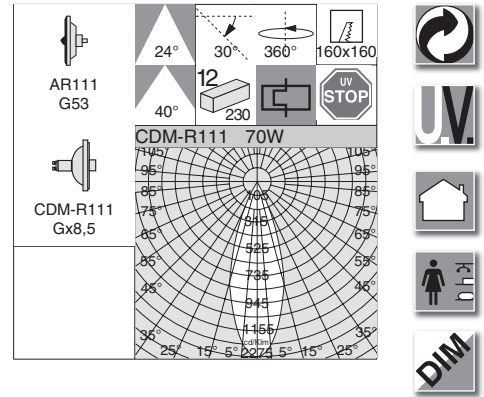
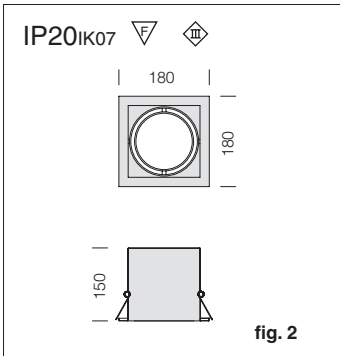
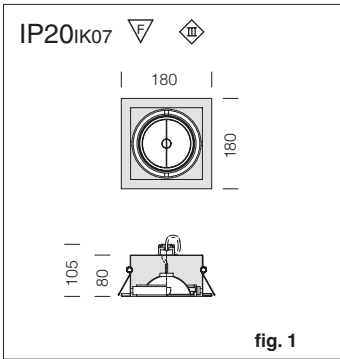
Housing: Made of sheet steel.

Coating: Fluid-coated with a humidity resistant, UV-stabilised acrylic-resin paint, interior part is black and the border is white.

Equipment: Complete with springs which guarantee perfect attachment to suspended ceiling from 1mm to 25 mm thick.

Terminal block: maximum allowed lead cross section 1,5mm².

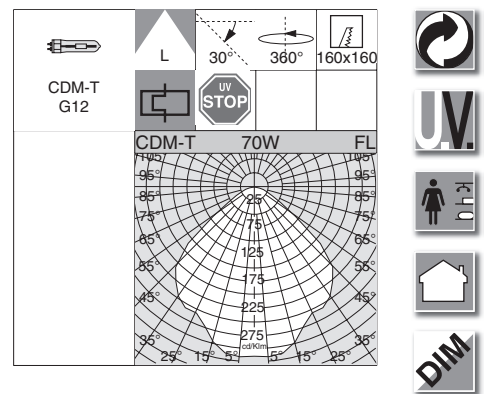
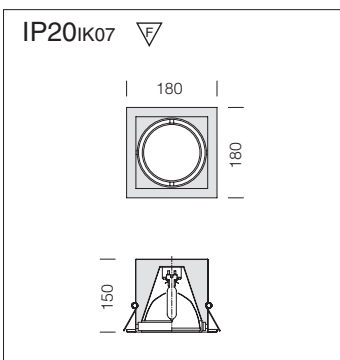
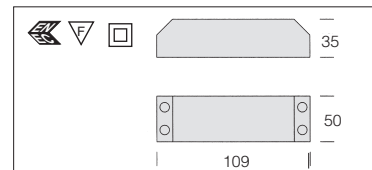




Store 1						
wattage	colour	S+L		CELL		Lamps (Ta=25°C)
		weight	code	weight	code	Kelvin - ølm - Ra
AR111 75 (fig.1)	white	0,90	22181210-00			3000K - 3000h - 5300cd
CDM-R111 70 (fig.2)	white				22181414-00	3000K - Ra 1b
CDM-R111 70 (fig.2)	m. silv.				22181474-00	15000cd - 40°

AR111 75W version: to be complete with transformer code 22090826-00 (105W).

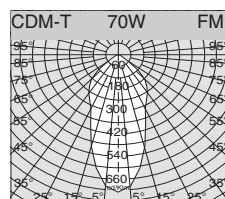
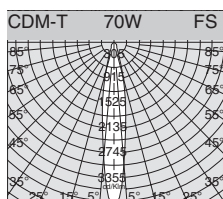
Dim. elec. transformer	
220-240/12V 105W	22090826-00



Equipped with electronic ballast for discharge lamps.

Reflector: prismatic and polished aluminium

Store 1					
wattage	colour	CELL		Lamps (Ta=25°C)	
		weight	code	Kelvin - Ra	ølm - Ra
CDM-T 35	white	1,50	22181219-00	3000K - 3300 lm - Ra 1b	
CDM-T 70	white	1,50	22181211-00		
CDM-T 70	m. silver	1,50	22181273-00	3000K - 6600 lm - Ra 1b	

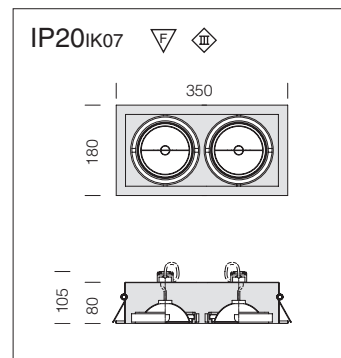


For the CDM-T versions narrow and medium beam are available on request.

AR111 75W 24°

1	30000 lx
2	8500 lx
3	4000 lx
m	lux

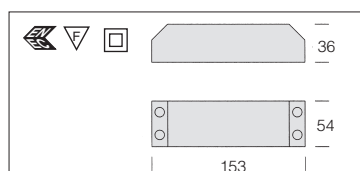
AR111 G53



Store 2				
		S+L		Lamps (Ta=25°C)
wattage	colour	weight	code	Kelvin - ølm - Ra
AR111 2x75	white	1,50	22181212-00	3000K - 3000h - 5300cd - 24°

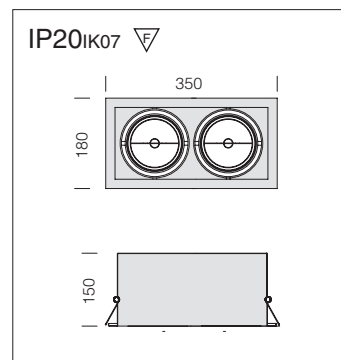
To be complete with transformer code 22090836-00 (150W).

Dim. elec. transformer	
220-240/12V 150W	22090836-00

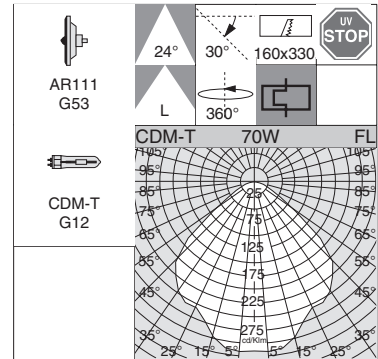
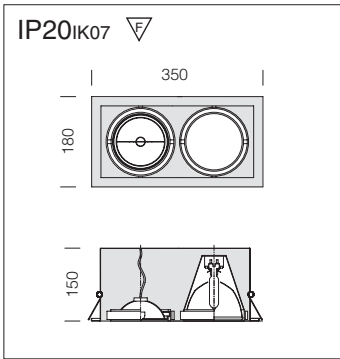


CDM-R111 70W

CDM-R111 Gx8,5

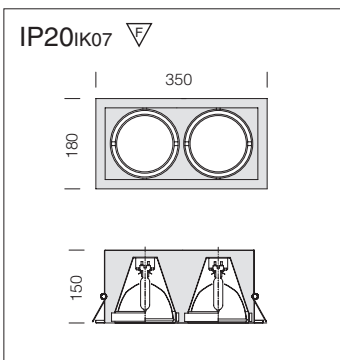


Store 2				
		CELL		Lamps (Ta=25°C)
wattage	colour	weight	code	Kelvin - ølm - Ra
CDM-R111 2x70	white	2,50	22181413-00	3000K - 15000cd - Ra1b - 42°
CDM-R111 2x70	m. silver	2,50	22181475-00	

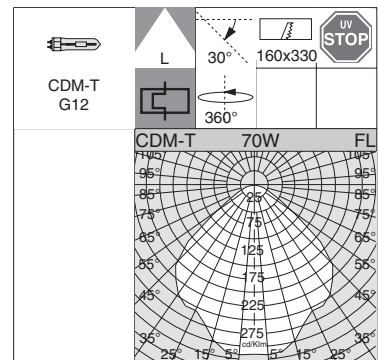


Store 2				
		CTL + CELL		Lamps (Ta=25°C)
wattage	colour	weight	code	Kelvin - ølm - Ra
AR11175 + CDM-T70	white	2,40	22181213-00	3000K-3000h-5300cd + 3000K-6600 lm-Ra 1b

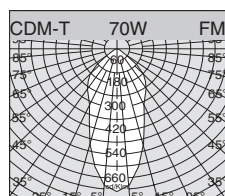
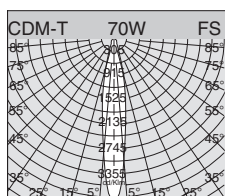
Complete with transformer for halogen lamps and electronic ballast for discharge lamps.



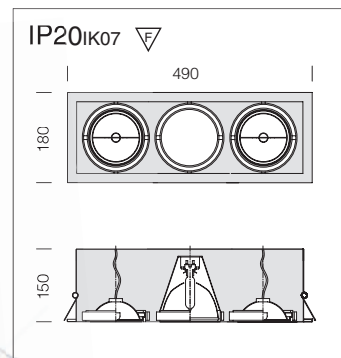
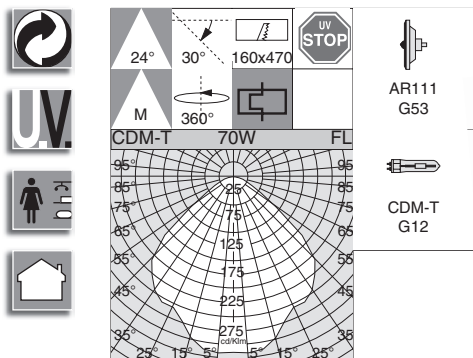
Complete with electronic ballast for discharge lamps.



Store 2				
		CELL		Lamps (Ta=25°C)
wattage	colour	weight	code	Kelvin - ølm - Ra
CDM-T 2x70	white	2,70	22181214-00	3000K - 6600 lm - Ra 1b
CDM-T 2x70	m. silver	2,70	22181274-00	3000K - 6600 lm - Ra 1b



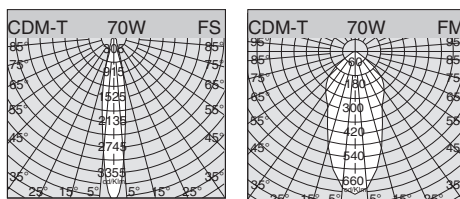
For the CDM-T versions narrow and medium beam are available on request.



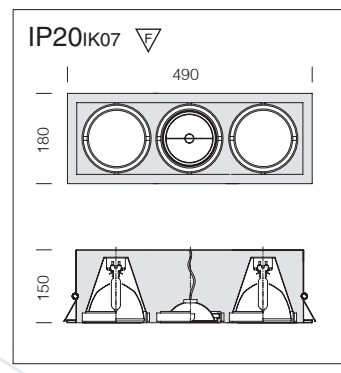
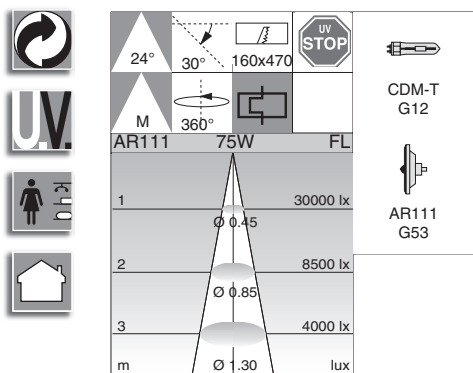
Reflector for CDM-T: prismatic and polished aluminium

Store 3				
		CTL + CELL		Lamps (Ta=25°C)
wattage	colour	weight	code	Kelvin - ølm - Ra
AR111 2x75 + CDM-T 70	white	3,00	22181215-00	3000K-3000h-5300cd + 3000K-6600 lm-Ra 1b
AR111 2x75 + CDM-T 70	s. silver	3,00	22181275-00	3000K-3000h-5300cd + 3000K-6600 lm-Ra 1b

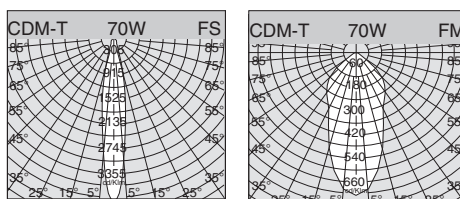
Complete with transformer and electronic ballast for discharge lamps.



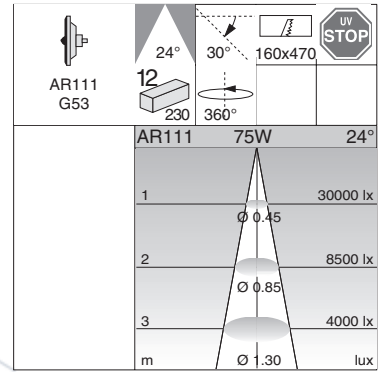
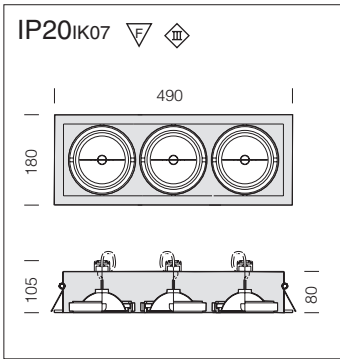
For the CDM-T versions narrow and medium beam are available on request.



Store 3				
		CTL + CELL		Lamps (Ta=25°C)
wattage	colour	weight	code	Kelvin - ølm - Ra
CDM-T 2x70 + AR111 75	white	3,00	22181217-00	3000K-6600 lm-Ra 1b + 3000K-3000h-5300cd
CDM-T 2x70 + AR111 75	s. silver	3,00	22181277-00	3000K-6600 lm-Ra 1b + 3000K-3000h-5300cd



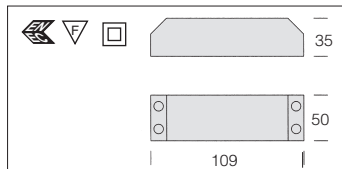
For the CDM-T versions narrow and medium beam are available on request.



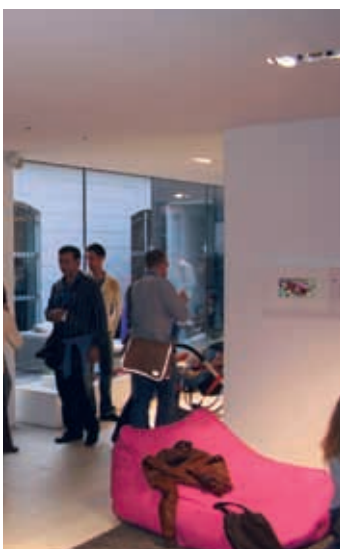
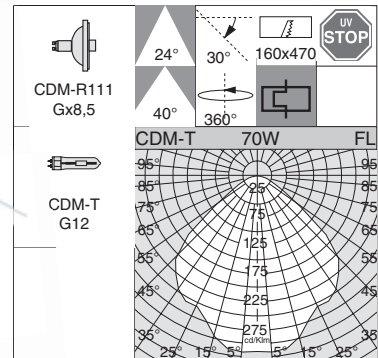
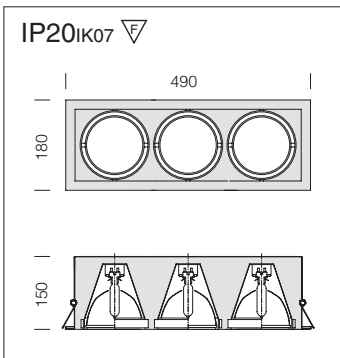
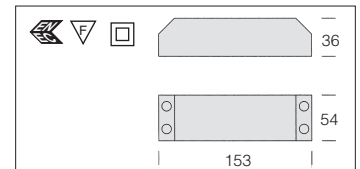
Store 3				Lamps (Ta=25°C)	
wattage	colour	weight	code	Kelvin - ølm - Ra	
AR111 3x75	white	2,10	22181216-00	3000K - 3000h - 5300cd	
AR111 3x75	s. silver	2,10	22181276-00	3000K - 3000h - 5300cd	

To be complete with transformers code 22090836-00 (150W) and code 22090826-00 (105W).

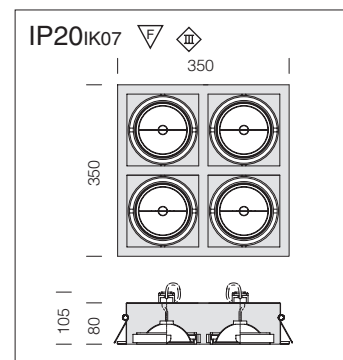
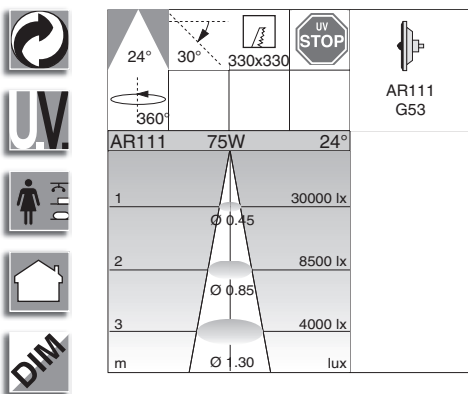
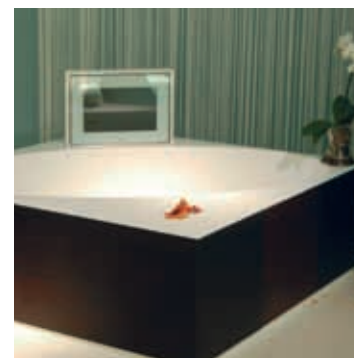
Dim. elec. transformer	
220-240/12V 105W	22090826-00



Dim. elec. transformer	
220-240/12V150W	22090836-00



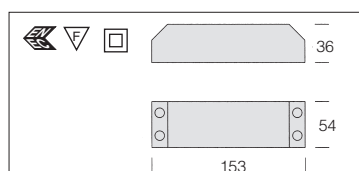
Store 3				Lamps (Ta=25°C)	
wattage	colour	weight	code	Kelvin - ølm - Ra	
CDM-T 3x70	white	2,10	22181218-00	3000K - 6600 lm - Ra 1b	
CDM-T 3x70	s. silver	2,10	22181278-00	3000K - 6600 lm - Ra 1b	
CDM-R111 3x70	white	2,10	22181415-00	3000K - 15000cd - Ra 1b - 40°	
CDM-R111 3x70	s. silver	2,10	22181476-00	3000K - 15000cd - Ra 1b - 40°	

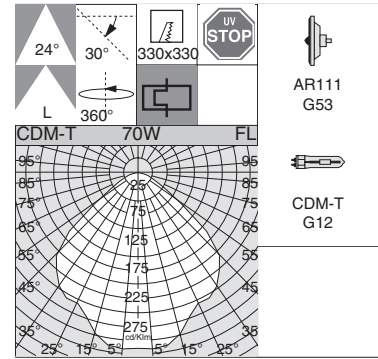
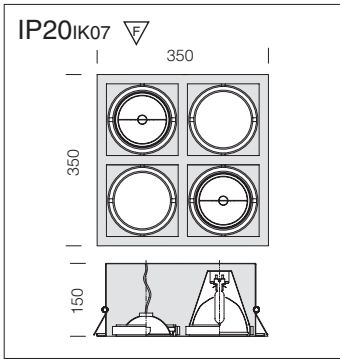


Store 4				
		S+L		Lamps (Ta=25°C)
wattage	colour	weight	code	Kelvin - ølm - Ra
AR111 4x75	white	3,10	22181310-00	3000K - 3000h - 5300cd - 24°

To be complete with 2 transformers code 22090836-00 (150W).

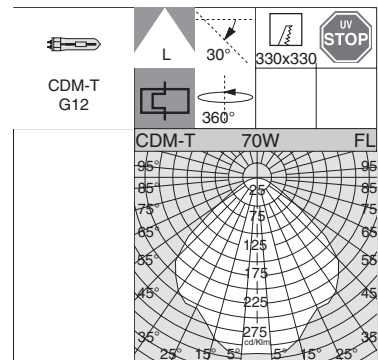
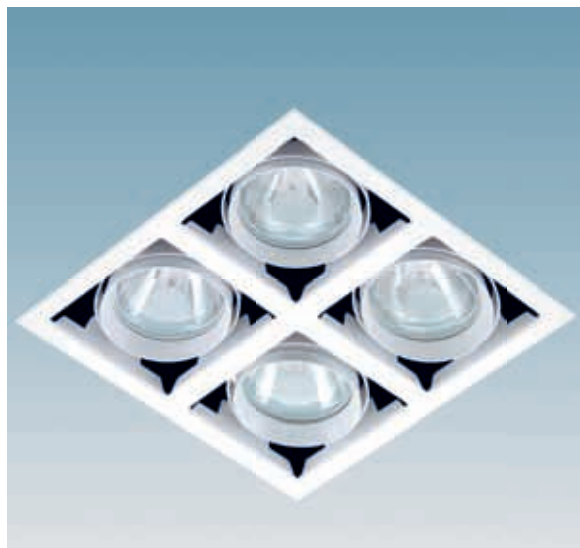
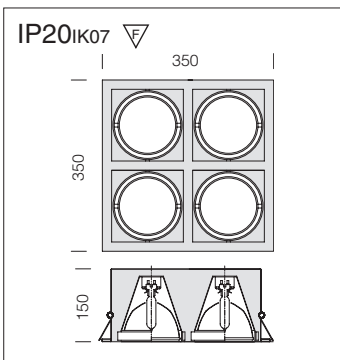
Dim. elec. transformer	
220-240/12V 150W	22090836-00





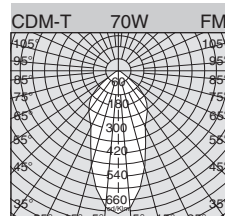
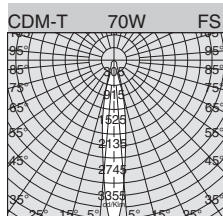
Store 4				
		CTL + CELL		Lamps (Ta=25°C)
wattage	colour	weight	code	Kelvin - ølm - Ra
AR111 2x75/CDM-T 2x70	white	4,80	22181311-00	3000K-3000h-5300cd + 3000K-6600lm-Ra 1b

Equipped with electronic ballast for discharge lamps.

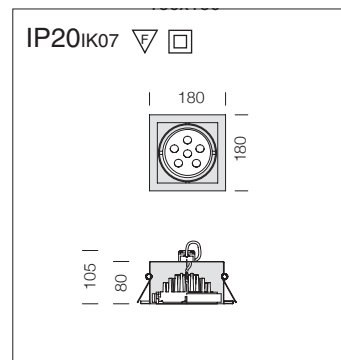
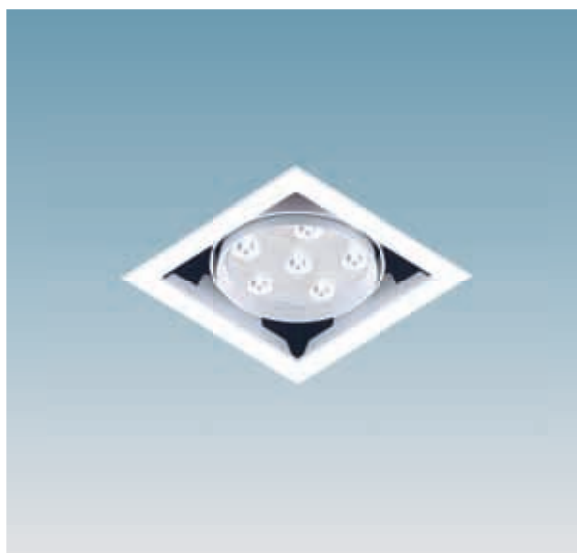
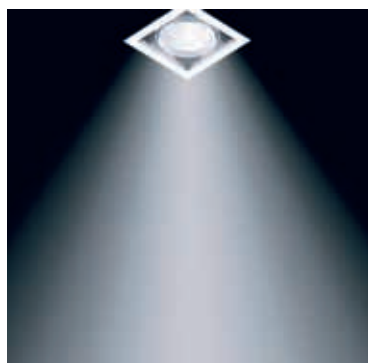
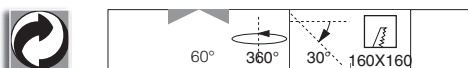


Store 4				
		CELL		Lamps (Ta=25°C)
wattage	colour	weight	code	Kelvin - ølm - Ra
CDM-T 4x70	white	3,10	22181312-00	3000K - 6600lm - Ra 1b

Complete with transformer and electronic ballast for discharge lamps.

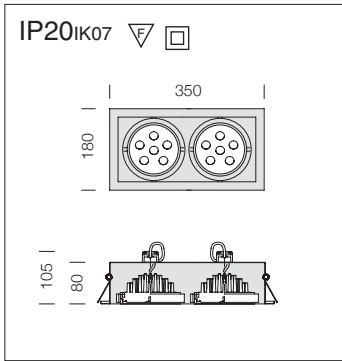


For the CDM-T versions narrow and medium beam are available on request.

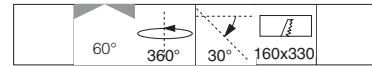


LED: high efficiency Esaled type, with heat sink, longer working life, Ra 80 index.

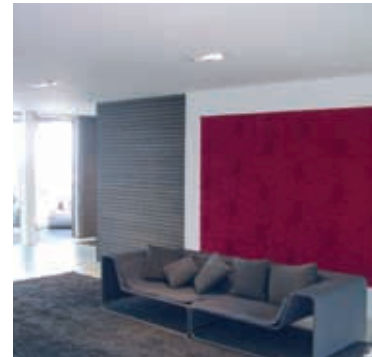
Store 1 ESALED					
		CLD CELL			LED (Ta=25°C)
wattage/W 700mA	color	weight	code	W tot.	K - ølm (700mA) - degrees
ESALED	white	1,10	22181410-00	16,8	4000 K - 1020 lm - 60°



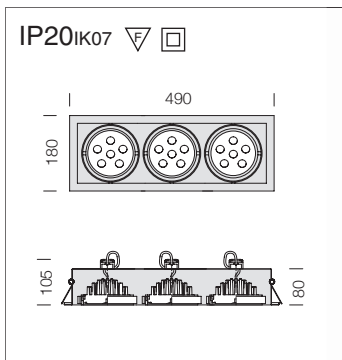
LED: high efficiency EsaLED type, with heat sink, longer working life, Ra 80 index.



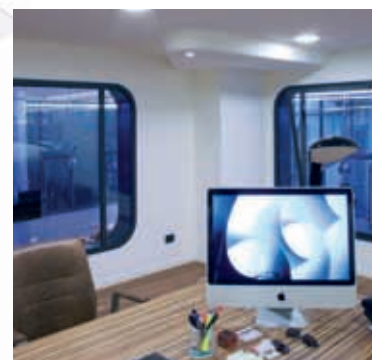
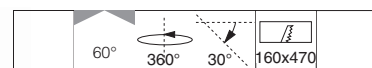
On request: 1-lamp version and 2-lamps version



Store 2 ESALED					
		CLD CELL			LED (Ta=25°C)
wattage/W 700mA	color	weight	code	W tot.	K - ølm (700mA) - degrees
ESALED	white	1,70	22181411-00	33,6	4000 K - 1020 lm - 60°
2 separate switch					



LED: high efficiency EsaLED type, with heat sink, longer working life, Ra 80 index.



Store 3 ESALED					
		CLD CELL			LED (Ta=25°C)
wattage/W 700mA	color	weight	code	W tot.	K - ølm (700mA) - degrees
ESALED	white	2,50	22181412-00	50,4	4000 K - 1020 lm - 60°
3 separate switch					

