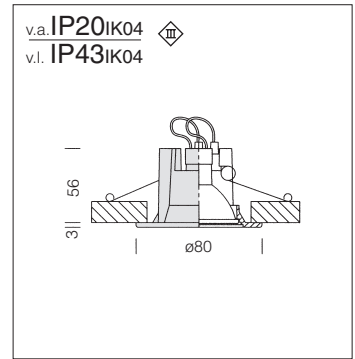


DICR-IRC power saving lamps provide a luminous efficiency 30% higher than conventional DICR lamps; therefore: more light, lower consumption. 30% energy saving!



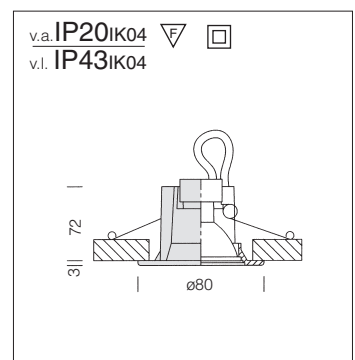
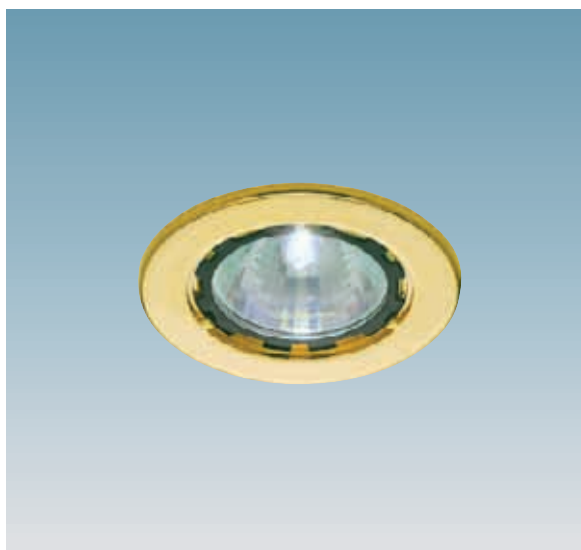
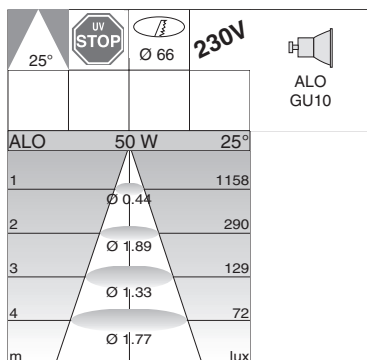
Housing: Die-cast zamak.
Lampholder: Ceramic with silver-plated contacts.
Coating: Fluid-coated with a humidity resistant, UV-stabilised acrylic-resin paint. A different galvanic finishing process is used for chromium-plated and polished brass versions.

Electric gear: Transformer to be purchased separately.

Equipment: With springs for false ceilings (max. 20mm).

Sirio 12 Volt with IRC lamp				
		S+L		Lamps (Ta=25°C)
wattage	colour	weight	code	Kelvin - olm - Ra
DICR-IRC 35	white	0,20	22063615-00	3000K - 5000h - 4400cd
DICR-IRC 35	black	0,20	22063609-00	
DICR-IRC 35	m. silver	0,20	22063671-00	
DICR-IRC 35	chrome	0,20	22063663-00	
DICR-IRC 35	pol. brass	0,20	22063699-00	
DICR-IRC 35	gold	0,20	22063684-00	

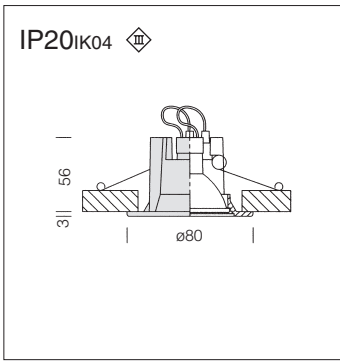
Supplied with lamp without transformer. Use one 70W transformer code 22090818-00 for 2 spotlights. Efficiency + 30%. Longer duration.



Supplied with 230V lamps, mains voltage operated without transformer.

Supplied in individual bags, packaged in 10-piece boxes.

Sirio 230V with lamps				
		CNL		Lamps (Ta=25°C)
wattage	colour	weight	code	Kelvin - olm - Ra
ALO 50	white	0,20	22063618-00	2900K - 2000h - 950 lm
ALO 50	black	0,20	22063608-00	
ALO 50	m. silver	0,20	22063678-00	
ALO 50	chrome	0,20	22063668-00	
ALO 50	pl. brass	0,20	22063698-00	
ALO 50	gold	0,20	22063688-00	



Brand only with lamps, code ILCOS HAG/LP50-12-GU5,3-51/38



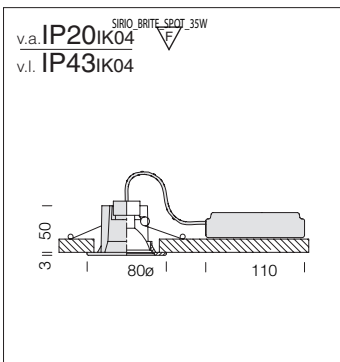
ALU
No light output in the back of the reflector. All heat is driven to the ground.



Supplied with lamp without transformer.
Supplied in individual bags, packaged in 10-piece boxes.

Sirio 12 Volt with aluminised lamp				
		S+L		Lamps (Ta=25°C)
wattage	colour	weight	code	Kelvin - ølm - Ra
ALU 50	white	0,20	22064618-00	3000K - 3000h - 1800 cd
ALU 50	black	0,20	22064603-00	
ALU 50	chrome	0,20	22064666-00	
ALU 50	pol. brass	0,20	22064693-00	
ALU 50	gold	0,20	22064687-00	

Sirio 12 Volt with lamp + glass				
		S+L		Lamps (Ta=25°C)
wattage	colour	weight	code	Kelvin - ølm - Ra
DICR 50	white	0,20	22063719-00	3000K - 3000h - 1800cd
DICR 50	black	0,20	22063707-00	
DICR 50	chrome	0,20	22063767-00	
DICR 50	pol. brass	0,20	22063794-00	
DICR 50	gold	0,20	22063788-00	

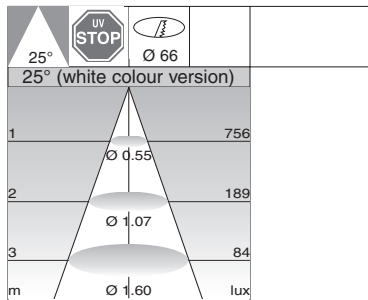



Complete with lamp and electronic ballast to be used for panel ceilings only.

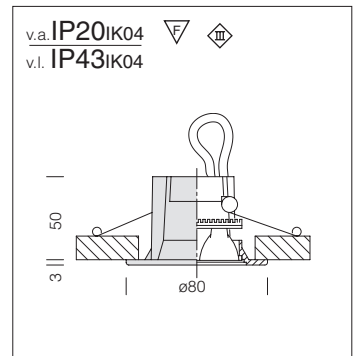
Sirio - CDM-R mini				
		CELL		Lamps (Ta=25°C)
wattage	colour	weight	code	Kelvin - ølm - Ra
CDM-R mini 35	white	0,50	22063311-00	3000K - 10000h - 16000cd - Ra1b
CDM-R mini 35	black	0,50	22063335-00	
CDM-R mini 35	m. silver	0,50	22063372-00	

Complete with ceramic lamp and electronic ballast to be used for panel ceilings only.
Lamps with excellent quality and colour stability.

Sirio - CDM-R mini				
		CELL		Lamps (Ta=25°C)
wattage	colour	weight	code	Kelvin - ølm - Ra
CDM-R mini 20	white	0,50	22063312-00	3000K - 3300cd - Ra 1a
CDM-R mini 20	m. silver	0,50	22063373-00	



Sirio in POWERLED RGB version is available on request



Power LED with monochrome triple lens: use is recommended for decorative architectural lighting, accent lighting in stores and shop windows, etc., outdoor and indoor directional lights (corridors, hallways, façades, etc.). Equipped with triple LED module, 1.2W/3W each. Available upon request, 6°-45° beam aperture. Working temperature: -30°C to 50°C. A POWERLED has a working life of **40,000** hours (350 mA) with its maximum temperature allowed. Use in even better conditions will extend its working life.

Connections and accessories: can be adjusted using a push button normally open or a 0-10V signal with dimmable ballast.

Sirio Power LED white 3000K								
		CLD S+L			LED (Ta=25°C)			
wattage/W (350mA)	colour	weight	code	W tot.	K	ølm 350mA	ølm 500mA	degrees
LED white 3x1,2W	white	0,20	22064315-00	3,5	3000	242	350	25°
LED white 3x1,2W	black	0,20	22064335-00	3,5	3000	242	350	25°
LED white 3x1,2W	m. silver	0,20	22064374-00	3,5	3000	242	350	25°
LED white 3x1,2W	chrome	0,20	22064365-00	3,5	3000	242	350	25°
LED white 3x1,2W	brass	0,20	22064394-00	3,5	3000	242	350	25°

Electronic ballast code 2209837-00 (350mA), 22090890-00 (500mA) to be purchased separately. Dimmable electronic ballast, code 22090837-12.

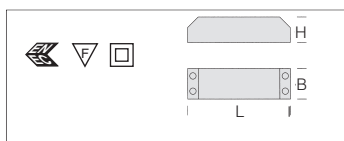
Sirio Power LED white 6000K								
		CLD S+L			LED (Ta=25°C)			
wattage/W (350mA)	colour	weight	code	W tot.	K	ølm 350mA	ølm 500mA	degrees
LED white 3x1,2W	white	0,20	22064310-00	3,5	6000	321	466	25°
LED white 3x1,2W	black	0,20	22064330-00	3,5	6000	321	466	25°
LED white 3x1,2W	m. silver	0,20	22064371-00	3,5	6000	321	466	25°
LED white 3x1,2W	chrome	0,20	22064362-00	3,5	6000	321	466	25°
LED white 3x1,2W	brass	0,20	22064395-00	3,5	6000	321	466	25°

Electronic ballast code 2209837-00 (350mA), 22090890-00 (500mA) to be purchased separately. Dimmable electronic ballast, code 22090837-12.

Sirio Power LED white 3000K							
		CLD S+L			LED (Ta=25°C)		
wattage/W (700mA)	colour	weight	code	W tot.	K	ølm 700mA	degrees
LED white 3x3W	white	0,30	22064316-00	9	3000	411	25°
LED white 3x3W	black	0,30	22064336-00	9	3000	411	25°
LED white 3x3W	m. silver	0,30	22064370-00	9	3000	411	25°
LED white 3x3W	chrome	0,30	22064368-00	9	3000	411	25°
LED white 3x3W	brass	0,30	22064396-00	9	3000	411	25°

Upon request: Power LED 6000K. Electronic ballast code 22090835-00 (700mA) to be purchased separately. Dimmable electronic ballast, code 22090834-00.

Sirio Power LED white 4000K							
		CLD S+L			LED (Ta=25°C)		
wattage/W (700mA)	colour	weight	code	W tot.	K	ølm 700mA	degrees
LED white 3x3W	white	0,30	22064313-00	9	4000	479	25°
LED white 3x3W	black	0,30	22064331-00	9	4000	479	25°
LED white 3x3W	m. silver	0,30	22064375-00	9	4000	479	25°
LED white 3x3W	chrome	0,30	22064367-00	9	4000	479	25°
LED white 3x3W	brass	0,30	22064392-00	9	4000	479	25°



CODE	B	H	L
22090835-00	34	21	110
22090837-00	43	23	110
22090890-00	38	24	125
DIMMABLE	B	H	L
22090834-00	50	34	110
22090837-12	-	-	-

CODICE	VOLTAGE	CURRENT I _{DC}	min. no. spotlights	max no. spotlights	W
22090837-00	220-240V 50/60Hz	350mA	1	4	17
22090837-12	DIMMABLE 1-10V	350mA		4	15
22090890-00	220-240V 50/60Hz 6-26V	500mA	1	2	16,8

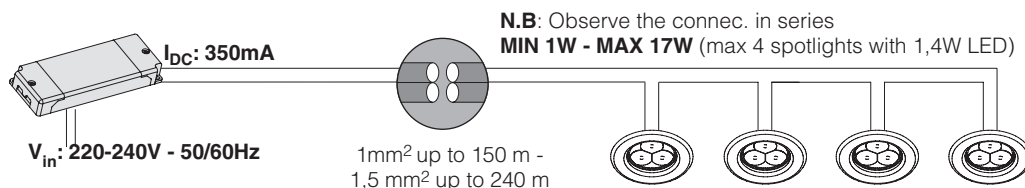
CODE	VOLTAGE	CURRENT I _{DC}	min. no. spotlights	max no. spotlights	W
22090835-00	220-240V 50/60Hz	700mA	1	1	9
22090834-00	DIMMABLE 1-10V	700mA		2	18

POWER LED CONNECTIONS

To supply in series max 4 spotlights 1,4W utilize power supply LED code 22090837-00.

To supply in series max 2 spotlights 2W utilize power supply LED code 22090890-00 (500mA).

To supply spotlights 3x3W utilize power supply LED code 22090835-00 (1 for each spotlight)



LED lighting and traditional lamps. Understanding the difference

LED

No. of pieces	Denomination (correction factor)	F [lm]
25	Power LED white 3200k S+L	445
Total:		15575

Surface	Em [lm]	Emin [lm]	Emax [lx]	Emin / Em
Useful	370	132	477	0,356
Floor	348	147	400	0,422
Ceiling	48	39	54	0,800
Walls (4)	76	45	117	/

ALO 230V

No. of pieces	Denomination (correction factor)	F [lm]
25	ALO 50 230V S+L	362
Totale:		12670

Surface	Em [lm]	Emin [lm]	Emax [lx]	Emin / Em
Useful	348	174	429	0,500
Floor	313	160	392	0,513
Ceiling	58	45	68	0,782
Walls (4)	113	55	185	/



KIT Sirio						
		CLD CTL			LED (Ta=25°C)	
wattage (350mA)	colour	weight	code	W tot.	K	ølm 350mA
LED white 3x1,4W	white	0,3	22064312-00	4,2	6300	321
LED white 3x1,4W	silver	0,3	22064373-00	4,2	6300	321

The box complete with power supply of 350 mA

KIT Sirio						
		CLD CTL			LED (Ta=25°C)	
wattage/W (700mA)	colour	weight	code	W tot.	K	ølm 700mA
LED white 3x3W	white	0,3	22064311-00	9	4000	479
LED white 3x3W	silver	0,3	22064378-00	9	4000	479
LED white 3x3W	white	0,3	22064314-00	9	3000	411
LED white 3x3W	silver	0,3	22064377-00	9	3000	411

KIT 1 Sirio EM - 3h						
		CLD CTL			LED (Ta=25°C)	
wattage (700mA)	colour	weight	code	W tot.	K	ølm 700mA
LED white 3x3W	white	0,30	22064372-09	9	4200	479

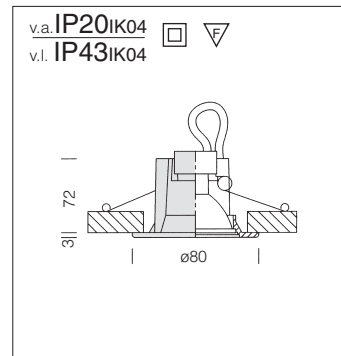
Box equipped with 1 Sirio, 1 inverter and 1 battery.

KIT 2 Sirio EM - 3h						
		CLD CTL			LED (Ta=25°C)	
wattage (700mA)	colour	weight	code	W tot.	K	ølm 700mA
LED white 3x3W	white	0,30	22064376-09	9	4200	479

Box equipped with 1 Sirio, 1 inverter and 1 battery.



25°	Ø 66	UV STOP	GU5,3	GU10
-----	------	---------	-------	------



Complete with MASTERLED of 3W, beam angle 25°, 3000K, 220-240V/50-60Hz.

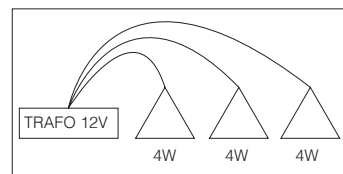
4W LED version = DICR 20W.

Sirio MASTERLED - 230/240V					
		CLD CELL		W tot.	LED (Ta=25°C)
wattage	colour	weight	code		K - cd - degrees
MASTERLED white 3W	white	0,30	22063413-00	3	3000K - 550cd - 25°
MASTERLED white 3W	black	0,30	22063431-00	3	3000K - 550cd - 25°
MASTERLED white 3W	m. silver	0,30	22063472-00	3	3000K - 550cd - 25°
MASTERLED white 3W	chrome	0,30	22063465-00	3	3000K - 550cd - 25°
MASTERLED white 3W	brass	0,30	22063496-00	3	3000K - 550cd - 25°

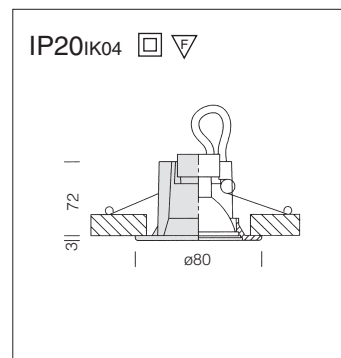
	W	I max	duration
ALU 35W	35-20°	500cd	2000h
MasterLED	3-25°	550cd	25000h

Sirio KIT LED					
		CLD CTL		W tot.	LED (Ta=25°C)
wattage	colour	weight	code		K - cd - degrees
KIT LED white 4W	white	0,20	22064919-00	4	3000K - 720cd - Ra 80- 24°
KIT LED white 4W	m. silver	0,20	22064979-00	4	3000K - 720cd - Ra 80- 24°
KIT LED white 4W	black	0,20	22064939-00	4	3000K - 720cd - Ra 80- 24°

Equipped with 3 Sirio and ballast. 4W = 20W ALO



15°	Ø 66	UV STOP		
-----	------	---------	--	--

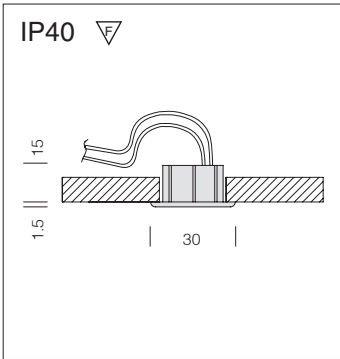


Complete with LED 3x1W, beam angle 15°, mains voltage operation 220-240V/50-60Hz. On request the version with LED 3x3W is also available.

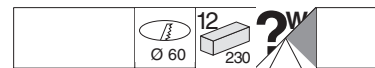
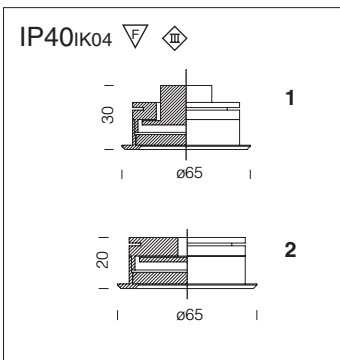
Sirio POWER LED - 220/240V fig.1					
		CLD CELL		W tot.	LED (Ta=25°C)
wattage	colour	weight	code		K - lm - degrees
LED bianco 3W	white	0,30	22063410-00	3	neutral - 45lm - 25°
LED bianco 3W	black	0,30	22063432-00	3	neutral - 45lm - 25°
LED bianco 3W	m. silver	0,30	22063471-00	3	neutral - 45lm - 25°
LED bianco 3W	chrome	0,30	22063463-00	3	neutral - 45lm - 25°
LED bianco 3W	brass	0,30	22063494-00	3	neutral - 45lm - 25°

On request: 7W LED version = ALO 50W.

Sirio POWER LED caldo - 220/240V fig.2					
		CLD CELL		W tot.	LED (Ta=25°C)
wattage/W	color	weight	code		ølm - degrees
LED white 3x1W	white	0,20	22064911-00	hot	135 - 15°
LED white 3x1W	black	0,20	22064932-00	hot	135 - 15°
LED white 3x1W	m. silver	0,20	22064973-00	hot	135 - 15°
LED white 3x1W	chrome	0,20	22064966-00	hot	135 - 15°
LED white 3x1W	brass	0,20	22064996-00	hot	135 - 15°



Step Power LED white 4000K					
		CLD S+L		LED (Ta=25°C)	
wattage/W	colour	weight	code	W tot.	Kelvin - olm - Ra
LED white 1W	Transparent	0,03	22067010-00	1	3000



Lift 1: 12V DC. NO: electronic ballasts AC HF.

Lift 1 LED white 4000K (Fig. 1)						
		CLD-S+L		LED (Ta=25°C)		
wattage/W (12V)	colour	weight	code	W tot.	K	olm 12V
LED white 3x1,2W	white	0,20	22060010-00	3,6	4000	282
LED white 3x1,2W	black	0,20	22060031-00	3,6	4000	282
LED white 3x1,2W	silver m.	0,20	22060072-00	3,6	4000	282

Equipped with LED lights, electronic ballast, 12V dc to be purchased separately, code 22090838-00, 20W

Lift 2 LED white 4000K (Fig. 2)						
		CLD-S+L		LED (Ta=25°C)		
wattage/W (12V)	colour	weight	code	W tot.	K	olm 12V
LED white 6x0,5 W	white	0,20	22060015-00	3	4000	210
LED white 6x0,5W	black	0,20	22060035-00	3	4000	210
LED white 6x0,5W	silver m.	0,20	22060075-00	3	4000	210

12V DC. NO: electronic ballasts AC HF.