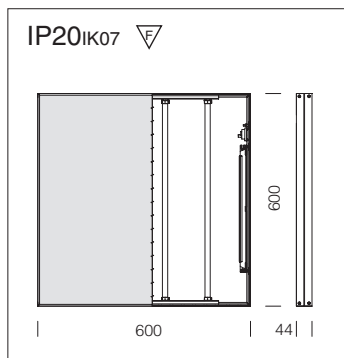




The luminaire is used for direct ceiling or suspension lighting, and enables creative solutions using the position of light itself.

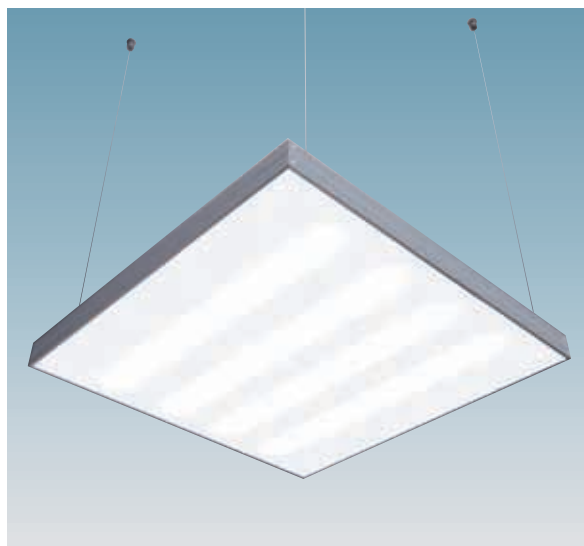
Housing: in extruded aluminium.

Diffuser: diffuser with matt structure.



Equipment: A power supply pack to insert in the IP65 box at the top of the circuit is supplied separately:

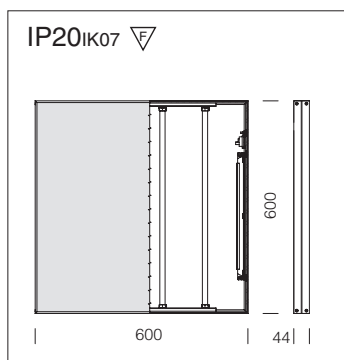
- code 22090832-00 - 350mA - 4W - max n. 3 Spy 1,4W - max n. 1 Spy x 3W
- code 22090837-00 - 350mA - 17W - max n. 12 Spy 1,4W - max n. 6 Spy



FL G5	L	e\$	
Consump CELL=A2			



Schermo di luce A				
		CELL		Lamps (Ta=25°C)
wattage	colour	weight	code	Kelvin - h - ølm - Ra
FL 4x14	natural oxy.	5,20	22 184071 -00	4000K - 1200 lm - 1b



FL G5	L	e\$	
Consump CELL=A2			



Schermo di luce B				
		CELL		Lamps (Ta=25°C)
wattage	colour	weight	code	Kelvin - h - ølm - Ra
FL 4x14	natural oxy.	6,40	22 184170 -00	4000K - 1200 lm - 1b

