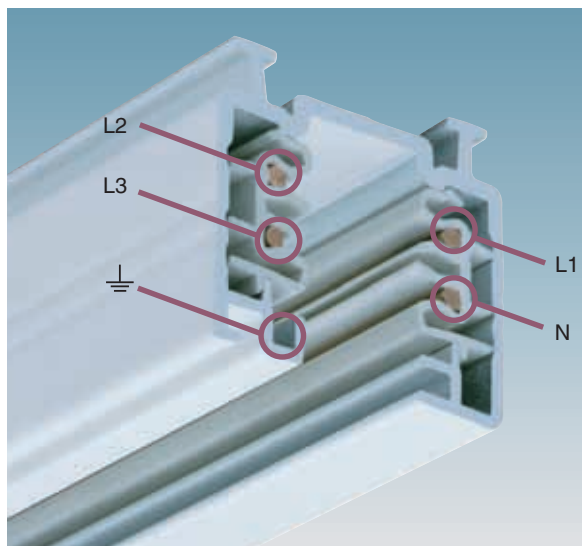
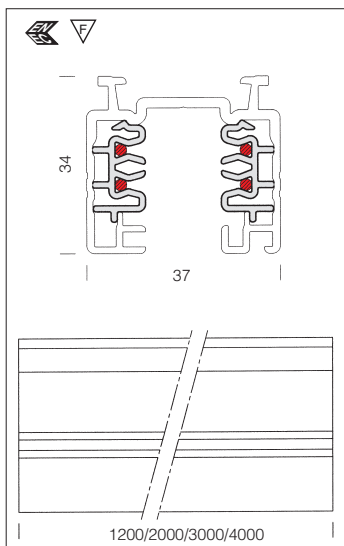


OMNITRACK is the natural evolution of electrified POWERED TRACKS. This highly functional 3-circuit track has been accurately designed in its every component. This track meets a variety of installation requirements. Thanks to its design, range of accessories, flexibility and versatility, Omnitrack is an ideal lighting design solution.

Housing: Three-phase track for 3 separate electrical circuits. Extruded aluminium rectangular section, containing an insulating PVC profile with 4 copper leads, while the profile itself provides the system's grounding. Maximum load: 16A for each conductor.

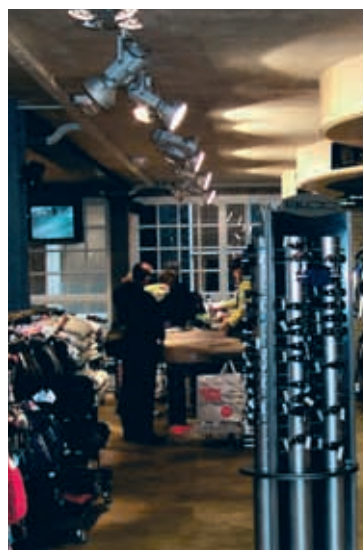
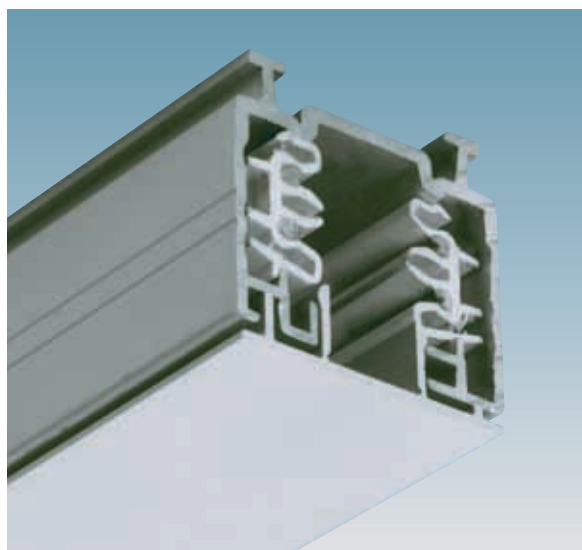
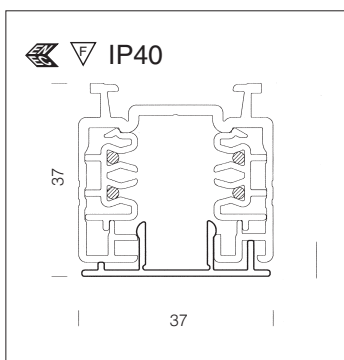
Standard supply: Available in 4 sizes and 3 colours: white, black and natural oxidized aluminium. On request, Omnitrack can be easily cut to the desired lengths. Supplied with one end cap. Along the top of the track are slots to be used for fastening or recesses for insertion of accessories. Omnitrack is designed to accommodate most adapters available on the market.





Omnitrack 3 circuit track			
		S	
m	colour	weight	code
1,20	white Al. track	1,30	22015011-00
2,00	white Al. track	2,00	22015112-00
3,00	white Al. track	3,00	22015213-00
1,20	black Al. track	1,30	22015031-00
2,00	black Al. track	2,00	22015132-00
3,00	black Al. track	3,00	22015233-00
1,20	oxy. Al. track	1,30	22015071-00
2,00	oxy. Al. track	2,00	22015172-00
3,00	oxy. Al. track	3,00	22015273-00
4,00	oxy. Al. track	4,00	22015374-00

Supplied with cap.



Complete with cover (50cm), in this case the track complies with IP40 rating, in compliance with the CEI EN 60529 standard.

Omnitrack with IP40 cover			
		S	
m	colour	weight	code
1,20	oxy. Al. track	0,60	22015072-00
2,00	oxy. Al. track	2,40	22015173-00
3,00	oxy. Al. track	3,60	22015274-00
4,00	oxy. Al. track	4,80	22015375-00

The power supply includes an accessory for the choice of different phases and ground contacts.

It allows the power cable to be inserted either into the end cap or from the top.

1200-2000-3000

B P P P B

1200 mm B = 200 P = 800
2000 mm B = 200 P = 800
3000 mm B = 300 P = 800

Mounting spacings for any system.

Power supply			
material	colour	weight	code
polycarbonate	white	0,09	22025102-00
polycarbonate	grey	0,09	22025110-00
polycarbonate	black	0,09	22025131-00

For track power supply. Quick-connect with a guide pawl and an accessory for the selection of phase-neutral position. Used together with the cubes, it allows linear, L-shaped, T-shaped or cross-joint connections.



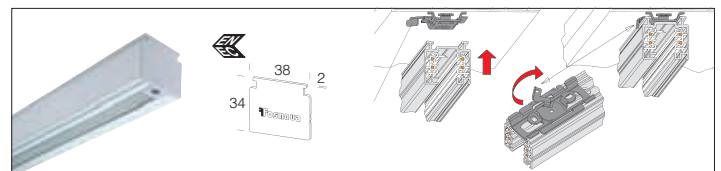
Power supply			
material	colour	weight	code
polycarbonate	dark grey	0,09	22025174-00

Only for Vision, Matrix, Leo family.



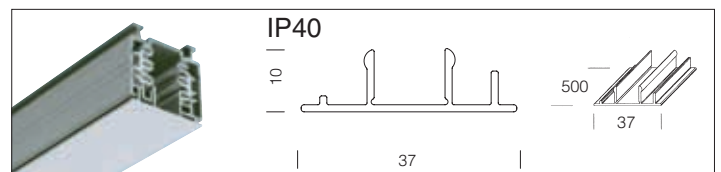
End cap			
material	colour	weight	code
polycarbonate	white	0,01	22025505-00
polycarbonate	grey	0,01	22025510-00
polycarbonate	black	0,01	22025536-00

To be used when the track is cut into several pieces.



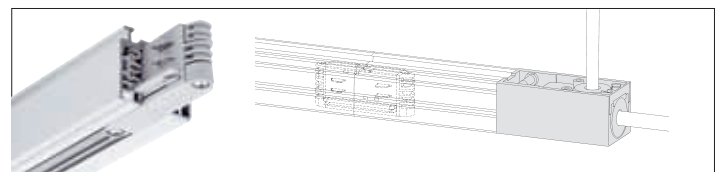
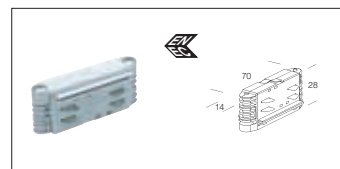
Omnitrack with IP40 cover			
size	colour	weight	code
500	white Al. track	0,10	22025515-00
500	black Al. track	0,10	22025533-00
500	oxy. Al. track	0,10	22025572-00

To be applied to Omnitrack track as a cover, in this case the track complies with IP40 rating, according to CEI EN 60529 standard.



Linear joint			
material	colour	weight	code
polycarbonate	white	0,08	22025404-00
polycarbonate	grey	0,08	22025410-00
polycarbonate	black	0,08	22025435-00
polycarbonate	dark grey	0,08	22025175-00

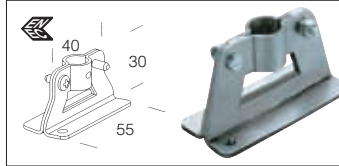
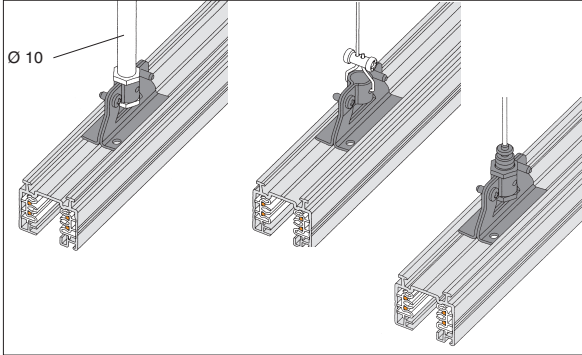
For perfect alignment of POWERED TRACKS and power connection. Quick-connect with a guide pawl.



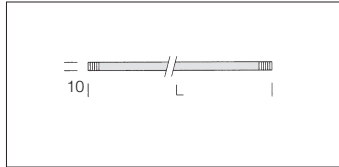
The track is equipped with a slot for direct ceiling installation without accessories, or for suspension installation.

The slot enables:

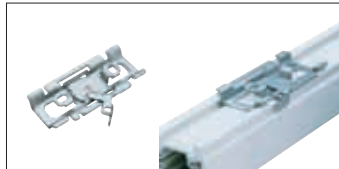
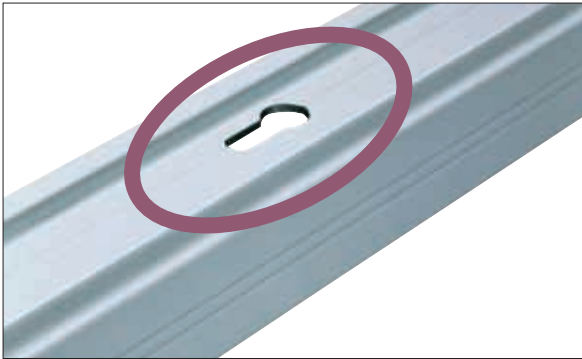
- suspension with Ø 13 rod
- steel wire suspension acc. 22003106/86-00 - 22003107/87-00 - 22003166-00
- direct ceiling installation by means of fisher screws.



Suspension attachment	
steel	22025611-00
For suspension installation using a Ø10 rod, steel wire acc. 22003106/86-00 or 22003187/07-00. Optionally, it can be made to slide along the track's axis. Max load: 20 kg. with steel wire and 30 kgs with rods.	



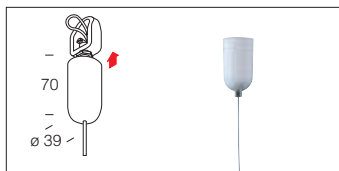
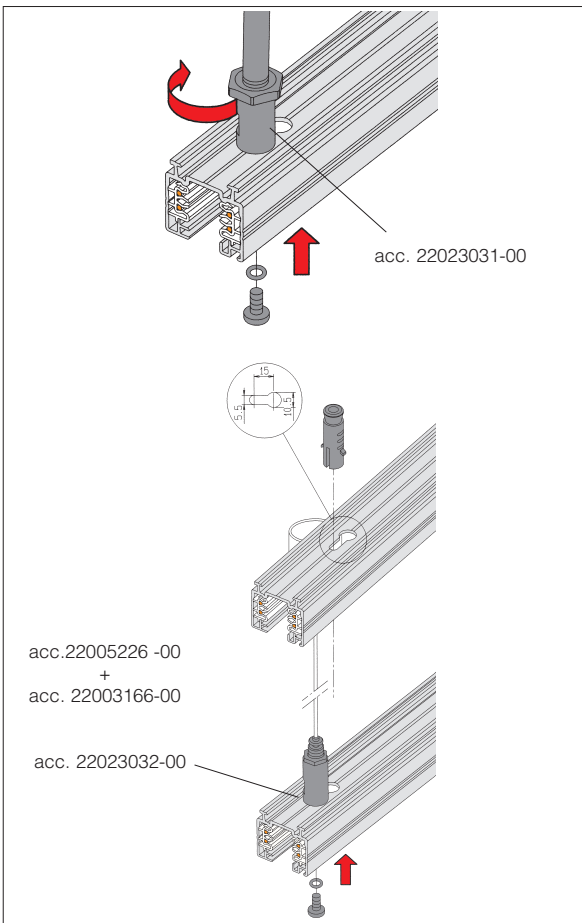
Rods Ø 10		
black	0.5 kg	22023336-00
black	0.7 kg	22023337-00
For suspension mounting in combination with acc. 22025611-00 or with acc. 22023032-00.		



Ceiling Connection	
steel	22025610-00
Device to fasten track to the ceiling or wall, also helps slide the track along its axis. Max load: 20 kg. every 35 cm.	



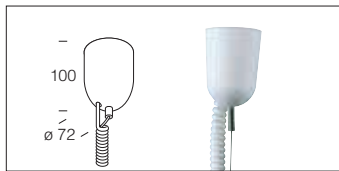
Suspension attachment rods ø 13	
steel	22023031-00
To be used with rods Ø13. Max load 20 kg every 35 cm.	
Suspension attachment	
	22023032-00
With millimetre adjustment device to be used with acc. 22003106/86/07/87/66-00.	



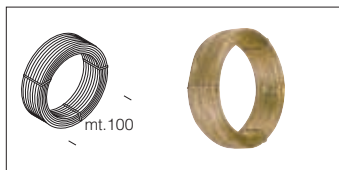
Ceiling suspension	
white	22003186-00
black	22003106-00
With steel wire (l = 1.5 m) and millimetre adjustment device. Max load: 20 kg.	



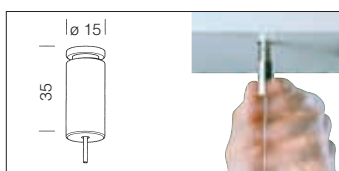
Ceiling rose for suspension rod	
white	22003119-00
black	22003139-00
Finishing cup to be applied with Ø 10 rods.	



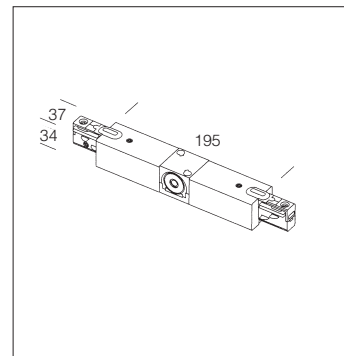
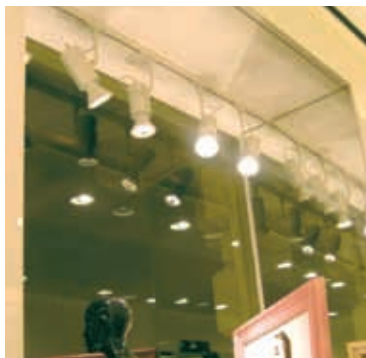
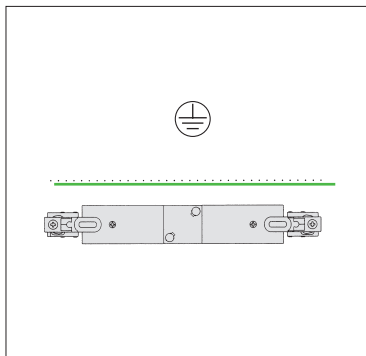
Powered Ceiling Suspension	
white	22003187-00
black	22003107-00
With steel wire (l=1.5m), adjustment device, and power cord. Max load: 20 kg.	



Suspension wire	
steel	22005226-00
100 mt. wire	

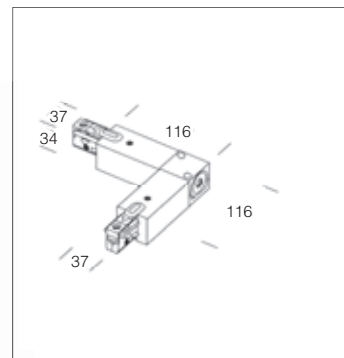
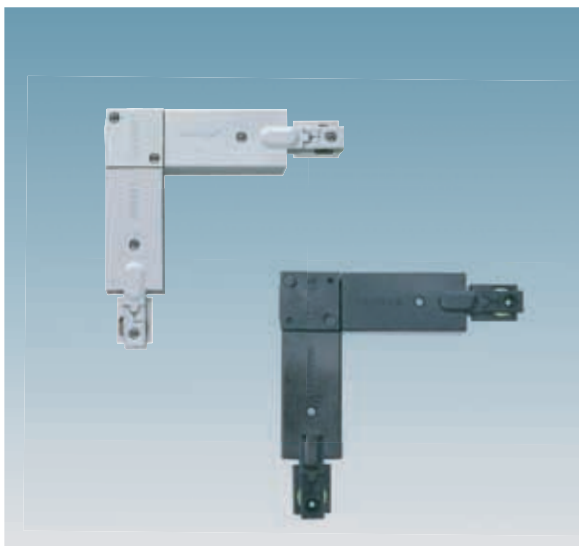
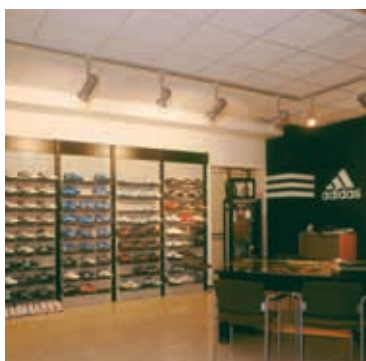
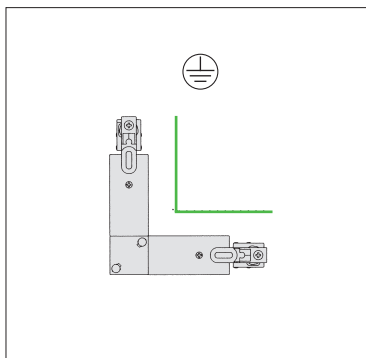


Suspension attachment	
nickel-plated	22003166-00
Suspension system supplied with steel wire (l=1.75m) with a millimetre adjustable device. Max load: 20 kg.	



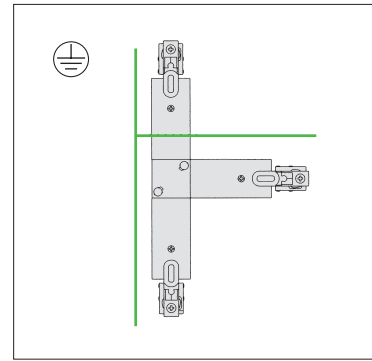
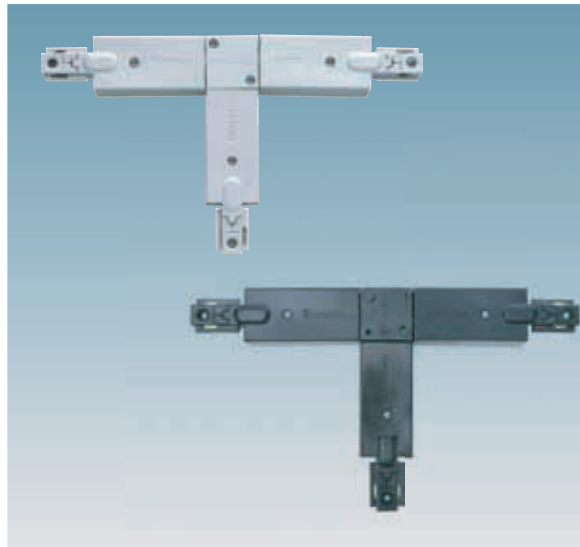
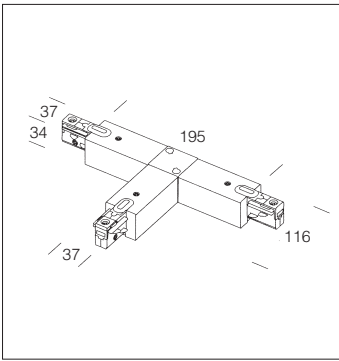
Linear joint		
colour	weight	code
white	0.20	22025104-00
grey	0.20	22025111-00
black	0.20	22025132-00

In polycarbonate. Preamsembled component, ready to use. It permits electric and mechanical connection. Includes three end plugs and power cable.



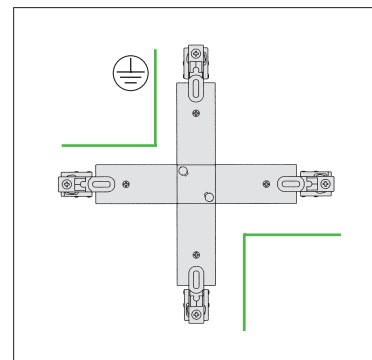
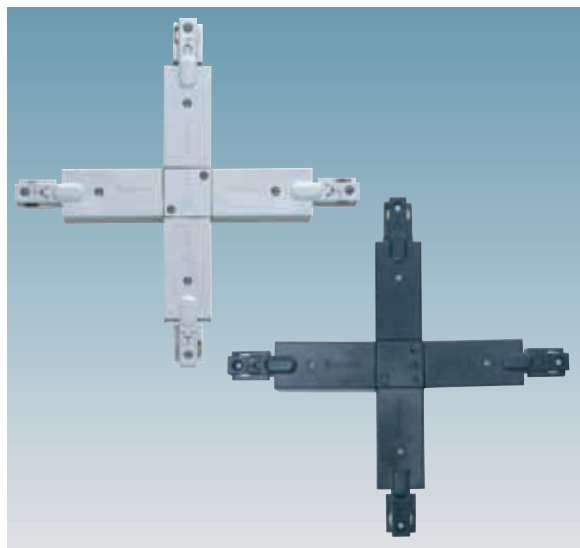
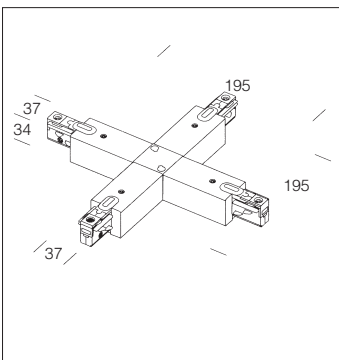
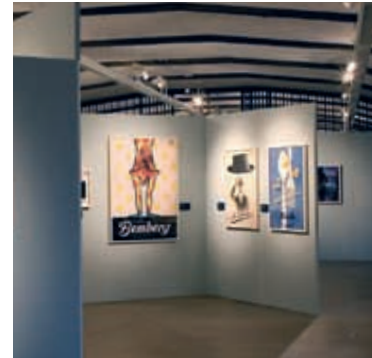
Internal L-shaped joint		
colour	weight	code
white	0.20	22025106-00
grey	0.20	22025113-00
black	0.20	22025134-00

Made of polycarbonate. Preamsembled, ready to use component. It provides "internal" electric connection and mechanical connection for the L-shaped joint. Supplied with three end plugs and power cable.



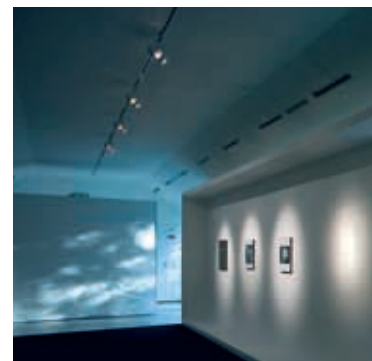
Made of polycarbonate. Preassembled, ready to use component. It provides "left-sided" electric connection and mechanical connection for the T-shaped joint. Supplied with 2 end plugs and power cable.

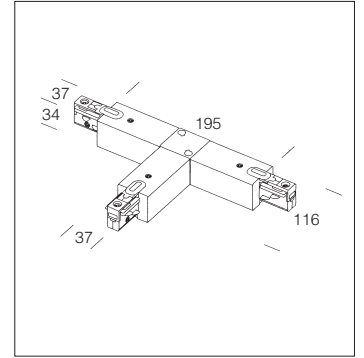
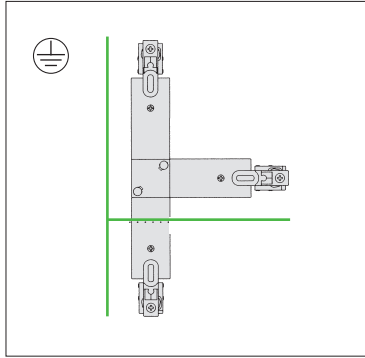
T-shaped, left sided joint		
colour	weight	code
white	0.30	22025108-00
grey	0.30	22025115-00
black	0.30	22025136-00



Made of polycarbonate. Preassembled, ready to use component. It provides "cross-shaped" electric connection and mechanical connection. Supplied with one end plug and power cable.

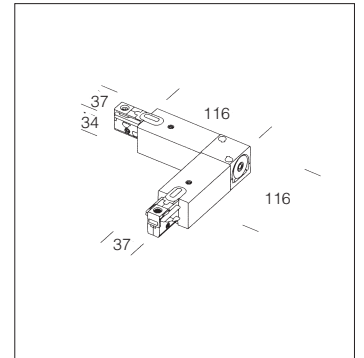
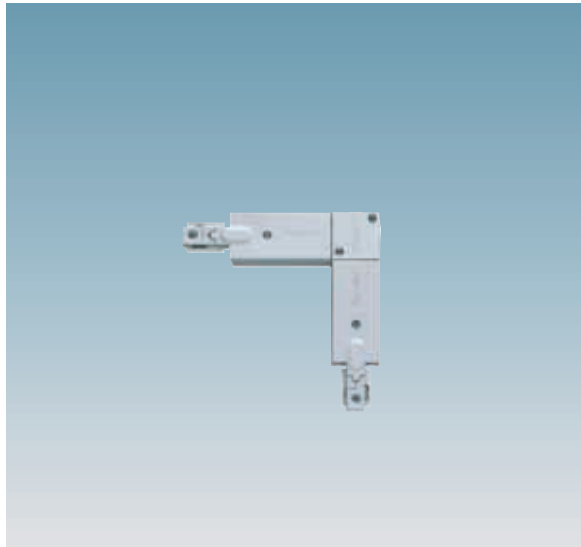
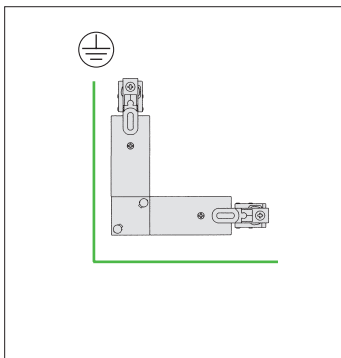
Cross joint		
colour	weight	code
white	0.40	22025109-00
grey	0.40	22025116-00
black	0.40	22025137-00





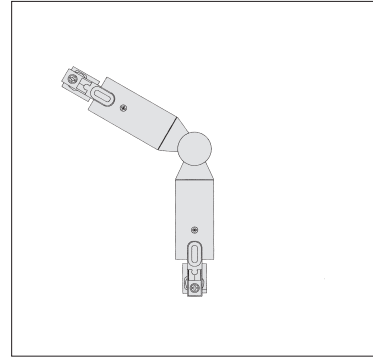
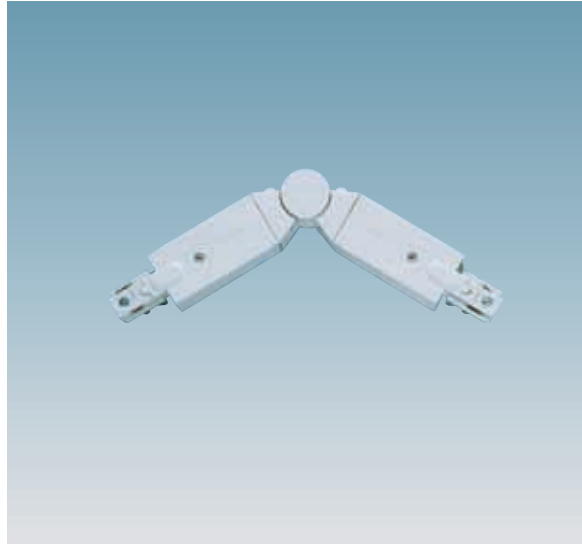
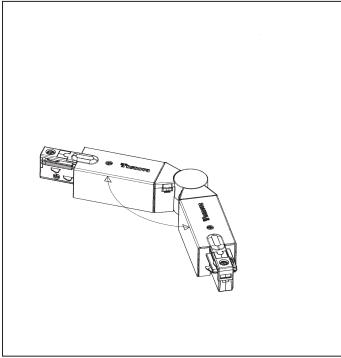
T-shaped, right-sided Joint		
colour	weight	code
white	0.30	22025107-00
grey	0.30	22025114-00
black	0.30	22025135-00

Preassembled component, ready to use. It permits "right-sided" electric connection and mechanical connection for the T-shaped joint. Includes 2 end plugs and power cable.



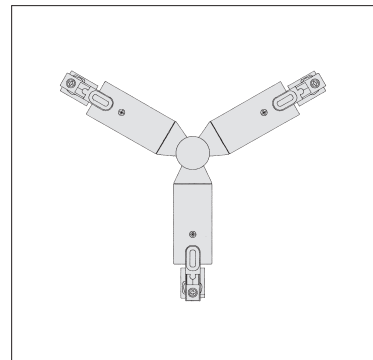
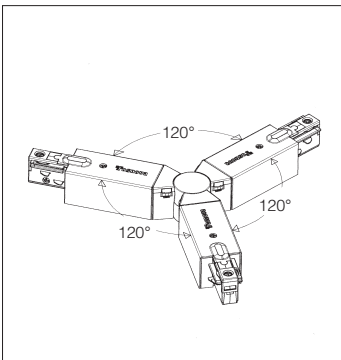
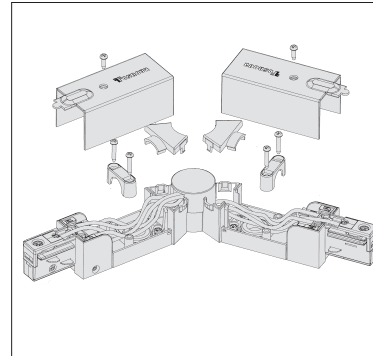
External L-shaped Joint		
colour	weight	code
white	0.20	22025105-00
grey	0.20	22025112-00
black	0.20	22025133-00

In polycarbonate. Preassembled component, ready to use. It permits "external" electric connection and mechanical connection for the L-shaped joint. Includes three end plugs and power cable.



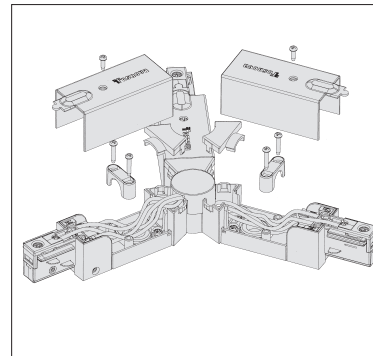
Enables power connection and junction with variable angles.

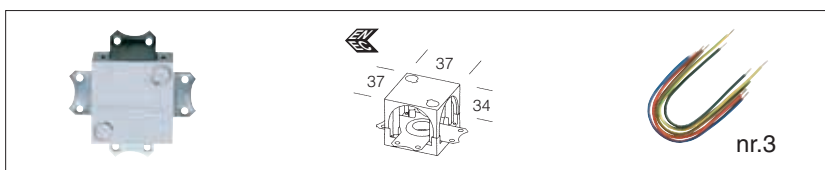
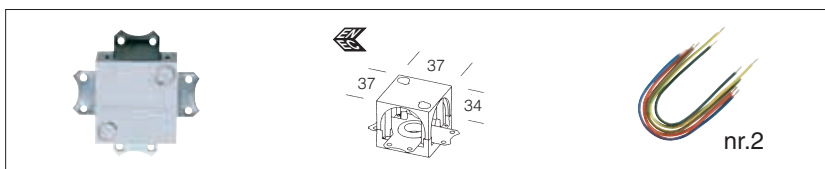
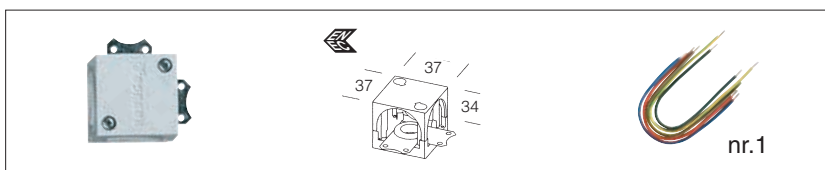
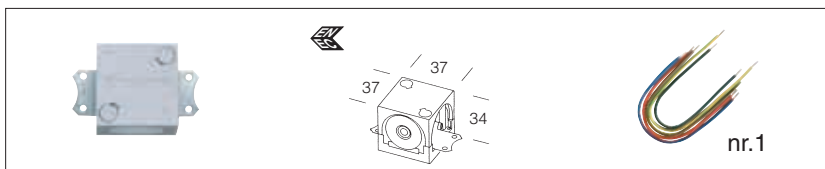
Circular 2-way Joint		
colour	weight	code
white	0.20	22025117-00
grey	0.20	22025171-00
black	0.20	22025138-00



Enables power connection and junction with 120° fixed angles.

Circular 3-way Joint		
colour	weight	code
white	0.30	22025118-00
grey	0.30	22025173-00
black	0.30	22025139-00





Linear joint cube		
colour	weight	code
white	0.05	22025202-00
grey	0.05	22025210-00
black	0.05	22025231-00

To be used with the power supply and with the cable acc. 22025810-00.

L-shaped Joint Cube		
colour	weight	code
white	0.05	22025203-00
grey	0.05	22025211-00
black	0.05	22025232-00

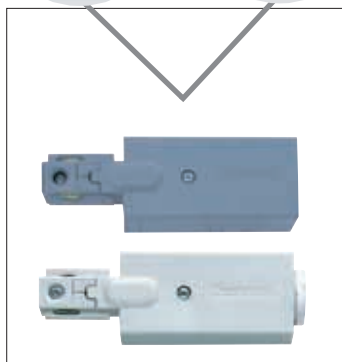
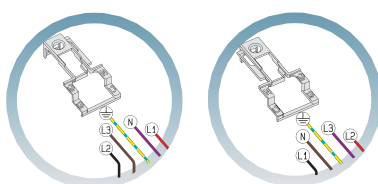
Permits L-shaped joint connection. To be used with the power supply and cable acc. 22025810-00. Includes two end plugs.

T-shaped Joint Cube		
colour	weight	code
white	0.05	22025204-00
grey	0.05	22025212-00
black	0.05	22025233-00

Permits T-shaped joint connection. To be used with the power supply and 2 packets of cable acc. 22025810-00. Includes two end plugs.

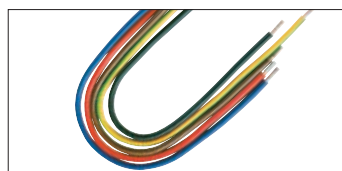
Cross Joint Cube		
colour	weight	code
white	0.05	22025205-00
grey	0.05	22025213-00
black	0.05	22025234-00

To be used with the power supply and 3 packets of cable acc. 22025810-00. Includes three end plugs.



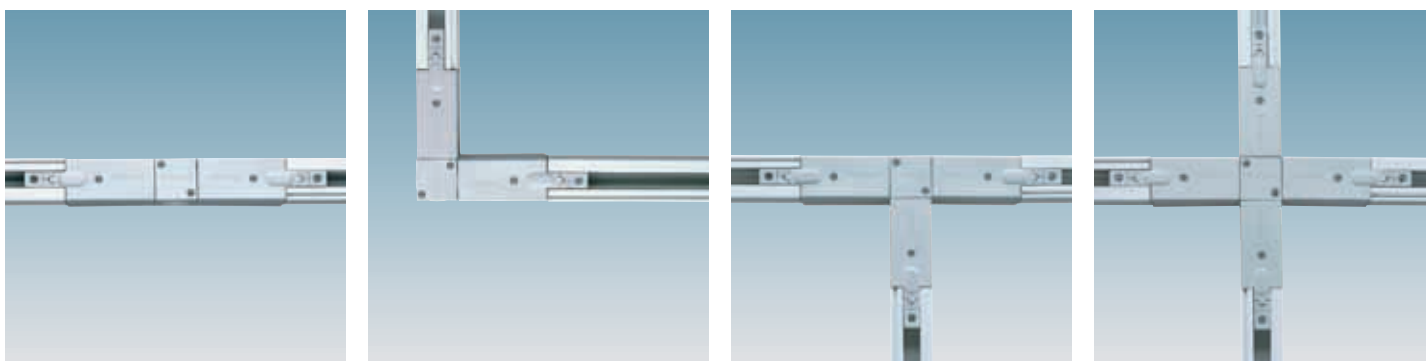
Power supply		
colour	weight	code
white	0.09	22025102-00
grey	0.05	22025110-00
black	0.05	22025131-00
dark grey	0.09	22025174-00

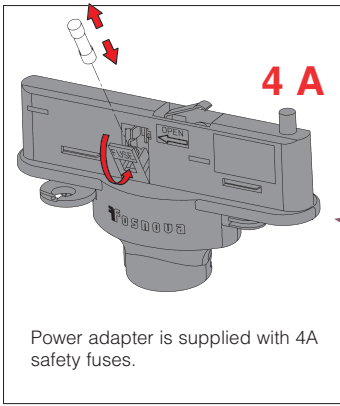
Provides power to the track. Quick-connect with a guide pawl and an accessory for the selection of phase-neutral position. It allows the power cable to be inserted either into the end cap or into the top.



Power cable	
code	
22025810-00	

Complete set of 5 wires for power supply. To be used with junction cubes.

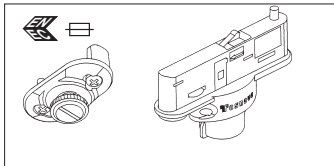




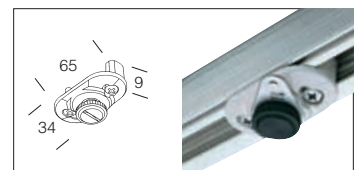
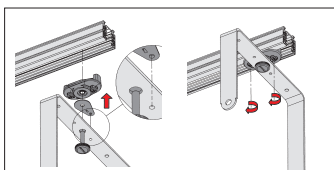
Adapter equipped with a double locking device on the track and a 3 phase selection wheel. Max bearable weight 5 kg. Type approved for 6A. It can be mounted on major commercial track systems.

Power adapter	
colour	code
white	22025305-00
grey	22025310-00
black	22025331-00
dark grey	22025372-00

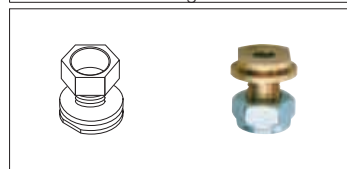
Mechanical + Power adapter	
white	22093315-00
grey	22093371-00
black	22093334-00
Max load 6 Kg.	



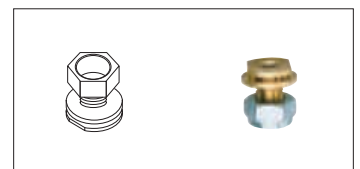
Mechanical adapter	
white	22025704-00
grey	22025710-00
black	22025731-00
To be used with floodlights weighing more than 6 kgs. We recommend its use for mounting floodlights on a wall track. Max load: 6 kg.	

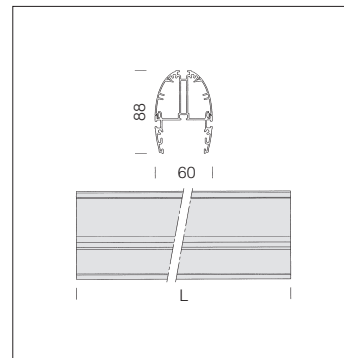


Coupler Ø 12
22023113-00
To be ordered when using other floodlights with connection (M12x1).



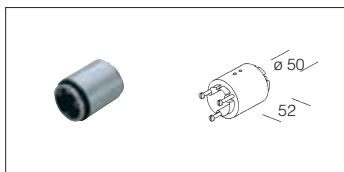
Coupler Ø 10
22023110-00
To be ordered when using other floodlights with connection (M10x1).



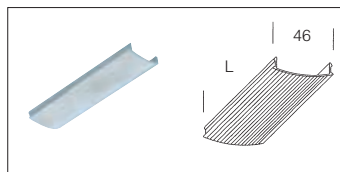


Struttura is designed to accommodate various types of cables as well as the OMNITRACK electrified track. The structure's length should be selected according to use and to the fluorescent module to be installed. For longer lengths, available in the natural oxidised version only.

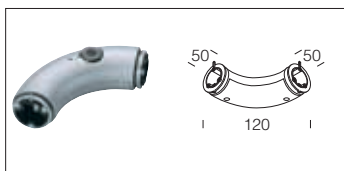
Struttura for Omnitrack		
length	colour	code
L = on request	a. natural oxidized	22015974-00
Price on request per linear metre.		
L = min 2200mm - max 4400 mm		



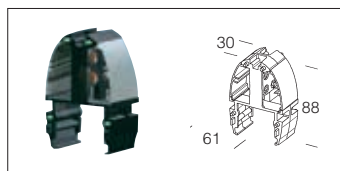
Straight joint	
m. silver	22271572-00
black	22271530-00
Made of steel and fibreglass nylon. For structure suspension, rotation around its axis and continuous-line installation. acc.22015974/22015985-00	



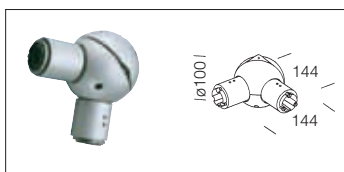
Cover	
m. silver	22271774-00
Covers the lower part when the track is not inserted. Price per linear metre, max 2200 mm.	



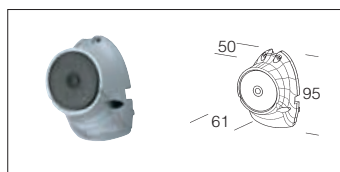
Angle joint	
m. silver	22271773-00
black	22271730-00
Made of die-cast aluminium. For suspension, rotation around their axes and "L"- jointing of acc.22015974/22015985-00.	



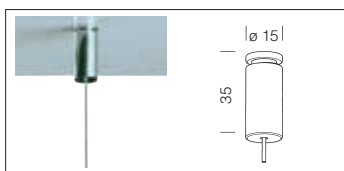
Straight joint for frame	
m. silver	22025870-00
black	22025831-00
Made of black aluminium. For uninterrupted continuous lines. Supplied with cover. To be applied to art. 22015974/22015985-00.	



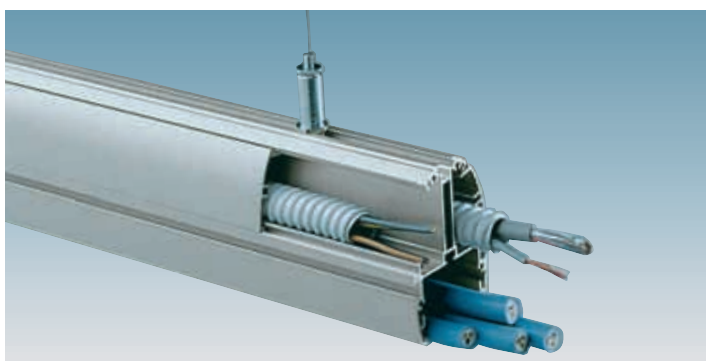
Spherical joint	
m. silver	22270071-00
black	22270030-00
Made of die-cast aluminium. For angles from 90° to 270° with two fixtures, or T-joints and cross joints up to 4-way module connections acc. 22015974/22015985-00. Supplied with 2 acc.22271572-00.	



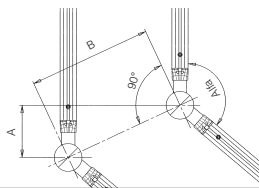
Connection/end cap	
m. silver	22025871-00
black	22025830-00
Made of aluminium. To close the end of the last structure or together with acc. 22270071/270030/271572/271530/271773/271730-00, to make continuous lines or angles. Attach to art. 22015974-00.	
2 pcs per each bag.	



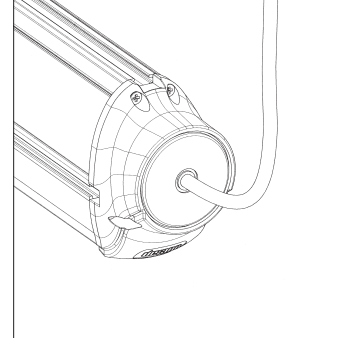
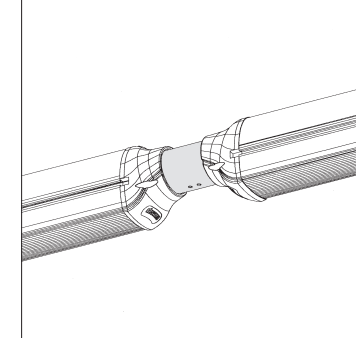
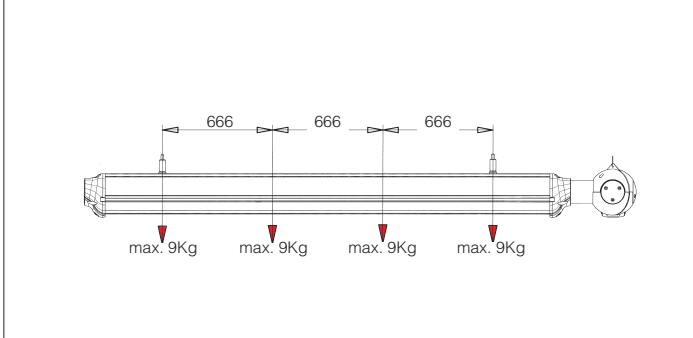
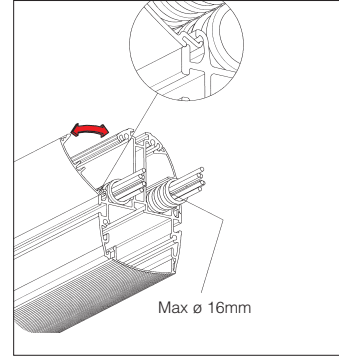
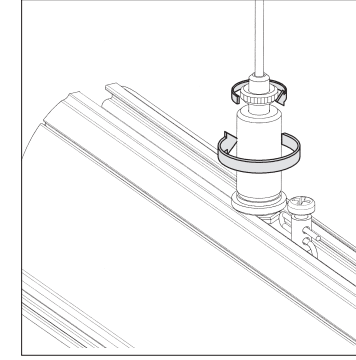
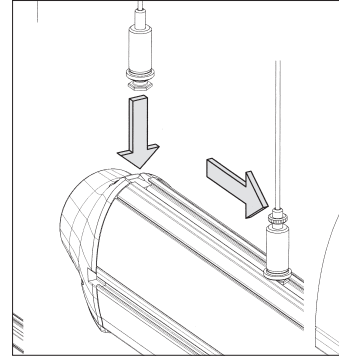
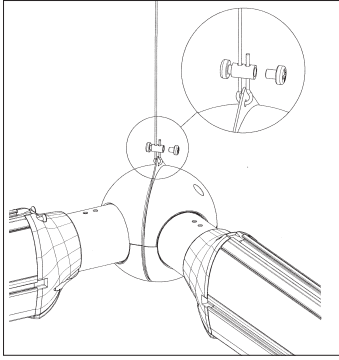
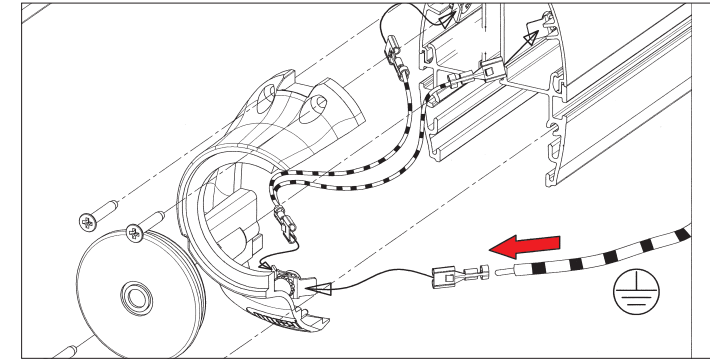
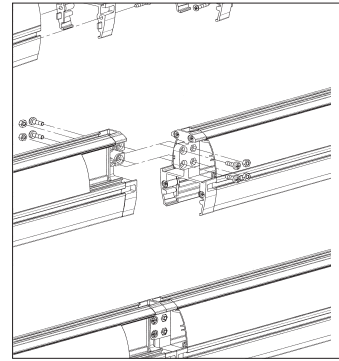
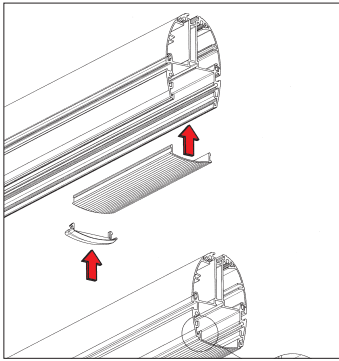
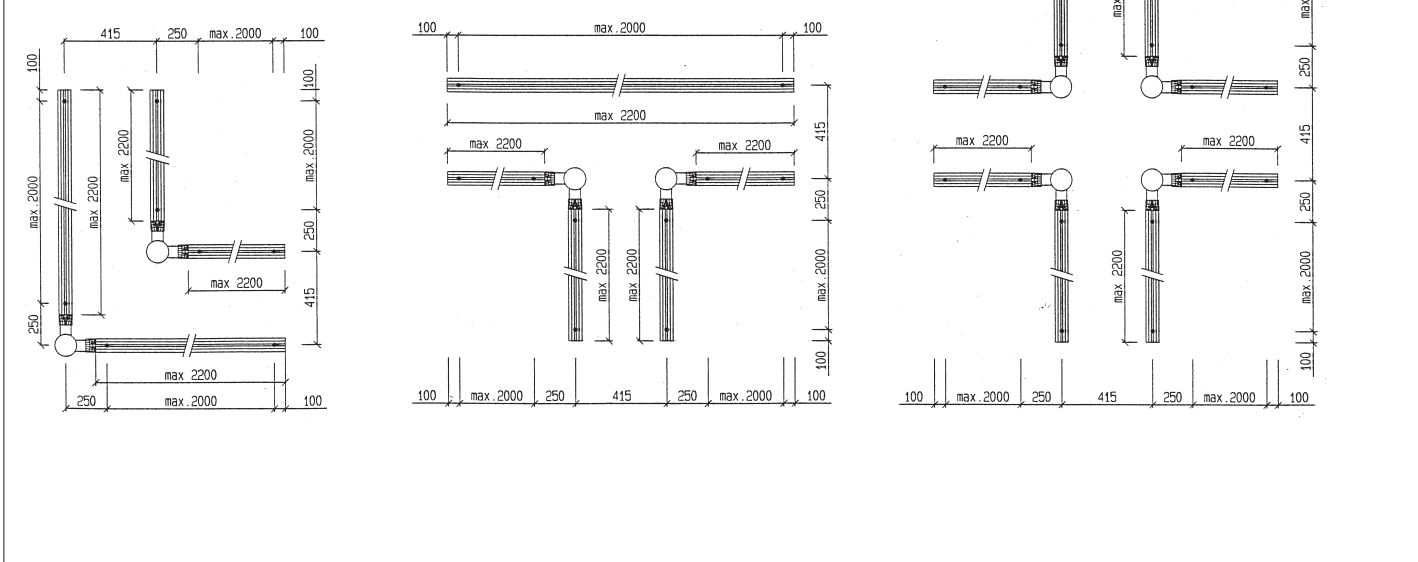
Simple suspension	
nickel-plated	22003166-00
Supplied with steel wire (l=1.75m) with millimetre adjustment device. Max load: 20 kg.	



The quota is the difference between the external and internal structure with respect to the angle.

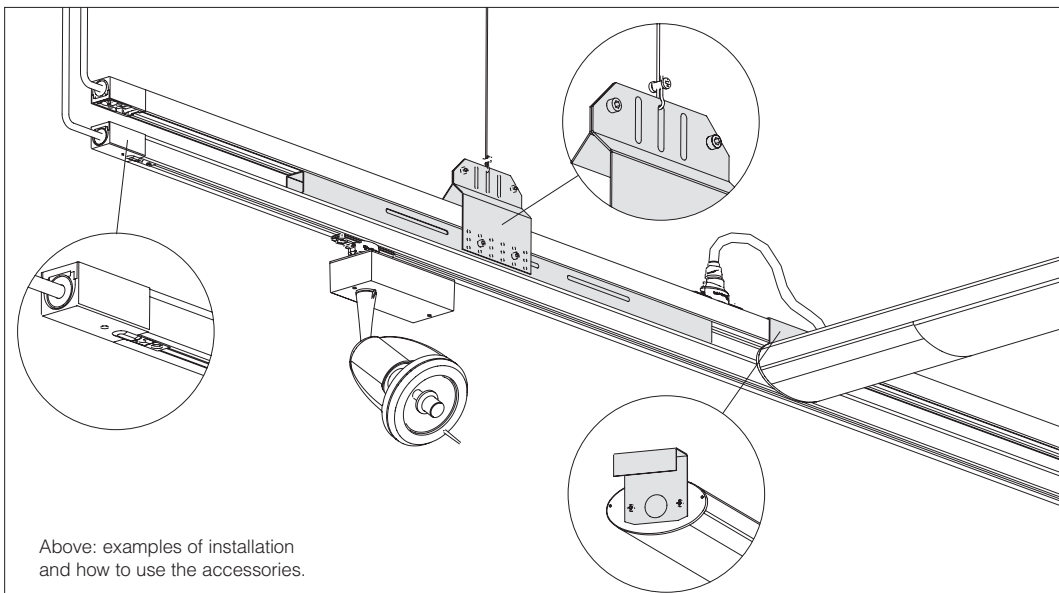


	A	B		A	B
Alfa = 180°	0	415	Alfa = 130°	193,5	458
Alfa = 170°	36	417	Alfa = 120°	240	479
Alfa = 160°	73	421,5	Alfa = 110°	290,5	506,5
Alfa = 150°	111	430	Alfa = 100°	348	542
Alfa = 140°	151	442	Alfa = 90°	415	587

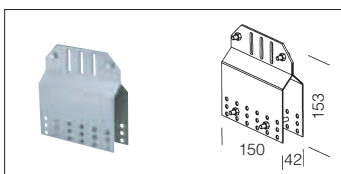




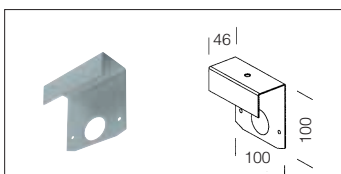
This structure is obtained by using the appropriate accessories with the OMNITRACK track. The 2-way track's main feature is the possibility to use it as an electrified track for accent light floodlights (lower side), and as a load-bearing system to support a ceiling fixture for general lighting.



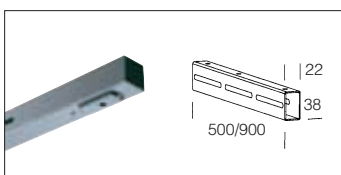
Above: examples of installation and how to use the accessories.



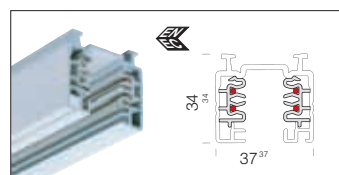
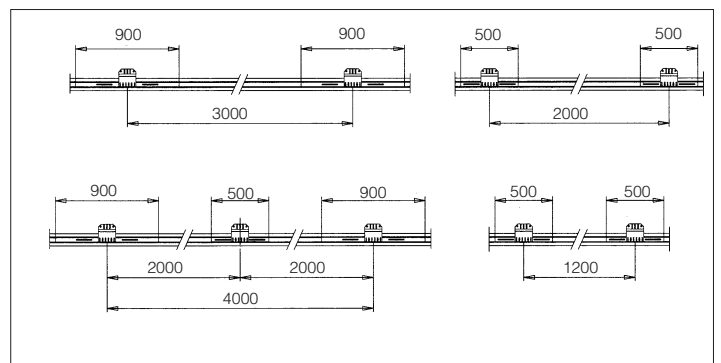
Bracket suspension		
steel		22024870-00
For suspension and installation of two Omnitrack tracks.		



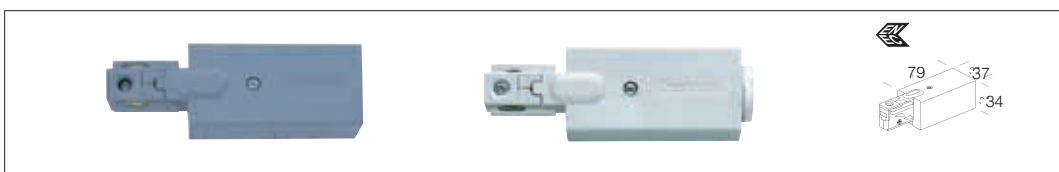
Ceiling fixture mounting bracket		
steel		22024871-00
The coupler permits the installation of the "OVALE" and "TOP" fixtures on the double track.		



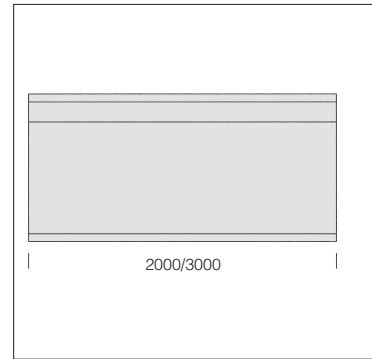
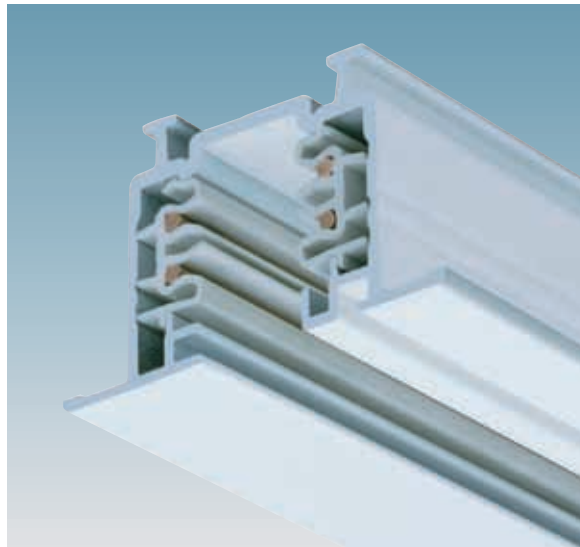
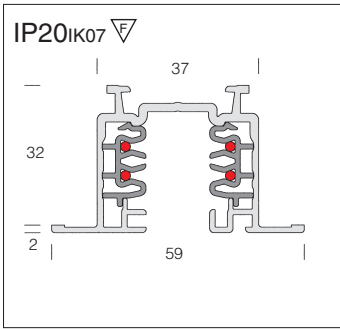
Track bracket		
steel	L=500	22024875-00
steel	L=900	22024879-00
Made in steel. To join two Omnitracks and to attach bracket acc. 22024870-00.		



Omnitrack	
To select the Omnitrack to be used, please see page 6.	



Power supply	
white	22025102-00
grey	22025110-00
black	22025131-00
dark grey	22025174-00
Provides power to the track.	



Recessed Omnitrack			
		S	
m	colour	weight	code
2.00	Al. ox. nat.	2.70	22015572-00
2.00	white	2.70	22015513-00
3.00	Al. ox. nat.	4.00	22015674-00
3.00	white	4.00	22015616-00

Complete with one cap.



Cover for IP40			
500	0,10	white Al.track	22025515-00
500	0,10	black Al. track	22025533-00
500	0,10	Al. ox. nat.	22025572-00

Length = 500mm. To be installed as covers on Omnitrack tracks, in this case the track complies with IP40 rating, in compliance with the CEI EN 60529 standard.

Recessed power supply		
white	0.20	22024710-00
grey	0.20	22024772-00

Made of polycarbonate. Provides power to the track. Quick-connected with a guide pawl and an accessory for selection of phase-neutral position. It allows input of the power cable. It allows linear, L-shaped, T-shaped or cross-joint connections.

