



Housing: in self-extinguishing, vandal resistant polycarbonate and in black galvanised sheet metal.

Lampholder: Polycarbonate with phosphorous bronze contacts.

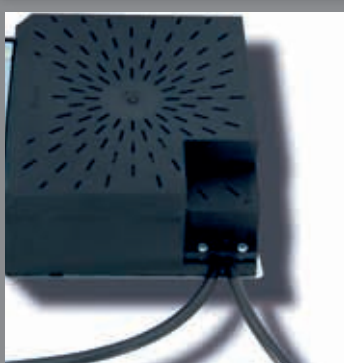
Electric gear: 230V/50Hz power supply: Hard wire, cross-section 0.50 sqmm, and high-temperature resistant (up to 90°C) PVC-HT sheath, in accordance with CEI 20-20 standards. 2P+T terminal block (maximum allowed lead cross-section 2.5 sqmm.).

Equipment: Control gear located on the side of the housing inside a polycarbonate box with cooling slots; flush springs from 1mm up to 40mm.

Emergency version: With separate electric gear box, in maintained version. In the event of a black-out a single lamp connected to the back-up circuit stays on. Run time: 60 minutes.

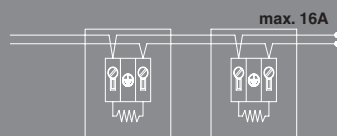


On request: Office 1 version with aluminium rim.



LOOP-IN

“Loop-in” refers to a connection system to the mains power supply of two or more lighting fixtures, where each conductor comes in and out of the same terminal. (see drawing).



Equipped with:

- PVC cable H05V2V2-F3G1.5 (the length of the outlet cable varies from 0.5 to 1, 2, 3 m);
- 3 pole plug GST18i3 supplied with a socket for connection to the system

- PVC H05VV-F5G1.5 cable (the length of the outlet cable varies from 0.5 to 1, 2, 3 m);
- 5 pole plug GST18i5 can be used with boxes or emergency equipment, and for connection to systems supplied with a plug



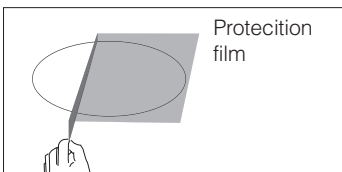
Standard version



Silver-coated spotlight version, **+20%** energy efficiency

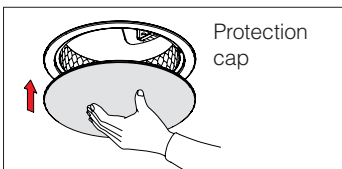


Silver-coated spotlight version, **+20%** energy efficiency
The silver coating process increases light efficiency. Anti-iridescent, clear coat finish for improved protection. Increased energy efficiency = power savings.



Protection film

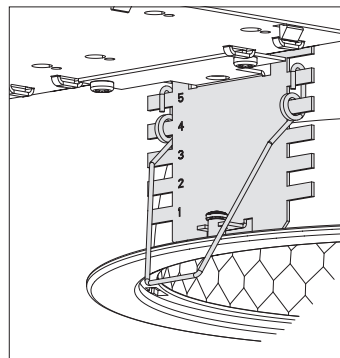
Supplied with flush-finish spring to provide perfect adherence to the false ceiling, 1mm - 40mm thick.

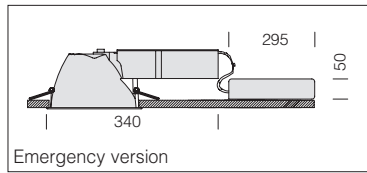
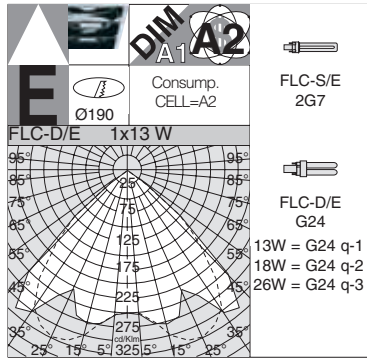


Protection cap

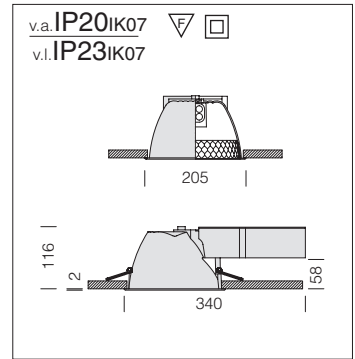
Available upon request: protection film to be removed after the installation has been completed, to prevent the lamp from getting dirty or scratched. High energy efficiency and visual comfort

Or protection end cap code **22091865-00**.





Emergency version

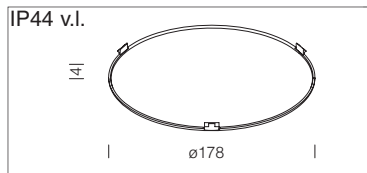


Housing: In black galvanised sheet metal.

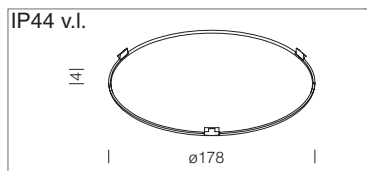
Reflector: V2 self-extinguishing polycarbonate, metallized with aluminium powders through a C.V.D. hard-vacuum process for greater luminous efficiency and improved light control, IP44 with diffuser.

Office 1 - 65° - with aluminium rim

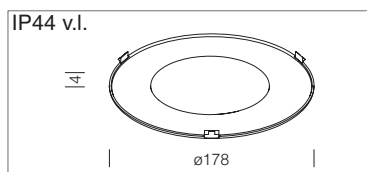
		CELL		CELL-E		Lamps (Ta=25°C)
wattage	colour	weight	code	weight	code	Kelvin - l _m - Ra
FLC-S/E 1x7	white	0,50	22151917-00	1,60	22151917-09	4000K - 400 lm - Ra 1b
FLC-S/E 1x9	white	0,50	22151919-00	1,60	22151919-09	4000K - 600 lm - Ra 1b
FLC-D/E 1x13	white	0,60	22151910-00	1,70	22151910-09	4000K - 900 lm - Ra 1b
FLC-D/E 1x18	white	0,60	22151911-00	1,70	22151911-09	4000K - 1200 lm - Ra 1b
FLC-D/E 1x26	white	0,60	22151913-00			4000K - 1800 lm - Ra 1b



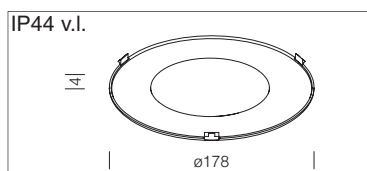
Clear diffuser
22092210-00
In polycarbonate.



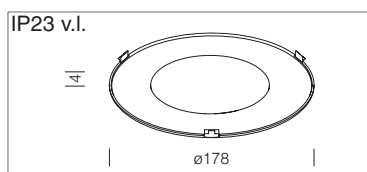
Silk-screen printed diffuser
22092211-00
In anti-glare silk-screen printed polycarbonate.



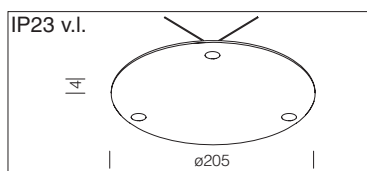
External silk-screen printed diffuser
22092212-00
In polycarbonate, silk-screen printed along the edges for side light control.



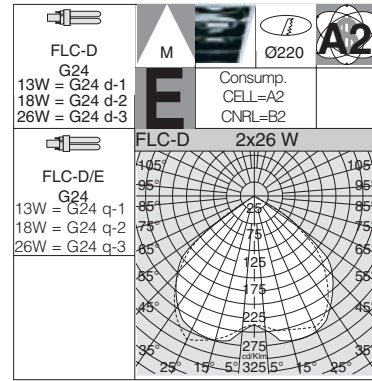
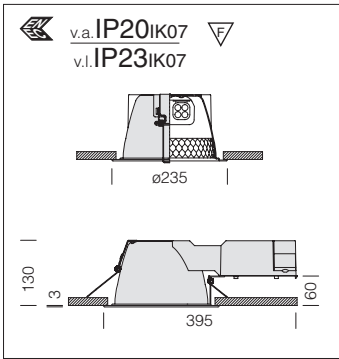
Internal silk-screen printed diffuser
22092213-00
In polycarbonate, silk-screen printed in the middle, anti-glare.



Silk-screen printed diffuser with central hole
22092214-00
In polycarbonate, silk-screen printed along the edges, central hole for decorative effect and to allow air circulation.



Silk-screen printed glass
22092215-00

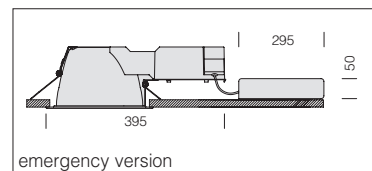
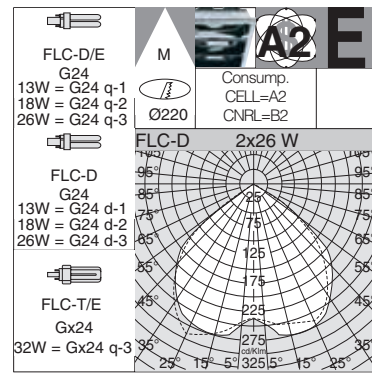
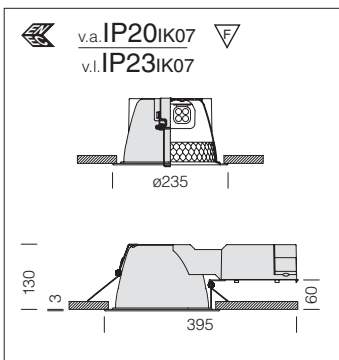


Reflector: V2 self-extinguishing polycarbonate, metallized with aluminium powders through a C.V.D. hard-vacuum process for greater luminous efficiency and improved light control. With white rim RAL 9010.

Office 3 - 65° with white aluminium RAL 9010

puissance/W	couleur	CNRL		CNRL-E		CELL		CELL-E	
		weight	code	weight	code	weight	code	weight	code
FLC-D 1x26	white	1,50	22152010-00						
FLC-D 2x13	white	1,90	22152014-00						
FLC-D 2x18	white	1,90	22152018-00						
FLC-D 2x26	white	2,00	22152019-00						
FLC-D/E 1x26	white					1,30	22152010-08	2,40	22152010-09
FLC-D/E 2x13	white					1,30	22152014-08	2,40	22152014-09
FLC-D/E 2x18	white			2,00	22152018-07	1,30	22152018-08	2,40	22152018-09
FLC-D/E 2x26	white			2,00	22152019-07	1,30	22152019-08	2,40	22152019-09

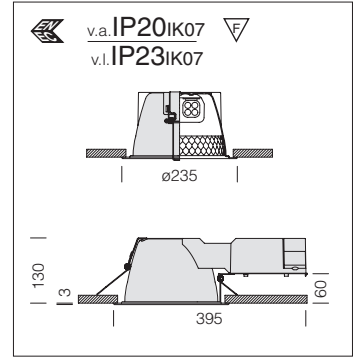
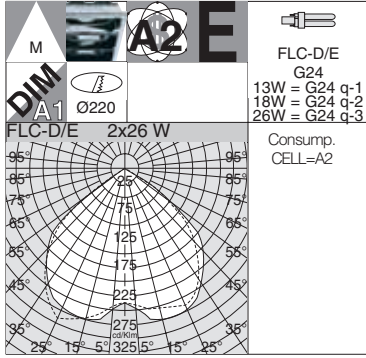
puissance/W	couleur	CELL-D (1-10V)		CELLD-E (1-10V)		CELLD-DIG (dali)		CELLD-DIG-E (dali)	
		weight	code	weight	code	weight	code	weight	code
FLC-D-D/E 2x18	white	2,00	22152018-12	3,10	22152018-94				
FLC-D-D/E 2x26	white	2,00	22152019-12	3,10	22152019-94	2,00	22152019-1241	3,10	22152019-9441



Reflector: V2 self-extinguishing polycarbonate, metallized with aluminium powders through a C.V.D. hard-vacuum process for greater luminous efficiency and improved light control.

Office 2 - 65° with aluminium rim

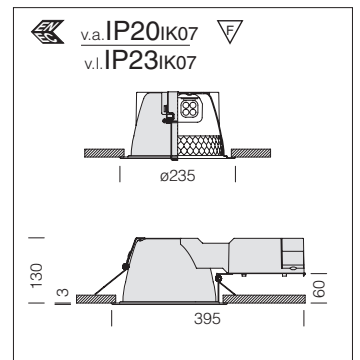
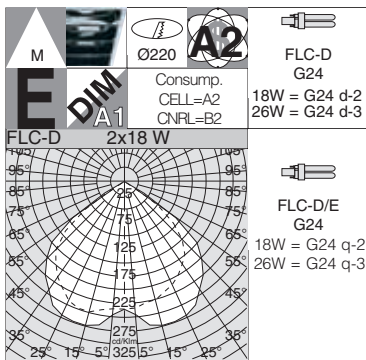
puissance/W	couleur	CNRL		CNRL-E		CELL		CELL-E	
		weight	code	weight	code	weight	code	weight	code
FLC-D 1x26	aluminium	1,50	22152012-00						
FLC-D 2x13	aluminium	1,90	22152015-00						
FLC-D 2x18	aluminium	1,90	22152016-00						
FLC-D 2x26	aluminium	2,00	22152017-00						
FLC-D/E 1x26	aluminium					1,30	22152012-08	2,40	22152012-09
FLC-D/E 2x13	aluminium					1,30	22152015-08	2,40	22152015-09
FLC-D/E 2x18	aluminium					1,30	22152016-08	2,40	22152016-09
FLC-D/E 2x26	aluminium					1,30	22152017-08	2,40	22152017-09
FLC-D-D/E 1x26	aluminium			2,90	22152012-07				
FLC-D-D/E 2x13	aluminium			3,10	22152015-07				
FLC-D-D/E 2x18	aluminium			3,10	22152016-07				
FLC-D-D/E 2x26	aluminium			3,10	22152017-07				
FLC-T/E 1x32	aluminium					1,30	22152013-00	2,40	22152013-09



Reflector: V2 self-extinguishing polycarbonate, metallized with aluminium powders through a C.V.D. hard-vacuum process for greater luminous efficiency and improved light control.

Office 2 - 65° with aluminium rim DIMM 1-10V version						
		CELL-D (1-10V)		CELLD-E (1-10V)		Lamps (Ta=25°C)
wattage	colour	weight	code	weight	code	Kelvin - ølm - Ra
FLC-D/E 1x26	aluminium	1,30	22152012-12	2,40	22152012-94	4000K - 1800 lm - Ra 1b
FLC-D/E 2x13	aluminium	1,40	22152015-12	2,50	22152015-94	4000K - 900 lm - Ra 1b
FLC-D/E 2x18	aluminium	1,40	22152016-12	2,50	22152016-94	4000K - 1200 lm - Ra 1b
FLC-D/E 2x26	aluminium	1,40	22152017-12	2,50	22152017-94	4000K - 1800 lm - Ra 1b

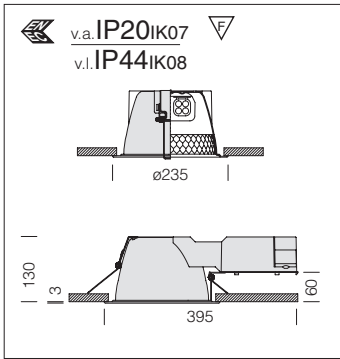
Office 2 - 65° with aluminium rim DIMM DALI version						
		CELLD-DIG (dali)		CELLD-DIG-E (dali)		Lamps (Ta=25°C)
wattage	colour	weight	code	weight	code	Kelvin - ølm - Ra
FLC-D/E 2x26	aluminium	1,40	22152017-1241	2,50	22152017-9441	4000K - 1800 lm - Ra 1b



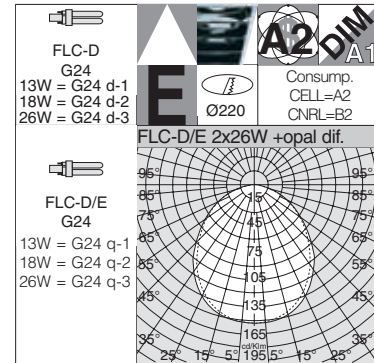
Reflector: V2 self-extinguishing polycarbonate, metallized with aluminium powders through a C.V.D. hard-vacuum process for greater luminous efficiency and improved light control.

Office 4 - 65° with black rim						
		CNRL		CNRL-E		Lamps (Ta=25°C)
wattage	colour	weight	code	weight	code	Kelvin - ølm - Ra
FLC-D 2x18	black	1,90	22152031-00			4000K - 1200 lm - Ra 1b
FLC-D 2x26	black	2,00	22152033-00			4000K - 1800 lm - Ra 1b
FLC-D-D/E 2x18	black			3,00	22152031-07	4000K - 1200 lm - Ra 1b
FLC-D-D/E 2x26	black			3,10	22152033-07	4000K - 1800 lm - Ra 1b
		CELL		CELL-E		Lamps (Ta=25°C)
wattage	colour	weight	code	weight	code	Kelvin - ølm - Ra
FLC-D-D/E 2x18	black	1,30	22152031-08	2,40	22152031-09	4000K - 1200 lm - Ra 1b
FLC-D-D/E 2x26	black	1,30	22152033-08	2,40	22152033-09	4000K - 1800 lm - Ra 1b

Office 4 - 65° with black rim									
		CELL-D (1-10V)		CELLD-E (1-10V)		CELLD-DIG (dali)		CELLD-DIG-E (dali)	
wattage	colour	weight	code	weight	code	weight	code	weight	code
FLC-D-D/E 2x26	black	1,30	22152033-12	2,40	22152033-94	1,30	22152033-1241	2,50	221520339441



Reflector: V2 self-extinguishing polycarbonate, metallized with aluminium powders through a C.V.D. hard-vacuum process for greater luminous efficiency and improved light control. Equipped with opal diffuser which transforms the article into IP44.

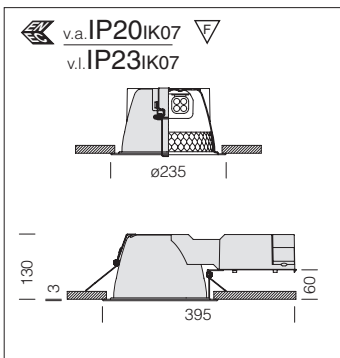


Office 5 IP44 - 65° aluminium rim and IP44 opal diffuser

wattage	colour	CNRL		CELL		CELL-E		Lamps (Ta=25°C)	
		weight	code	weight	code	weight	code	Kelvin - olm - Ra	
FLC-D 1x26	aluminium	1,60	22152210-00					4000K - 1800 lm - Ra 1b	
FLC-D 2x13	aluminium	2,00	22152211-00					4000K - 900 lm - Ra 1b	
FLC-D 2x18	aluminium	2,00	22152212-00					4000K - 1200 lm - Ra 1b	
FLC-D/E 1x26	aluminium			1,30	22152210-08	2,40	22152210-09	4000K - 1800 lm - Ra 1b	
FLC-D/E 2x13	aluminium			1,30	22152211-08	2,40	22152211-09	4000K - 900 lm - Ra 1b	
FLC-D/E 2x18	aluminium			1,40	22152212-08	2,50	22152212-09	4000K - 1200 lm - Ra 1b	
FLC-D/E 2x26	aluminium			1,40	22152216-08	2,50	22152216-09	4000K - 1800 lm - Ra 1b	

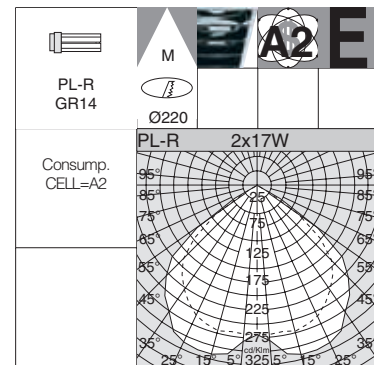
Office 5 IP44 - 65° aluminium rim and IP44 opal diffuser

wattage	colour	CELL-D (1-10V)		CELLD-E (1-10V)		CELLD-DIG (dali)		CELLD-DIG-E (dali)	
		weight	code	weight	code	weight	code	weight	code
FLC-D/E 2x26	aluminium	1,40	22152216-12	2,50	22152216-94	1,40	22152216-1241	2,60	22152216-9441



PL-R Eco 2x14W = FLC 2x18W
PL-R Eco 2x17W = FLC 2x26W

A new version of Office comes with **PL-R Eco** lamps that save up to 25% electricity in contrast with ordinary compact fluorescent lamps, and higher working life 24,000h. The new swivelling base facilitates installation procedures. It is equipped with a environmentally friendly lamp that has the lowest mercury content and the lowest energy consumption rate, based on the same luminous flux.



Office 6 - 65° with PL-R lamp

wattage	colour	CELL		CELL-E		Lamps (Ta=25°C)	
		weight	code	weight	code	Kelvin - olm - Ra	
PL-R 1x14	aluminium	1,30	22152071-00	2,40	22152071-09	4000K - 1050 lm - Ra 1b	
PL-R 1x17	aluminium	1,30	22152072-00	2,40	22152072-09	4000K - 1250 lm - Ra 1b	
PL-R 2x14	aluminium	1,30	22152074-00	2,40	22152074-09	4000K - 1050 lm - Ra 1b	
PL-R 2x17	aluminium	1,30	22152075-00	2,40	22152075-09	4000K - 1250 lm - Ra 1b	
FLC-T/E 1x32	aluminium	1,30	22152013-00	2,40	22152013-09	4000K - 2400 lm - Ra 1b	

wattage	colour	CELLD-DIG (dali)		CELLD-DIG-E (dali)		Lamps (Ta=25°C)	
		weight	code	weight	code	Kelvin - olm - Ra	
PL-R 2x17	aluminium	1,30	22152075-1241	2,40	22152075-9441	4000K - 1250 lm - Ra 1b	

Equipped with with PL-R Eco energy saving lamp: -25%.

M	A2 E	FLC-D/E G24
Consump. CELL=A2 CNRL=B2	18W = G24 q-2 26W = G24 q-3	
Ø220	FLC-D/E 2x26 W	PL-R GR14

Emergency version



v.a. IP20IK07
v.l. IP23IK07

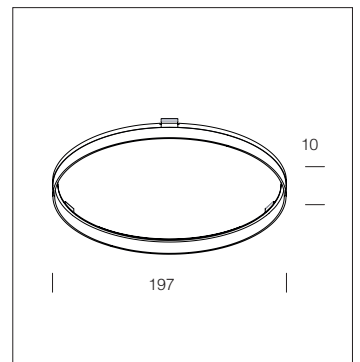
Reflector: Silver-coated spotlight version, +20% energy efficiency. The silver coating process increases light efficiency. Anti-iridescent, clear coat finish for improved protection. Increased energy efficiency=power savings.

Office 9 - 65° with silver reflector						
		CELL		CELL-E		Lamps (Ta=25°C)
wattage	colour	weight	code	weight	code	Kelvin - ølm - Ra
PL-R 2x14	silver	1,40	22153974-00	2,50	22153974-09	4000K - 1050 lm - Ra 1b
PL-R 2x17	silver	1,40	22153977-00	2,50	22153977-09	4000K - 1250 lm - Ra 1b
FLC-D/E 2x18	silver	1,30	22153978-00	2,40	22153978-09	4000K - 1200 lm - Ra 1b
FLC-D/E 2x26	silver	1,30	22153976-00	2,40	22153976-09	4000K - 1800 lm - Ra 1b

PL-R Eco 2x14W = FLC 2x18W
PL-R Eco 2x17W = FLC 2x26W

A new version of Office comes with **PL-R Eco** lamps that save up to 25% electricity in contrast with ordinary compact fluorescent lamps. and higher working life (24,000h). The new swivelling base facilitates installation procedures. It is equipped with an environmentally friendly lamp that has the lowest mercury content and the lowest energy consumption rate, based on the same luminous flux.

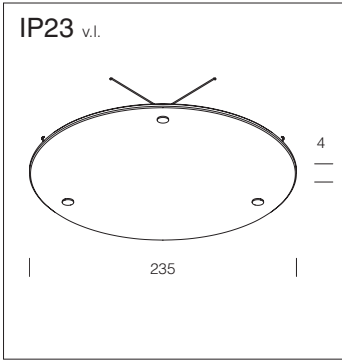
		CELLD-DIG (dali)		CELLD-DIG-E (dali)		Lamps (Ta=25°C)
wattage	colour	weight	code	weight	code	Kelvin - ølm - Ra
PL-R 2x14	silver	1,40	22153974-1241	2,50	22153974-9441	4000K - 1050 lm - Ra 1b
PL-R 2x17	silver	1,40	22153977-1241	2,50	22153977-9441	4000K - 1250 lm - Ra 1b
FLC-D/E 2x18	silver	1,30	22153978-1241	2,40	22153978-9441	4000K - 1200 lm - Ra 1b
FLC-D/E 2x26	silver	1,30	22153976-1241	2,40	22153976-9441	4000K - 1800 lm - Ra 1b



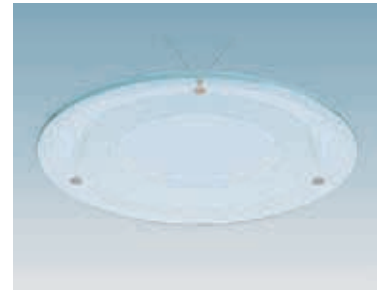
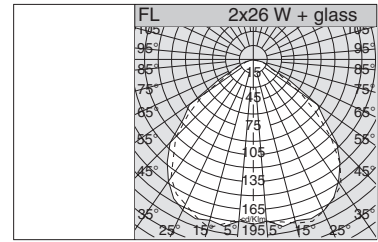
Decorative ring in coloured polycarbonate.



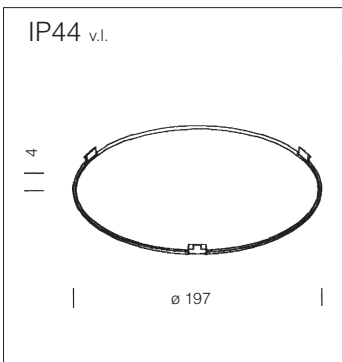
Coloured ring	
red	22091828-00
green	22091845-00
yellow	22091856-00
blue	22091887-00



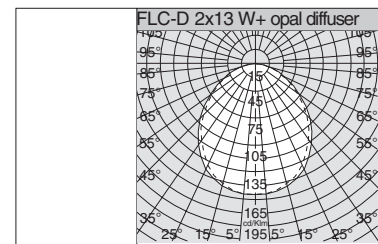
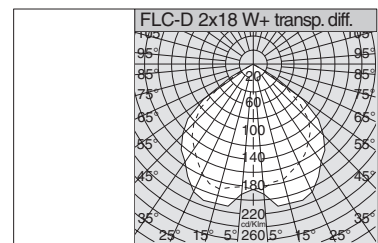
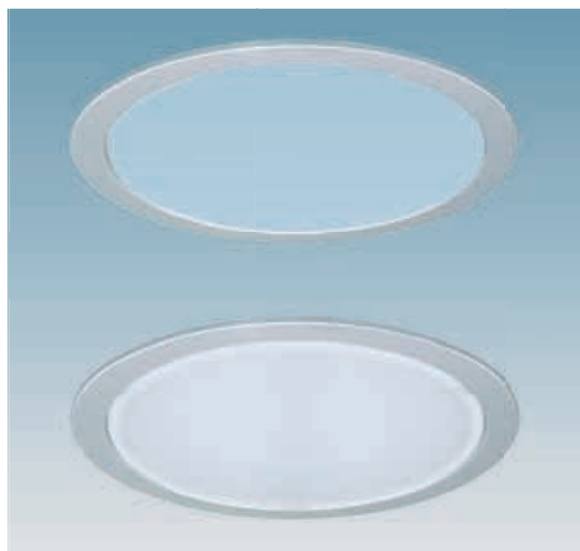
Tempered printed glass with wishbone springs.



Glass	
printed	22092314-00



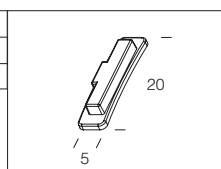
Diffuser in polycarbonate. **When used Office 2/3/4/6/9 becomes IP44.** 60598-2-2 standard is recommended for electronic versions.



Office 2-3-4-6-9 diffuser	
transparent	22091860-00
opal	22091861-00



Cap for Office	
grey	22091808-00
Infill caps for an improved aesthetic finish	





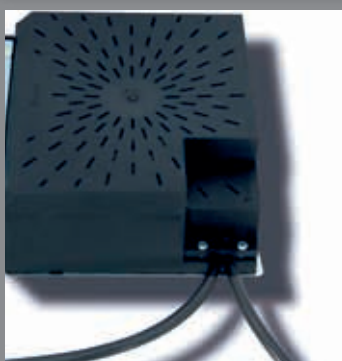
Housing: in self-extinguishing, vandal resistant polycarbonate and in black galvanised sheet metal.

Lampholder: Polycarbonate with phosphorous bronze contacts.

Electric gear: 230V/50Hz power supply: Hard wire, cross-section 0.50 sqmm, and high-temperature resistant (up to 90°C) PVC-HT sheath, in accordance with CEI 20-20 standards. 2P+T terminal block (maximum allowed lead cross-section 2.5 sqmm.).

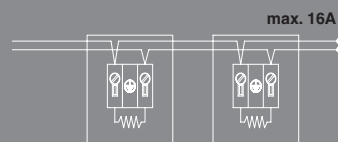
Equipment: Control gear located on the side of the housing inside a polycarbonate box with cooling slots; flush springs from 1mm up to 40mm.

Emergency version: With separate electric gear box, in maintained version. In the event of a black-out a single lamp connected to the back-up circuit stays on. Run time: 60 minutes.



LOOP-IN

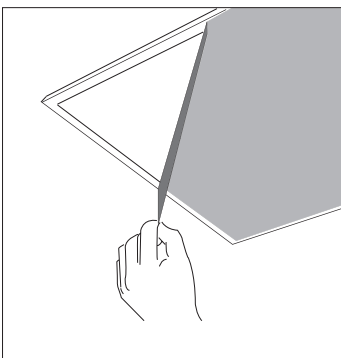
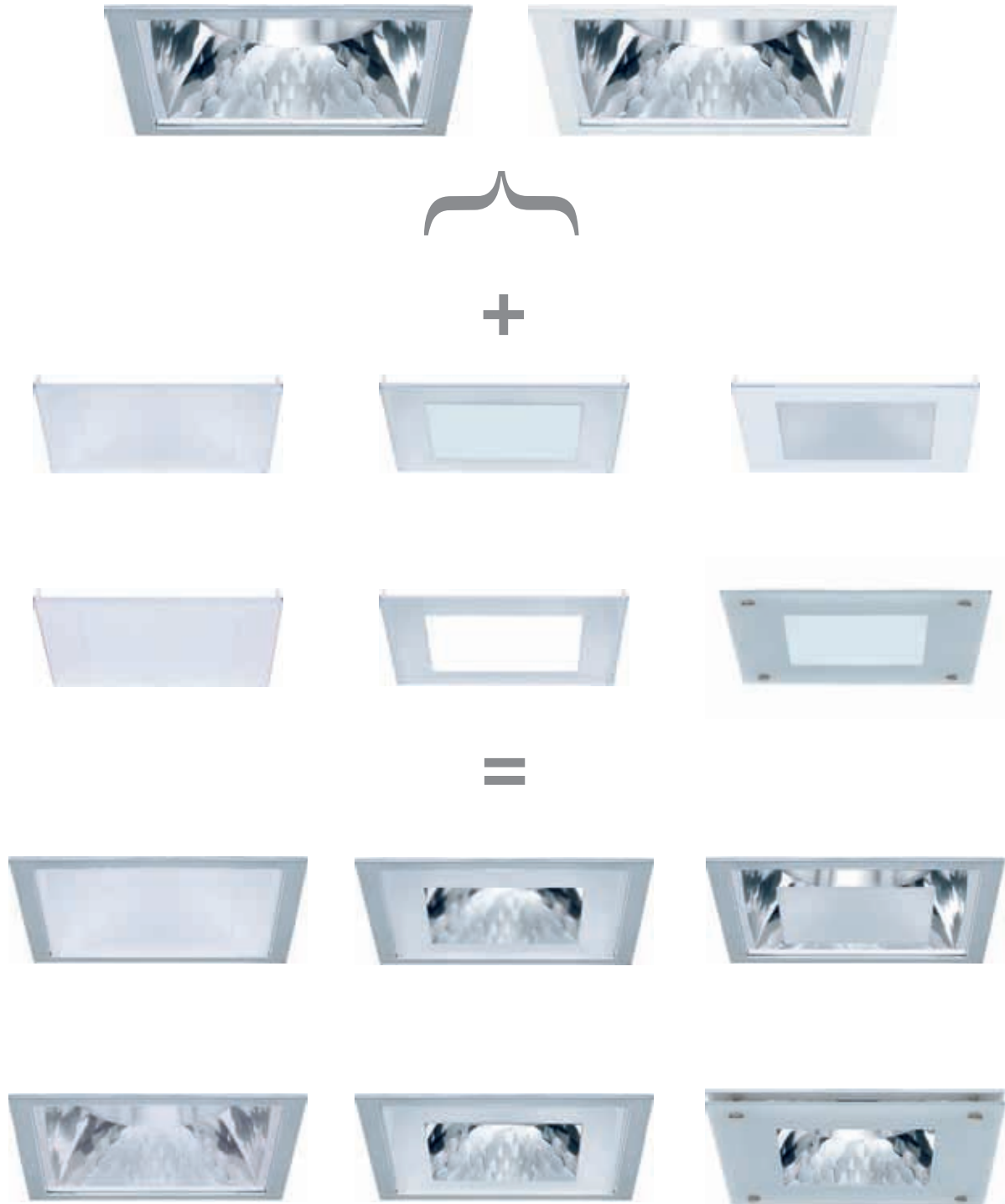
“Loop-in” refers to a connection system to the mains power supply of two or more lighting fixtures, where each conductor comes in and out of the same terminal. (see drawing).



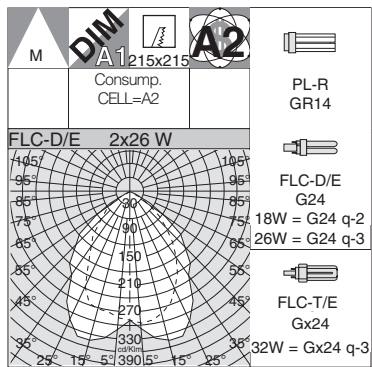
Equipped with:

- PVC cable H05V2V2-F3G1.5 (the length of the outlet cable varies from 0.5 to 1, 2, 3 m);
- 3 pole plug GST18i3 supplied with a socket for connection to the system

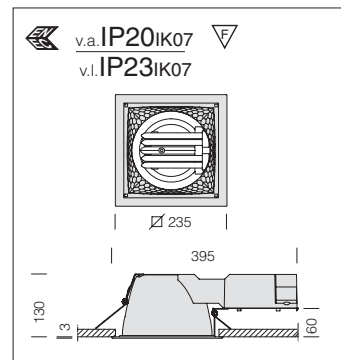
- PVC H05VV-F5G1.5 cable (the length of the outlet cable varies from 0.5 to 1, 2, 3 m);
- 5 pole plug GST18i5 can be used with boxes or emergency equipment, and for connection to systems supplied with a plug



Available on request: protection film to be removed after the installation has been completed, to prevent the optics from getting dirty or scratched. High energy efficiency and visual comfort.



PL-R Eco: the new swivelling base facilitates installation procedures. It is equipped with an environmentally friendly lamp that has the lowest mercury content and the lowest energy consumption rate, based on the same luminous flux.

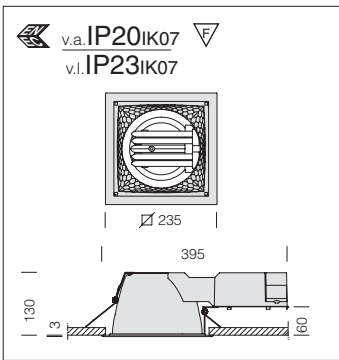


Reflector: V2 self-extinguishing polycarbonate, metallized with aluminium powders through a C.V.D. hard-vacuum process for greater luminous efficiency and improved light control.

Office 7

		CELL		CELL-E		CELL-D (1-10V)		Lamps (Ta=25°C)	
wattage/W	color	weight	code	weight	code	weight	code	Kelvin - ølm - Ra	
PL-R 1x14	aluminium	1,30	22154076-00	2,40	22154076-09			4000K - 1050 lm - Ra 1b	
PL-R 1x17	aluminium	1,30	22154077-00	2,40	22154077-09			4000K - 1250 lm - Ra 1b	
PL-R 2x14	aluminium	1,30	22154078-00	2,40	22154078-09			4000K - 1050 lm - Ra 1b	
PL-R 2x17	aluminium	1,30	22154079-00	2,40	22154079-09			4000K - 1250 lm - Ra 1b	
FLC-D/E 1x26	aluminium	1,30	22154075-00					3000K - 1800 lm - Ra 1b	
FLC-D/E 2x18	aluminium	1,30	22154071-00	2,40	22154071-09	1,40	22154071-12	3000K - 1200 lm - Ra 1b	
FLC-D/E 2x26	aluminium	1,30	22154073-00	2,40	22154073-09	1,40	22154073-12	3000K - 1800 lm - Ra 1b	
FLC-D/E 2x18	aluminium	1,30	22154072-00	2,40	22154072-09	1,40	22154072-12	4000K - 1200 lm - Ra 1b	
FLC-D/E 2x26	aluminium	1,30	22154074-00	2,40	22154074-09	1,40	22154074-12	4000K - 1800 lm - Ra 1b	
FLC-T/E 1X32	aluminium	1,30	22154070-00	2,40	22154070-09			4000K - 2400 lm - Ra 1b	

		CELLD-E (1-10V)		CELLD-DIG (dali)		CELLD-DIG-E (dali)		Lamps (Ta=25°C)	
wattage/W	color	weight	code	weight	code	weight	code	Kelvin - ølm - Ra	
FLC-D/E 2x26	aluminium	2,40	22154074-94	1,40	22154074-1241	2,40	22154074-9441	4000K - 1800 lm - Ra 1b	



	M	DIM		
PL-R GR14	Consump. CELL=A2			
	FLC-D/E 2x26 W			
FLC-D/E G24	18W = G24 q-2			
FLC-D/E G24	26W = G24 q-3			
	FLC-T/E Gx24			
FLC-T/E Gx24	32W = Gx24 q-3			

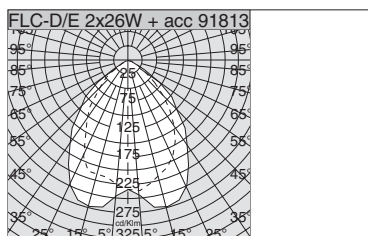
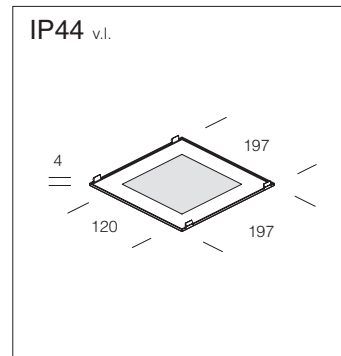
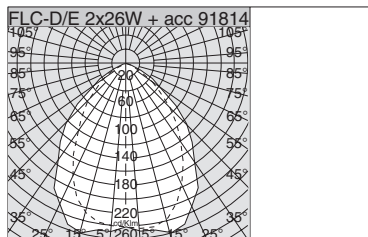
Reflector: V2 self-extinguishing polycarbonate, metallized with aluminium powders through a C.V.D. hard-vacuum process for greater luminous efficiency and improved light control. With white rim.

PL-R Eco 2x14W = FLC 2x18W
 PL-R Eco 2x17W = FLC 2x26W

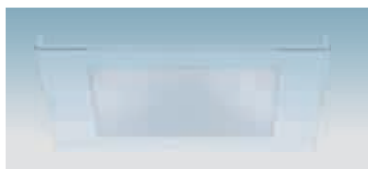
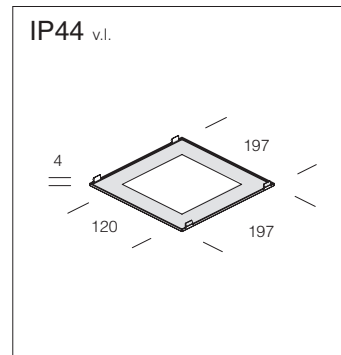
A new version of Office comes with **PL-R Eco** lamps that save up to 25% electricity in contrast with ordinary compact fluorescent lamps. and higher working life (24,000h).

Office 8 - with white RAL 9010 rim						
		CELL		CELL-E		Lamps (Ta=25°C)
wattage	colour	weight	code	weight	code	Kelvin - ølm - Ra
PL-R 2x14	white	1,30	22154018-00	2,40	22154018-09	4000K - 1050 lm - Ra 1b
PL-R 2x17	white	1,30	22154019-00	2,40	22154019-09	4000K - 1250 lm - Ra 1b
FLC-D/E 2x18	white	1,30	22154011-00	2,40	22154011-09	3000K - 1200 lm - Ra 1b
FLC-D/E 2x26	white	1,30	22154013-00	2,40	22154013-09	3000K - 1800 lm - Ra 1b
FLC-D/E 2x18	white	1,30	22154012-00	2,40	22154012-09	4000K - 1200 lm - Ra 1b
FLC-D/E 2x26	white	1,30	22154014-00	2,40	22154014-09	4000K - 1800 lm - Ra 1b
FLC-T/E 1x32	white	1,30	22154015-00	2,40	22154015-09	4000K - 2400 lm - Ra 1b

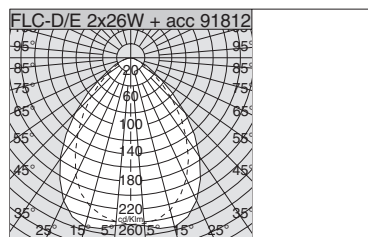
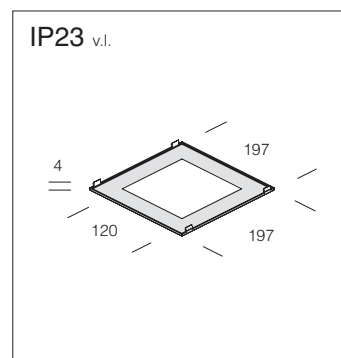
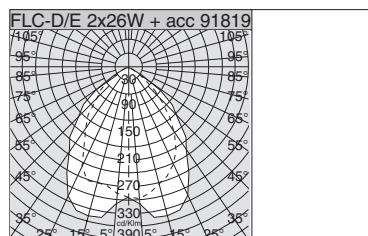
		CELL-D (1-10V)		CELLD-E (1-10V)		CELLD-DIG (dali)		CELLD-DIG-E (dali)		Lamps
wattage	colour	weight	code	weight	code	weight	code	weight	code	Kelvin - ølm - Ra
FLC-D/E 2x26	white	1,30	22154014-12	2,40	22154014-94	1,40	22154014-1241	2,40	22154014-9441	4000K - 1800 lm - Ra 1b



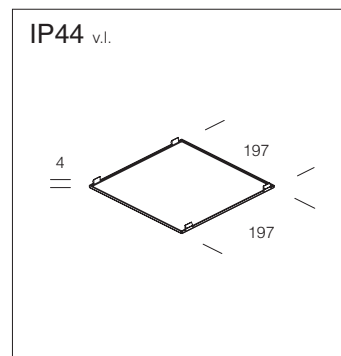
Silk-screened diffuser
22091814-00
In polycarbonate with centre anti-glare silk-screen.



Silk-screened diffuser
22091813-00
In polycarbonate with silk-screened rims for side control.

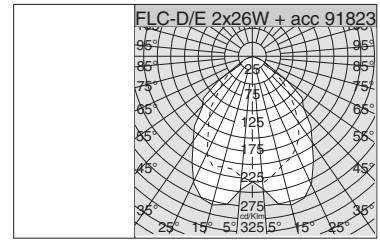
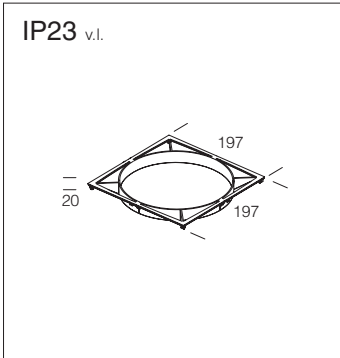
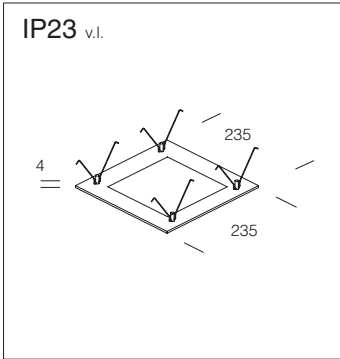


Diffuser with central perforation
22091819-00
In polycarbonate with central square hole for a decorative effect and to allow air circulation.



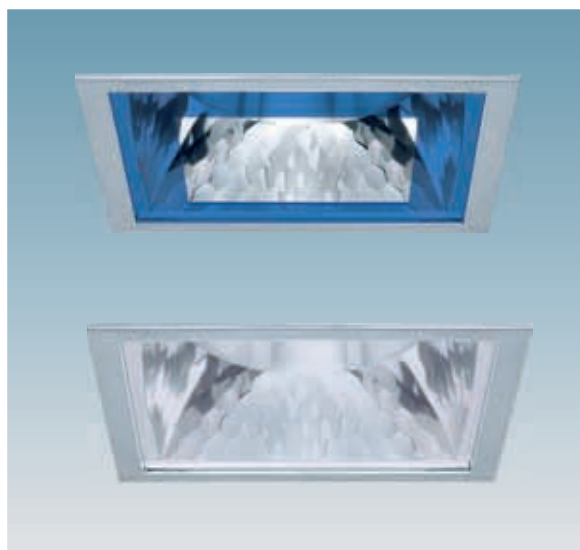
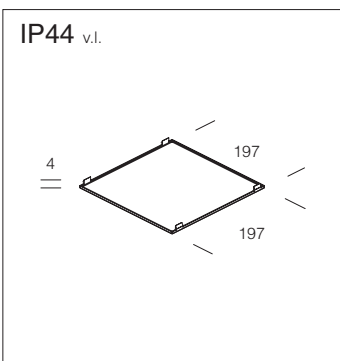
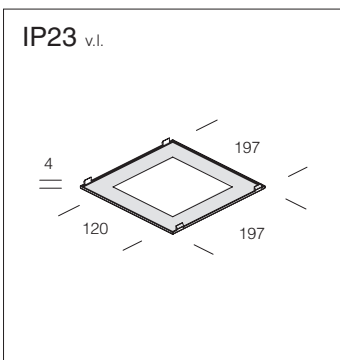
Silk-screened diffuser
22091812-00
In anti-glare polycarbonate diffuser.





Tempered glass	
22091823-00	
Screen-printed tempered glass for decorative purposes. Open along the side to improve light output.	

Dark-light optical 65°	
22091821-00	
Polycarbonate dark light optics for visual comfort to be used in offices equipped with VDT screens	



Coloured diffuser with central perforation	
red	22091829-00
green	22091841-00
yellow	22091855-00
blue	22091886-00
For a decorative effect.	

Cap for Office	
22091807-00	
Infill cap for an improved aesthetic finish.	

Diffuser: In polycarbonate with silk-screened rims with central square hole to allow air circulation.

Transparent diffuser	
polycarbonate	22091824-00

