

Outer casing: made of plastic material, available in different colours, including semi-transparent shades for the LED and LED RGB versions.

Inner casing: in sheet steel, 6/10 thick, white polyester powder coating, UV stabilized. Metal silver outer edge.

Optics: Dark light double parabolic louvers, lengthwise and crosswise in high-reflection aluminium, anti-reflection and anti-iridescence multi layer PVD treatment, very low luminance.

Lampholder: In polycarbonate, with phosphor bronze contacts.

Electric gear: 230-240V/50-60Hz power supply. Hard wire, cross-section 0.5 sq mm and 90° resistant PVC-HT sheath, according to CEI 20-20 standards. A double terminal block with plug-socket connector powers spot modules, maximum allowed lead cross-section: 2.5 sq mm.

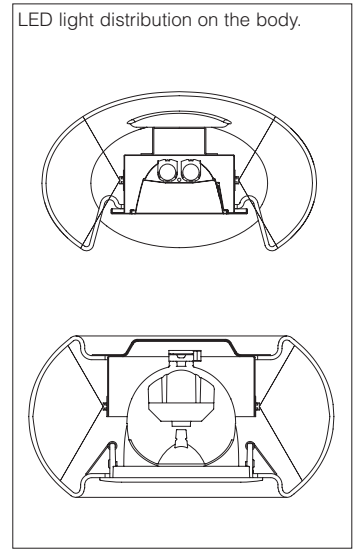
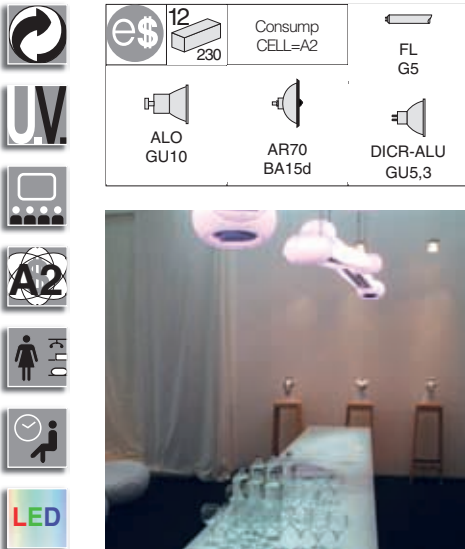
Lamps: T5 lamp, 4000°K, high performance, high luminous efficiency; standard Corner 160 spot supplied. Lotus spot versions are available upon request.



Simulation

Simulation

LUMINAIRES



Navigator 1 - version with SPOT 12V

		CELL-T		CELL-D		Lamps (Ta=25°C)
wattage	colour	weight	code	weight	code	Kelvin - ølm - Ra
FL 1x28 1+1x50W AR70	white	10.60	22212010-00			4000K - 2600 lm - Ra 1b + 3000K - 2000h - 900 lm
FL 1x28 1+1x50W ALU	white	10.60	22212011-00			4000K - 2600 lm - Ra 1b + 3000K - 3000h - 1800cd
FL 2x28 1+1x50W AR70	white	10.60	22212015-00			4000K - 2600 lm - Ra 1b + 3000K - 2000h - 900 lm
FL 2x28 1+1x50W ALU	white	10.60	22212016-00			4000K - 2600 lm - Ra 1b + 3000K - 3000h - 1800cd
FL 1x54 1+1x50W AR70	white			12.20	22212013-12	4000K - 2600 lm - Ra 1b + 3000K - 2000h - 900 lm
FL 1x54 1+1x50W ALU	white			12.20	22212014-12	4000K - 2600 lm - Ra 1b + 3000K - 3000h - 1800cd
FL 2x54 1+1x50W AR70	white			12.20	22212017-12	4000K - 2600 lm - Ra 1b + 3000K - 2000h - 900 lm
FL 2x54 1+1x50W ALU	white			12.20	22212018-12	4000K - 2600 lm - Ra 1b + 3000K - 3000h - 1800cd

Standard version: Fland spot supplied with double switching mode.

Navigator 2 - 3h EM version - SPOT 230V

		CLD CELL-E		Lamps (Ta=25°C)
wattage	colour	weight	code	Kelvin - ølm - Ra
FL 1x54 1+1 LED 230V	white	13.00	22212110-00	4000K - 2600 lm - Ra 1b + neutral - 50000h - 45 lm
FL 2x54 1+1 LED 230V	white	13.00	22212111-00	4000K - 2600 lm - Ra 1b + neutral - 50000h - 45 lm

Standard version: Fland spot supplied with double switching mode.

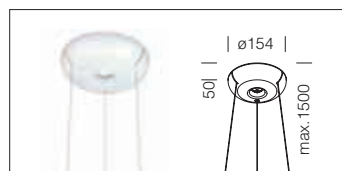
Navigator 3 - version with SPOT 230V and LED

		CLD CELL-T		CLD CELL-D		Lamps (Ta=25°C)	LED		
wattage (350mA)	colour	weight	code	weight	code	Kelvin - ølm - Ra	W tot.	K	ølm 350mA
FL 1x28 1+1 LED 230V	white	12.60	22212212-00			4000K - 2600 lm - Ra 1b + 2900K - 2000h - 950 lm	30,8	5400	2000
FL 2x28 1+1 LED 230V	white	12.60	22212213-00			4000K - 2600 lm - Ra 1b + neutral - 50000h - 45 lm	30,8	5400	2000
FL 1x54 1+1 LED 230V	white			12.60	22212214-12	4000K - 2600 lm - Ra 1b + neutral - 50000h - 45 lm	30,8	5400	2000
FL 2x54 1+1 LED 230V	white			12.60	22212215-12	4000K - 2600 lm - Ra 1b + neutral - 50000h - 45 lm	30,8	5400	2000

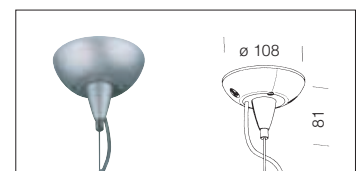
Semi-transparent opal housing. Complete with 5400K white LED (available on request 4700K - 6500K) at 30,8W tot.

Version with coloured LED lights (yellow, blue, green, red) at 26,4W tot. are supplied on request. FL + SPOT and LED are supplied with double switching mode.

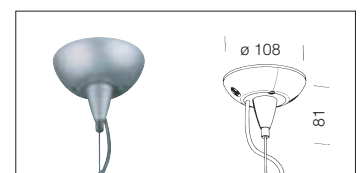
Suspension	
aluminium	22003265-00
Avec trois en acier.	



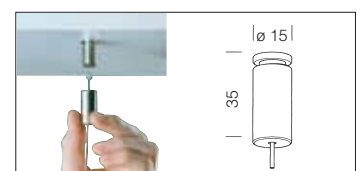
Powered suspension 3 p.	
100 cm	22003173-00
Supplied with steel wire, millimetre adjustment device, and power cord. Max load: 20 Kg. Length 100 cm.	

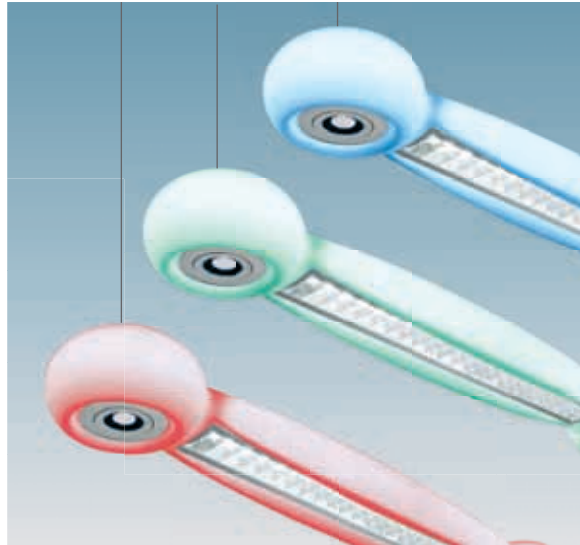
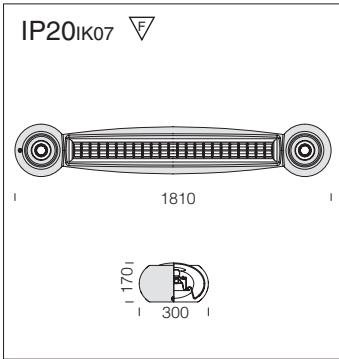


Powered suspension 5 p.	
100 cm	22003178-00
Supplied with steel wire, millimetre adjustment device, and power cord. Max load: 20 Kg. Length 100 cm. For electric gear 5 p. in EM and DIMM versions.	



Simple suspension	
nickel	22003166-00
Supplied with steel wire (l=1,75m) and millimetre adjustment device. Max load: 20 kg.	





FL G5	ALO GU10	e\$ 12 230 Consump CELL=A2
----------	-------------	-------------------------------------



Semi-transparent opal housing. Completed with LED RGB strips of 53,9W tot. integrated with colour control module. To use DMX version order with subcode 0084. FL + SPOT and LED RGB are supplied with double switching mode. On request it can be acquired with IRE receiver and remote control.

Navigator 4 - version with SPOT 230V and LED RGB

wattage (350mA)	colour	CLD CELL-T		CLD CELL-D		Lamps (Ta=25°C) Kelvin - ølm - Ra	LED W tot.
		weight	code	weight	code		
FL 1x28 1+1LED 230V	white	13,00	22212314-00			4000K - 2600 lm - Ra 1b	53,9
FL 2x28 1+1LED 230V	white	13,00	22212315-00			4000K - 2600 lm - Ra 1b	53,9
FL 1x54 1+1LED 230V	white			13,00	22212316-12	4000K - 2600 lm - Ra 1b	53,9
FL 2x54 1+1LED 230V	white			13,00	22212317-12	4000K - 2600 lm - Ra 1b	53,9



Navigator 3: Other colours versions are available on request

SYSTEM DMX

DMX SYSTEM: the system allows to control dmx through DOP controller 22090867-00 or management software DMX 986562-00 an unlimited number of Navigator DMX for changing color of the body diffusing RGB.

- With the DMX SYSTEM can be achieved:
- random mixing of colors for more Navigator
 - same color control for more Navigator

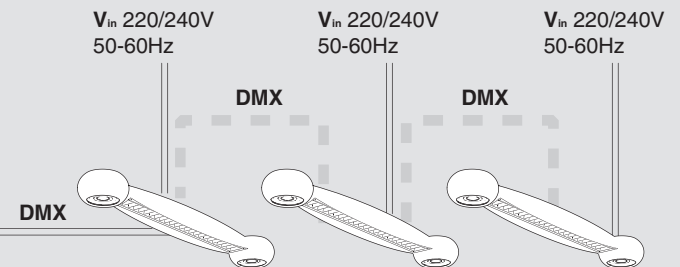
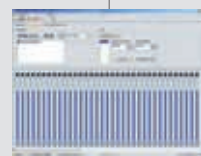
For control of a large number of luminaires (> 16): code 22092052-00 (amplifier DMX)

Navigator Code with Dmx

- 22212314-0084
- 22212315-0084
- 22212316-1284
- 22212317-1284

CONTROLLER

LED D.O.P 22090867-00



PROGRAMMING SOFTWARE DMX

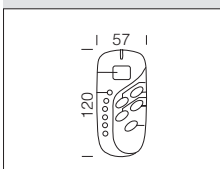
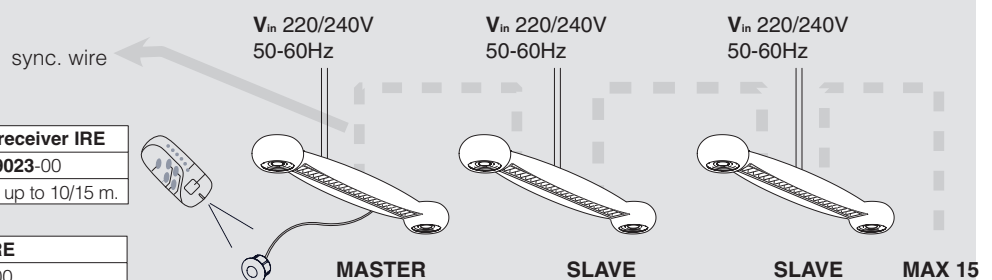
22090863-00

On request: IRE receiver and remote control

Possibility of synchronization between multiple VENERE mode MASTER / SLAVE (max 15 SLAVE). In the order, specify VENERE with Slave settings.

FEATURES:

- standard version included with the program changes color pre-set
- can mix light colours



Remote control with receiver IRE	
22099023-00	
Control work a distance of up to 10/15 m.	
Receiver IRE	
22099050-00	