



Adequate lighting provides improved perception of the environment and a comfortable feeling with our surroundings. This is the concept underlying the creation of the Milano recessed floodlight, ideal for quick, low-cost installation in any exhibition setting and to fulfil interior decorators' artificial lighting requirements.

**Housing:** Made of steel sheet.

**Diffuser:** Tempered glass protective shield.

**Lampholder:** Ceramic with silver-plated contacts, or polycarbonate with phosphorous bronze contacts.

**Electric gear:** 230V/50Hz power supply, with heat protection for discharge lamps. Flexible wire terminated with admiralty brass clamps, silicone insulation with fibre-glass braid; cross section: 1 mm<sup>2</sup> 2P+T terminal block (with plug-socket connector).

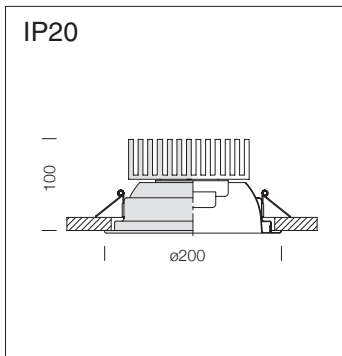
**Equipment:** Supplied with adjustable steel bracket. The glass holding ring opens on hinges for easier maintenance.

**Regulations:** Manufactured in accordance with EN 60598-1-CEI 34.21 standards. Degree of protection in accordance with EN60529 standards.



Frame safety springs for easier maintenance.



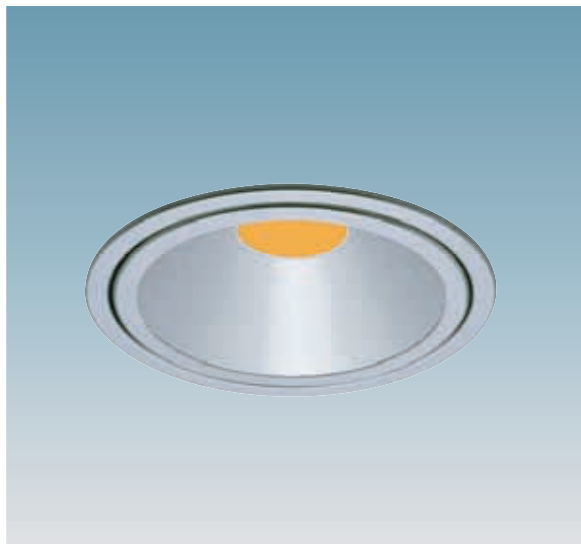


**Reflector:** diffusing oxidized and polished aluminum.

**Diffuser:** frosted glass.

**Fortimo LED:** LED module and driver of 62 lm/W (comparable to 110 lm/W bare LED efficiency).

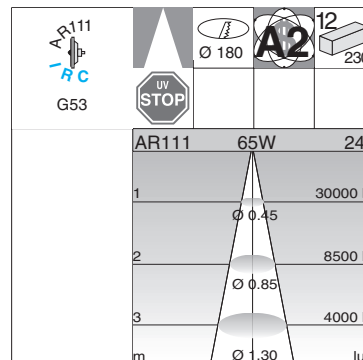
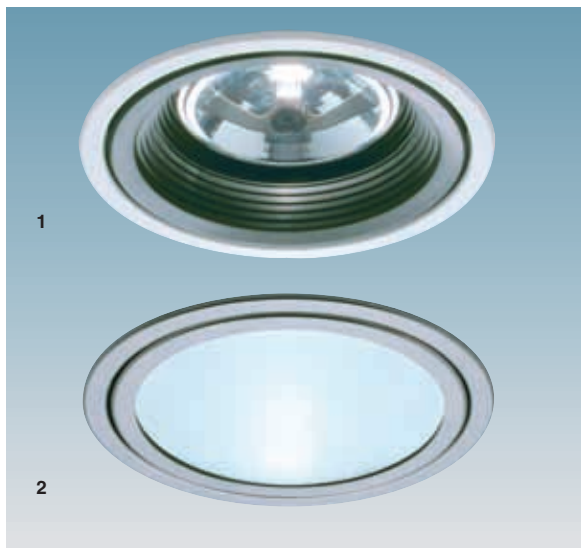
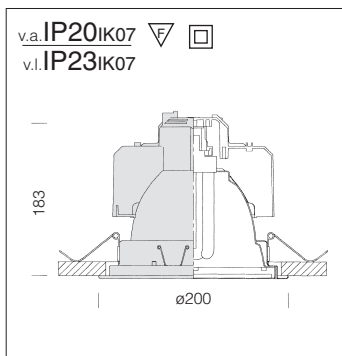
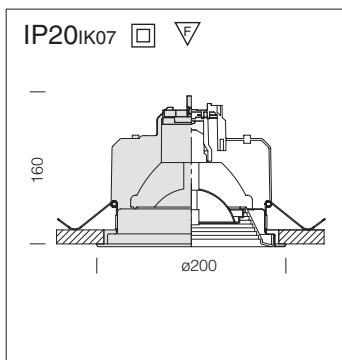
- High light output of 1100 lm (18W) and 2000 lm (45W)
- high quality white LED light (CRI >80 and 3000K and 4000K color temperature)
- Easy heat sink mounting
- Optical luminaire efficiency (up to 95%).



e\$	Ø 180		
26W = q-3			



Milano				
		CLD CELL		Lamps (Ta=25°C)
wattage	colour	weight	code	Kelvin - ølm - Ra
<b>FORTIMO LED</b>	white	0,90	22081415-00	4000K - 1100lm - Ra 80
<b>FORTIMO LED</b>	m. silver	0,90	22081475-00	4000K - 1100lm - Ra 80

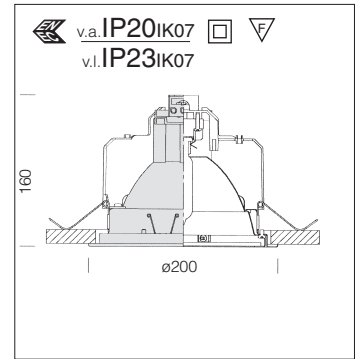
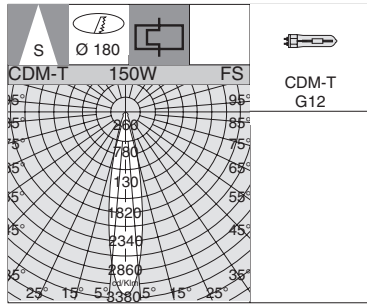


Milano fig. 1				
		CTL		Lamps (Ta=25°C)
wattage	colour	weight	code	Kelvin - ølm - Ra
<b>AR111 65 IRC</b>	white	0,50	22081312-00	3000K - 3000 h - 53000cd

Supplied with power supply.

Milano fig. 2					
		CELL		CELL-E	Lamps (Ta=25°C)
wattage	colour	weight	code	weight	code
<b>FLC-T/E 1x26</b>	white	0,90	22081210-08	2,00	22081210-09
<b>FLC-T/E 1x26</b>	m. silver	0,90	22081272-08	2,00	22081272-09

Version IP44 with additional gasket is available on request.

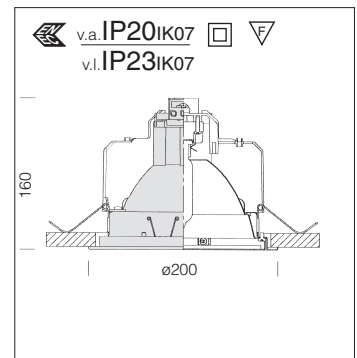
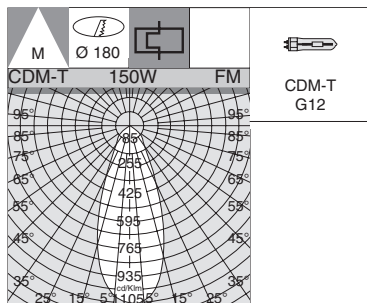


**Reflector:** in oxidized and faceted aluminium  
**Diffuser:** protection clear tempered glass.

**Milano "T" - FS**

		CELL narrow beam		Lamps (Ta=25°C)
wattage	colour	weight	code	Kelvin - ølm - Ra
CDM-T 35	white	1,00	22080517-08	3000K - 3300 lm - Ra 1b
CDM-T 35	m. silver	1,00	22080566-08	3000K - 3300 lm - Ra 1b
CDM-T 70	white	1,10	22080816-08	3000K - 6600 lm - Ra 1b
CDM-T 70	m. silver	1,10	22080878-08	3000K - 6600 lm - Ra 1b
CDM-T 100 Elite	white	1,00	22080414-00	3000K - 11000 - Ra 90
CDM-T 100 Elite	m. silver	1,00	22080474-00	3000K - 11000 - Ra 90
CDM-T 150	white	1,30	22080912-08	3000K - 14000 lm - Ra 1b
CDM-T 150	m. silver	1,30	22080974-08	3000K - 14000 lm - Ra 1b

Supplied with electronic ballast, Soft Start and LOOP-IN system.

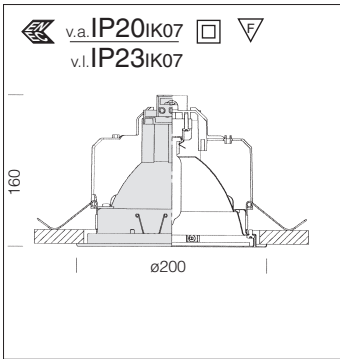


**Reflector:** in oxidized aluminium with semi-spherical facets.  
**Diffuser:** protection clear tempered glass.

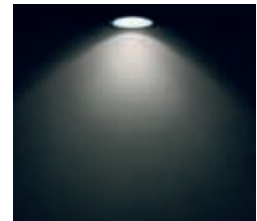
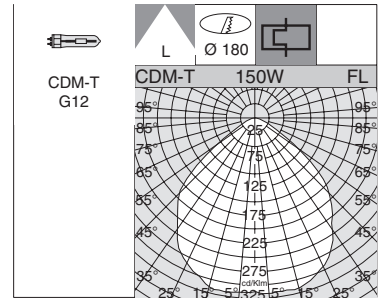
**Milano "T" - FM**

		CELL medium beam		Lamps (Ta=25°C)
wattage	colour	weight	code	Kelvin - ølm - Ra
CDM-T 35	white	1,00	22080410-08	3000K - 3300 lm - Ra 1b
CDM-T 35	m. silver	1,00	22080471-08	3000K - 3300 lm - Ra 1b
CDM-T 70	white	1,10	22080411-08	3000K - 6600 lm - Ra 1b
CDM-T 70	m. silver	1,10	22080472-08	3000K - 6600 lm - Ra 1b
CDM-T 100 Elite	white	1,00	22080415-00	3000K - 11000 - Ra 90
CDM-T 100 Elite	m. silver	1,00	22080475-00	3000K - 11000 - Ra 90
CDM-T 150	white	1,30	22080412-08	3000K - 14000 lm - Ra 1b
CDM-T 150	m. silver	1,30	22080473-08	3000K - 14000 lm - Ra 1b

Supplied with electronic ballast, Soft Start and LOOP-IN system.

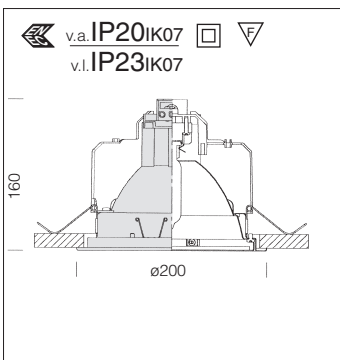


**Reflector:** in oxidized and faceted aluminium  
**Diffuser:** protection clear tempered glass.

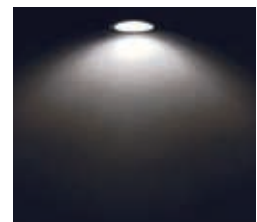
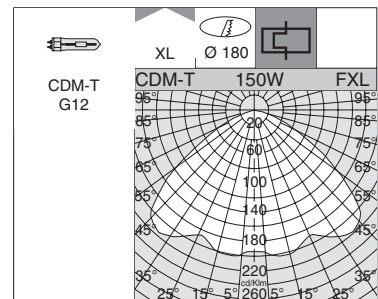


Milano "T" - FL				
		CELL wide beam		Lamps (Ta=25°C)
wattage	colour	weight	code	Kelvin - ølm - Ra
CDM-T 35	white	1,00	22080613-08	3000K - 3300 lm - Ra 1b
CDM-T 35	m. silver	1,00	22080675-08	3000K - 3300 lm - Ra 1b
CDM-T 70	white	1,10	22080612-08	3000K - 6600 lm - Ra 1b
CDM-T 70	m. silver	1,10	22080674-08	3000K - 6600 lm - Ra 1b
CDM-T 100 Elite	white	1,00	22080416-00	3000K - 11000 - Ra 90
CDM-T 100 Elite	m. silver	1,00	22080476-00	3000K - 11000 - Ra 90
CDM-T 150	white	1,30	22080711-08	3000K - 14000 lm - Ra 1b
CDM-T 150	m. silver	1,30	22080773-08	3000K - 14000 lm - Ra 1b

Supplied with electronic ballast, Soft Start and LOOP-IN system.



**Reflector:** in oxidized and faceted aluminium  
**Diffuser:** protection clear tempered glass.



Milano "T" - FXL				
		CELL extra large beam		Lamps (Ta=25°C)
wattage	colour	weight	code	Kelvin - ølm - Ra
CDM-T 35	white	1,00	22080614-08	3000K - 3300 lm - Ra 1b
CDM-T 35	m. silver	1,00	22080672-08	3000K - 3300 lm - Ra 1b
CDM-T 70	white	1,10	22080615-08	3000K - 6600 lm - Ra 1b
CDM-T 70	m. silver	1,10	22080676-08	3000K - 6600 lm - Ra 1b
CDM-T 100 Elite	white	1,00	22080417-00	3000K - 11000 lm - Ra 90
CDM-T 100 Elite	m. silver	1,00	22080477-00	3000K - 11000 lm - Ra 90
CDM-T 150	white	1,30	22080712-08	3000K - 14000 lm - Ra 1b
CDM-T 150	m. silver	1,30	22080774-08	3000K - 14000 lm - Ra 1b

Supplied with electronic ballast, Soft Start and LOOP-IN system.



XL Ø 180

UV STOP

JM-TS Rx7s

CDM-TS Rx7s

CDM-TS 150W



v.a. IP20 IK07

v.l. IP23 IK07

**Reflector:** oxidised and polished aluminium.

Spotlight to be purchased with box with plug-socket connection system for easier installation and maintenance.

Milano "TS" wide beam Excellence				
wattage	colour	S+L		Lamps (Ta=25°C)
		weight	code	Kelvin - ølm - Ra
JM-TS 70 EXC	white	0,80	22081011-00	3000K-6000 lm-Ra 2a
JM-TS 70 EXC	m. silver	0,80	22081073-00	3000K-6000 lm-Ra 2a
JM-TS 150 EXC	white	0,80	22081115-00	3000K-12000 lm-Ra 2a
JM-TS 150 EXC	m. silver	0,80	22081177-00	3000K-12000 lm-Ra 2a

Milano "TS" wide beam with ceramic lamp				
wattage	colour	S+L		Lamps (Ta=25°C)
		weight	code	Kelvin - ølm - Ra
CDM-TS 70	white	0,80	22081011-85	3000K-5100 lm-Ra 1b
CDM-TS 70	m. silver	0,80	22081073-85	3000K-5100 lm-Ra 1b
CDM-TS 150	white	0,80	22081115-85	3000K-11700 lm-Ra 1b
CDM-TS 150	m. silver	0,80	22081177-85	3000K-11700 lm-Ra 1b

To complete with electric gear code 22092011-00=70W and electric gear code 22092021-00=150W.

Milano "TS" wide beam Excellence				
wattage	colour	CELL		Lamps (Ta=25°C)
		weight	code	Kelvin - ølm - Ra
JM-TS 70 EXC	white	1,10	22081011-08	3000K-6000 lm-Ra 2a
JM-TS 70 EXC	m. silver	1,10	22081073-08	3000K-6000 lm-Ra 2a

Milano "TS" wide beam with ceramic lamp				
wattage	colour	CELL		Lamps (Ta=25°C)
		weight	code	Kelvin - ølm - Ra
CMH-TS 35	white	1,10	22081013-00	3000K - 3400lm - Ra 2a
CDM-TS 70	white	1,10	22081011-0885	3000K-5100 lm-Ra 1b
CDM-TS 70	m. silver	1,10	22081073-0885	3000K-5100 lm-Ra 1b

Version with electronic control gear.

10° 25° 40° 60°

UV STOP

Ø 180

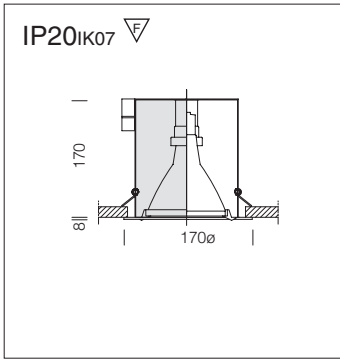


v.a. IP20

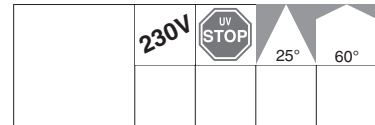
v.l. IP40

**LED:** high efficiency Esealed type, with heat sink, longer working life, Ra 80 index.

Milano ESALED							
wattage/W 700mA	color	CLD CELL		LED (Ta=25°C)	CLD CELL	W tot.	LED (Ta=25°C)
		peso	code	K - ølm (700mA) - degrees	code		K ølm (700mA) degrees
ESALED	silver m.	1,50	22081575-00	4000 K - 1020 lm - 10°	22081570-00	16,8	3000 K - 890 lm - 10°
ESALED	white	1,50	22081516-00		22081511-00		
ESALED	silver m.	1,50	22081576-00	4000 K - 1020 lm - 25°	22081571-00	16,8	3000 K - 890 lm - 25°
ESALED	white	1,50	22081517-00		22081512-00		
ESALED	silver m.	1,50	22081577-00	4000 K - 1020 lm - 40°	22081572-00	16,8	3000 K - 890 lm - 40°
ESALED	white	1,50	22081518-00		22081513-00		
ESALED	silver m.	1,50	22081578-00	4000 K - 1020 lm - 60°	22081573-00	16,8	3000 K - 890 lm - 60°
ESALED	white	1,50	22081519-00		22081514-00		



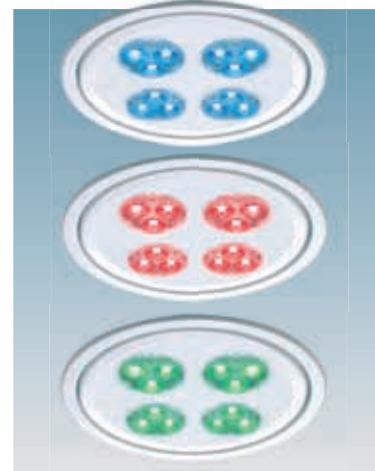
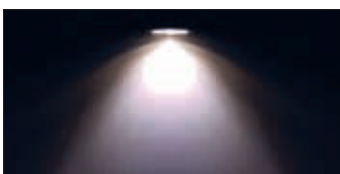
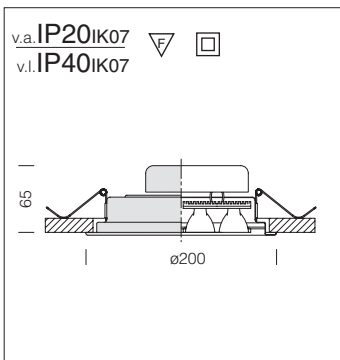
New energy saving light source; ideal for permanently lit transit areas and shop windows.



Milano LED PAR38 - 230v						
		CLD S+L		LED (Ta=25°C)		
wattage/W 230v	colour	weight	code	W tot.	K	degrees
LED PAR38 12w	white	1,00	22081412-00	12	3000K	25°
LED PAR38 12w	white	1,00	22081413-00	12	3000K	60°

Non-dimmable but supplied with ECC power supply

Comparing table			
Lamp Version	LED PAR38	ALO BR40	ALO BR38
wattage	12W	60W	120 W
Work life	50.000 h	3.000 h	3.000 h
Energy Save	75~87%	-	-
CO <sub>2</sub> reduction	580 kg/year	-	-



New light conception utilized for energy saving; ideal for passageways which always need to be illuminated and shop windows.







Milano Power LED 60°							
		CLD CELL		LED (Ta=25°C)			
wattage/W (350mA)	color	weight	code	W tot.	K	ølm 350mA	degrees
4x3,5W LED white	white	0,90	22081411-00	14	6000	321	60°
4x3,5W LED blue	white	0,90	22081411-71	14		70,5	60°
4x3,5W LED red	white	0,90	22081411-72	14		91,8	60°
4x3,5W LED yellow	white	0,90	22081411-73	14		91,8	60°
4x3,5W LED green	white	0,90	22081411-74	14		202	60°

Complete with power supply and 4 module LED triple of 3,5W each, beam angle: 60°.



**Housing:** made from steel.  
**Reflector:** high efficiency, asymmetric, in plated aluminium, oxidized and polished.  
**Lampholder:** in polycarbonate with phosphorous bronze contacts or ceramic with silver-plated contacts.

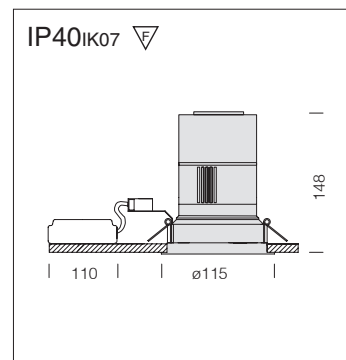


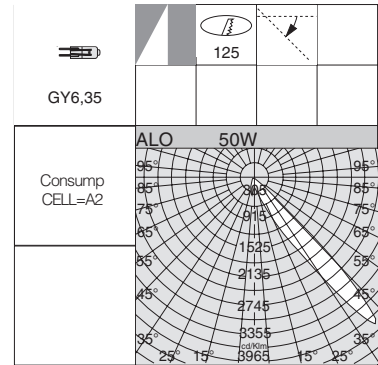
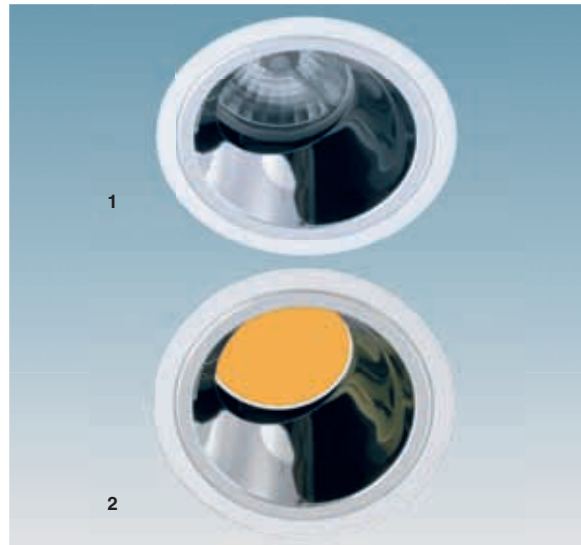
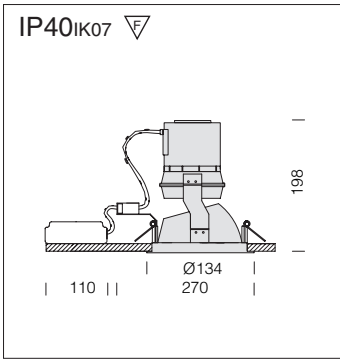
UV STOP	ø105	DICR RC GU 5,3



On request: LED 7W version = Halogen 35W



Rond 1				
		CTL		Lamps (Ta=25°C)
wattage	colour	weight	code	Kelvin - ølm - Ra
DICR-IRC 35	white	1,00	22174013-00	3000K - 5000h . 4400cd



On request: 100lm/W LED version.

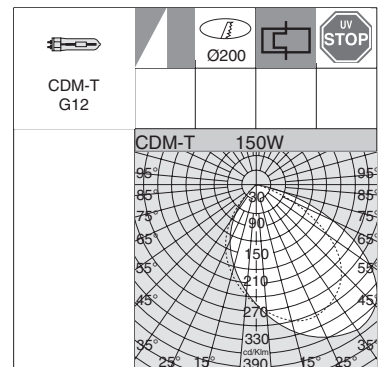
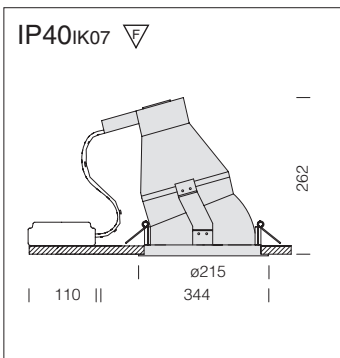
Rond 2 fig. 1				
		CTL		Lamps (Ta=25°C)
wattage	colour	weight	code	Kelvin - ølm - Ra
ALO 50	white	1,00	22174016-08	3000K - 4000h - 1250lm

Adjustable version.

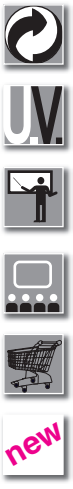
**Fortimo LED:**

- High light output of 1100 lm (18W) and 2000 lm (45W)
- high quality white LED light (CRI >80 and 3000K and 4000K color temperature)
- Easy heat sink mounting
- Optical luminaire efficiency (up to 95%).

Rond 2 fig. 2				
		CLD CELL		LED (Ta=25°C)
wattage	colour	weight	code	Kelvin - ølm - Ra
Fortimo LED	white	1,00	22174012-00	1100lm - Ra 80



Rond 3				
		CELL		Lamps (Ta=25°C)
wattage	colour	weight	code	Kelvin - ølm - Ra
CDM-T 150	white	1,00	22174019-08	3000K - 6600 lm - Ra 1b



FIXED RECESSED DOWNLIGHTS