

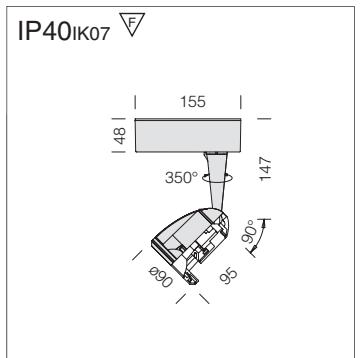
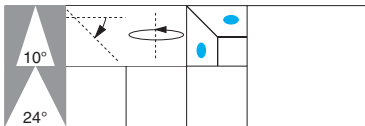
Reflector: Oxidised polished aluminium.
"ES" Energy saver.

Matrix A1				
		CTL		Lamps (Ta=25°C)
wattage	colour	weight	code	Kelvin - h - ølm - Ra
ALO-IRC 35	m. silver	0,90	22200072-00	3000 K - 4000 h - 860 cd - Ra 1b



Matrix A2				
		CTL		Lamps (Ta=25°C)
wattage	colour	weight	code	Kelvin - h - ølm - Ra
DICR-IRC 50	m. silver	0,90	22200176-00	3000K - 5000h - 5700cd - Ra 1b - 38°

DICR-IRC power saving lamps provide a luminous efficiency 30% higher than conventional DICR lamps; therefore: more light, lower consumption.

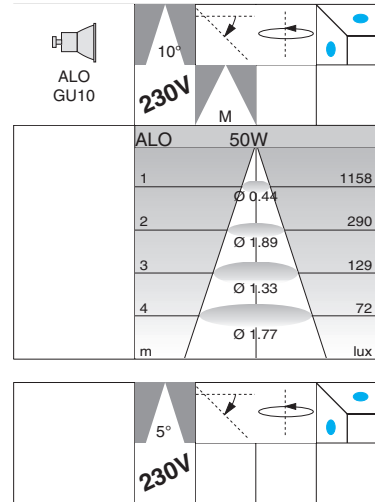
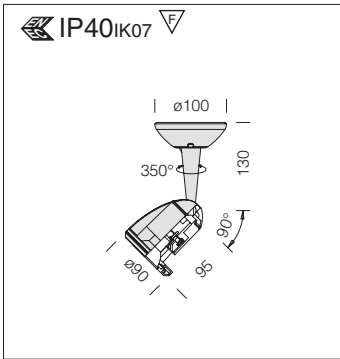


Supplied with a module of 3 LED of 1,2W per each.



Matrix A2 POWER LED fig.1				
		CLD CELL		LED (Ta=25°C)
wattage/W 350mA	colour	weight	code	W tot. K - ølm (350mA) - degrees
LED white 3x1,2W	m. silver	0,90	22200175-00	3,5 3000 K - 242 lm - 10°
LED white 3x1,2W	m. silver	0,90	22200174-00	3,5 4000 K - 282 lm - 10°
LED white 3x1,2W	m. silver	0,90	22200173-00	3,5 6000 K - 321 lm - 10°

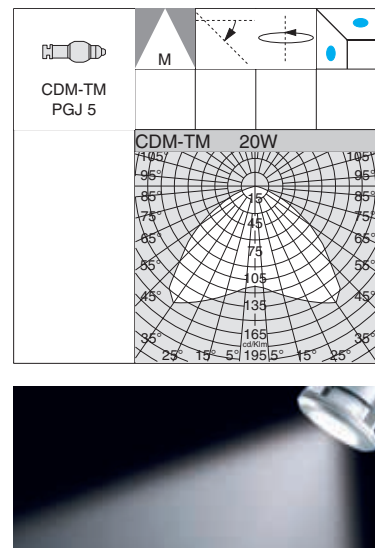
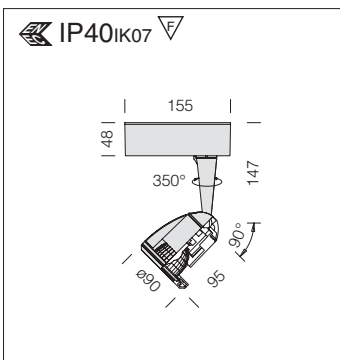
Matrix A2 MASTERLED fig.2				
		CLD CELL		LED (Ta=25°C)
wattage/W 350mA	colour	weight	code	W tot. K - ølm (350mA) - degrees
MASTERLED	m. silver	0,90	22200171-00	4 3000K - 650cd - 24°



Matrix A3 - 230 V				
		CNL		Lamps (Ta=25°C)
wattage	colour	weight	code	Kelvin - h - ølm
ALO 50	m. silver	0,60	22200273-00	2900K - 2000h - 950 lm

Supplied with LED modules of 2,5W, mains voltage operation. Perfect lens to illuminate at distances

Matrix A3 POWER LED - 230 V							
		CLD CELL		LED (Ta=25°C)			
wattage	colour	weight	code	W tot.	K	ølm	degrees
LED white 1x2,5W	m. silver	0,60	22200274-00	2,5	5000	120	10°
LED blue 1x2,5W	m. silver	0,60	22200274-71	2,5			10°
LED red 1x2,5W	m. silver	0,60	22200274-72	2,5			10°
LED yellow 1x2,5W	m. silver	0,60	22200274-73	2,5			10°
LED green 1x2,5W	m. silver	0,60	22200274-74	2,5			10°

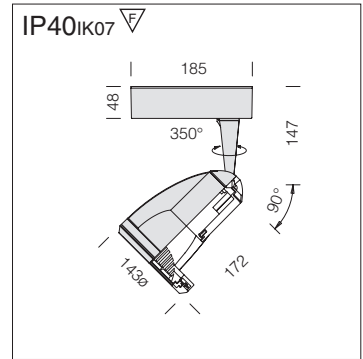
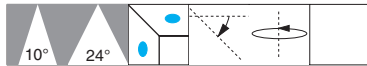


Reflector: Oxidised polished aluminium.

More compact system; gives the same light effect, consuming only one quarter of the energy and with average duration more than three times. It is perfect to realize brilliant light in shops and hotels. Average life: 12.000h.

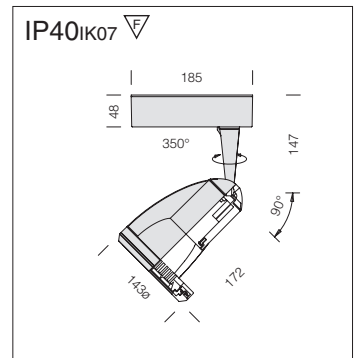
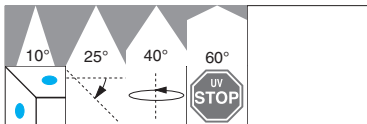
Matrix A4				
		CELL		Lamps (Ta=25°C)
wattage	colour	weight	code	Kelvin - h - ølm - Ra
CDM-TM 20	m. silver	1,00	22200375-00	3000K - 12000h - 1650 lm - Ra 1b
CMH-TM 35	m. silver	1,00	22200376-00	3000K - 10000h - 16000cd - Ra 1b





Supplied with SpotLED111 lamp, composed of 7 LED with total wattage of 12 W and electric and Electrical transformer. The lamp can be oriented in any direction at 360°. The light of LED is without ultraviolet and infrared components.

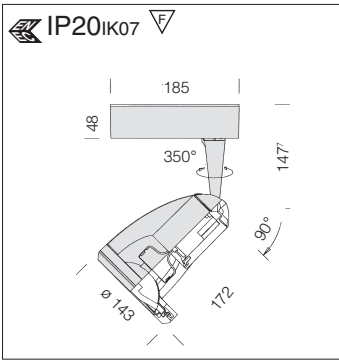
Matrix B6 SPOTLED					
		CLD CELL		LED (Ta=25°C)	
wattage/W (500mA)	colour	weight	code	W tot.	K - ølm (500mA) - degrees
SPOTLED111 12W	m. silver	1,60	22200971-00	12	3000 K - 700 lm - 10°
SPOTLED111 12W	m. silver	1,60	22200975-00	12	3000 K - 700 lm - 24°
SPOTLED111 12W	m. silver	1,60	22200974-00	12	4200 K - 765 lm - 24°
SPOTLED111 12W	m. silver	1,60	22200976-00	12	4200 K - 765 lm - 10°



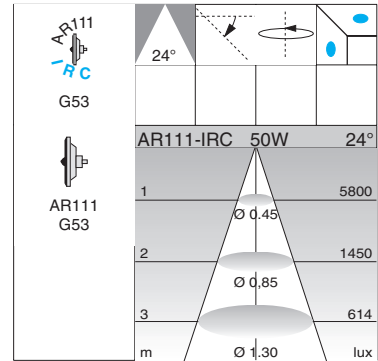
LED: high efficiency EsaLED type, with heat sink, longer working life, Ra 80 index.

Ideal for places where the lights are permanently on.

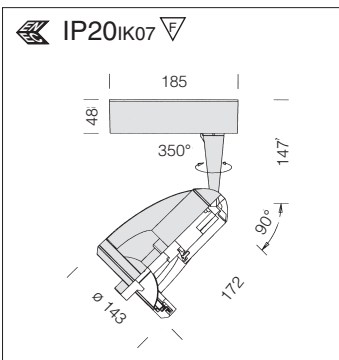
Matrix B6 ESALED					
		CLD CELL		LED (Ta=25°C)	
wattage/W 700mA	colour	weight	code	W tot.	K - ølm (700mA) - degrees
ESALED (1)	m. silver	1,70	22201375-00	16,8	3000 K - 890lm - 10°
ESALED (1)	m. silver	1,70	22201376-00	16,8	3000 K - 890lm - 25°
ESALED (1)	m. silver	1,70	22201377-00	16,8	3000 K - 890lm - 40°
ESALED (f2)	m. silver	1,70	22201378-00	16,8	3000 K - 890lm - 60°
ESALED (1)	m. silver	1,70	22201370-00	16,8	4000 K - 1020lm - 10°
ESALED (1)	m. silver	1,70	22201371-00	16,8	4000 K - 1020lm - 25°
ESALED (1)	m. silver	1,70	22201372-00	16,8	4000 K - 1020lm - 40°
ESALED (2)	m. silver	1,70	22201373-00	16,8	4000 K - 1020lm - 60°



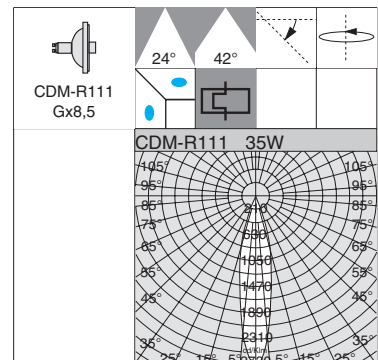
AR111-IRC power saving lamps provide a luminous efficiency 33% higher than conventional AR111 lamps; therefore: more light, lower consumption.



Matrix B1				
		CTL		Lamps (Ta=25°C)
wattage	colour	weight	code	Kelvin - h - ølm - Ra
AR111-IRC 50	white	1,50	22200414-00	3000K - 4000h - 5800cd - 24°
AR111-IRC 50	black	1,50	22200434-00	
AR111-IRC 50	m. silver	1,50	22200474-00	
AR111 75	white	1,50	22200415-00	3000K - 3000h - 5300cd - 24°
AR111 75	black	1,50	22200435-00	
AR111 75	m. silver	1,50	22200475-00	



CDM-R lamps are designed for decorative illumination and exhibitions. The energy consumption and heat production are reduced by at least 66%. Lamps life is up to 4 times more than using a halogen lamp (11000h average life).



Matrix B2				
		CELL		Lamps (Ta=25°C)
wattage	colour	weight	code	Kelvin - h - ølm - Ra
CDM-R111 35	white	1,10	22200512-00	3000 K - 1350lm - Ra 1b - 24°
CDM-R111 35	black	1,10	22200532-00	
CDM-R111 35	m. silver	1,10	22200571-00	
CDM-R111 70	white	1,70	22200513-00	3000 K - 2850lm - Ra 1b - 42°
CDM-R111 70	black	1,70	22200533-00	
CDM-R111 70	m. silver	1,70	22200573-00	



Housing: In die-cast aluminium with central shaft to carry cables.

Reflector: Polished anodised aluminium.

Diffuser: Tempered glass.

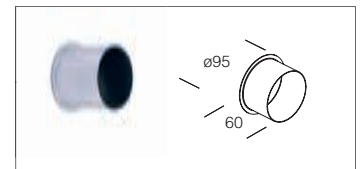
Coating: with a UV-stabilised powder acrylic-resin paint.

Lampholder: Ceramic with silver-plated contacts.

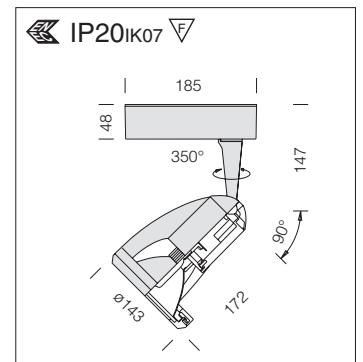
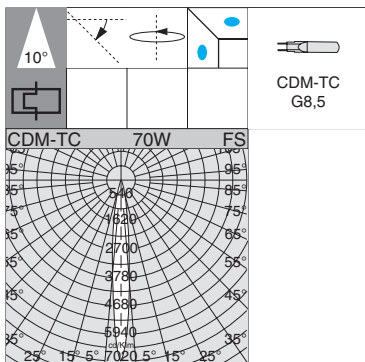
Electronic gear: 230 V/50 Hz power supply with electronic ballast or 12V transformer. Silicone wire with fibreglass braid, cross-section 1.0 sqmm.

Equipment: Supplied with an aiming bar.

Regulations: Manufactured in accordance with EN 60598-1-CEI 34.21 standards. Degree of protection in accordance with EN60529 standards.



Conveyor	
m. silver	22005274-00
To convey the light beam in one direction. For Matrix B3 version.	

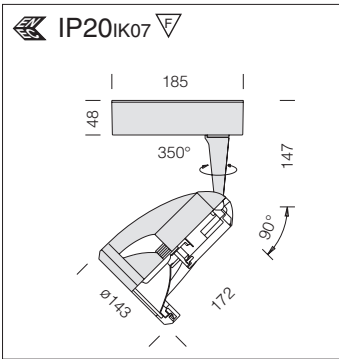


Reflector: Oxidised polished aluminium.

CDM Elite Lamps: suitable for shopping centres, ideal for enhancing the goods displayed.

- Maintenance cost reduction
- 10% increase in energy efficiency in contrast with traditional lamps
- Excellent colour rendering (Ra 90)
- Improved light levels (twice as powerful)

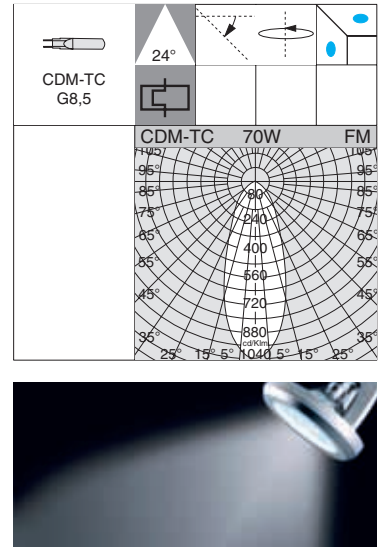
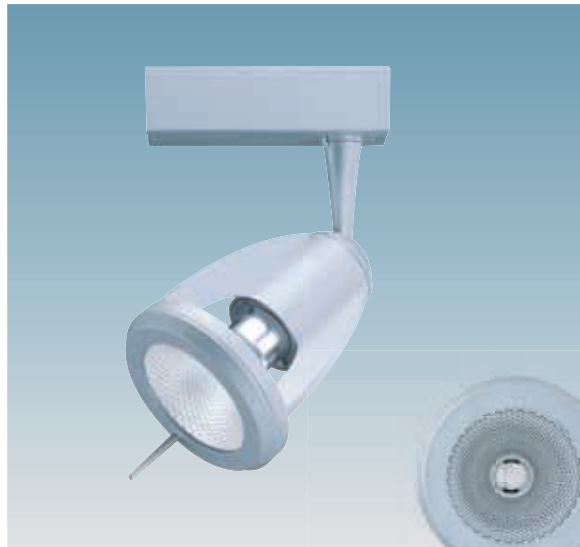
Matrix B3 - narrow beam				
		CELL		Lamps (Ta=25°C)
wattage	colour	weight	code	Kelvin - h - ølm - Ra
CDM-TC Elite 35	white	1,70	22200611-00	3000K - 3500 lm - Ra 90 - 10°
CDM-TC Elite 35	black	1,70	22200631-00	
CDM-TC Elite 35	m. silver	1,70	22200671-00	
CDM-TC Elite 70	white	1,70	22200616-00	3000K - 7300 lm - Ra 90 - 10°
CDM-TC Elite 70	black	1,70	22200636-00	
CDM-TC Elite 70	m. silver	1,70	22200676-00	



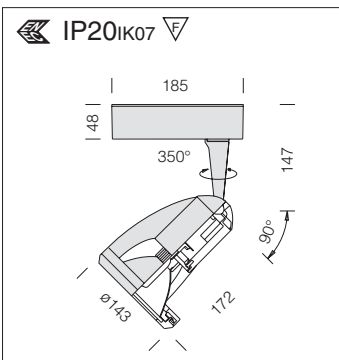
Reflector: Oxidised polished aluminium.

CDM Elite Lamps: suitable for shopping centres, ideal for enhancing the goods displayed.

- Maintenance cost reduction
- 10% increase in energy efficiency in contrast with traditional lamps
- Excellent colour rendering (Ra 90)
- Improved light levels (twice as powerful)



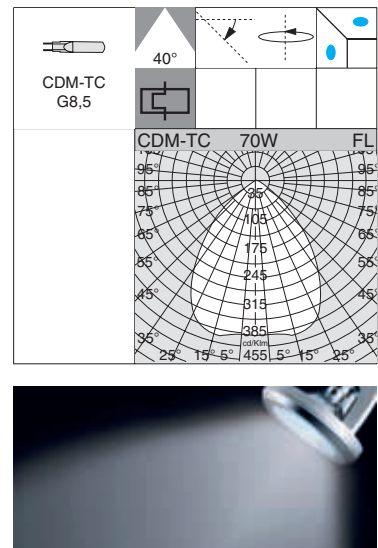
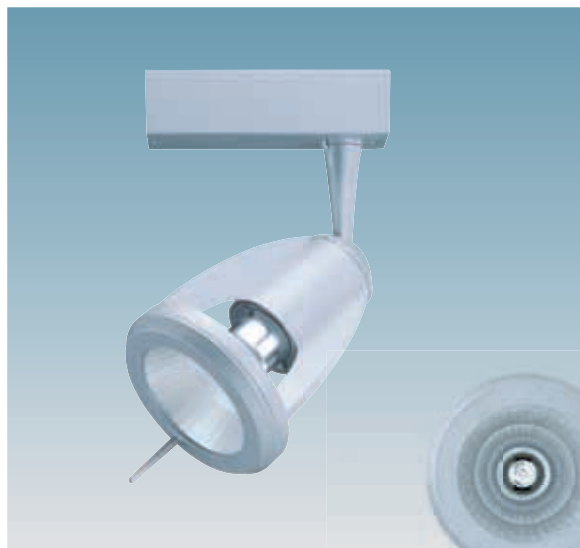
Matrix B3 - medium beam				
		CELL		Lamps (Ta=25°C)
wattage	colour	weight	code	Kelvin - h - ølm - Ra
CDM-TC Elite 35	white	1,70	22200612-00	3000K - 3500 lm - Ra 90 - 24°
CDM-TC Elite 35	black	1,70	22200632-00	
CDM-TC Elite 35	m. silver	1,70	22200672-00	
CDM-TC Elite 70	white	1,70	22200613-00	3000K - 7300 lm - Ra 90 - 24°
CDM-TC Elite 70	black	1,70	22200633-00	
CDM-TC Elite 70	m. silver	1,70	22200673-00	



Reflector: Oxidised polished aluminium.

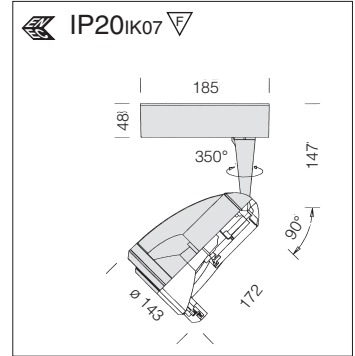
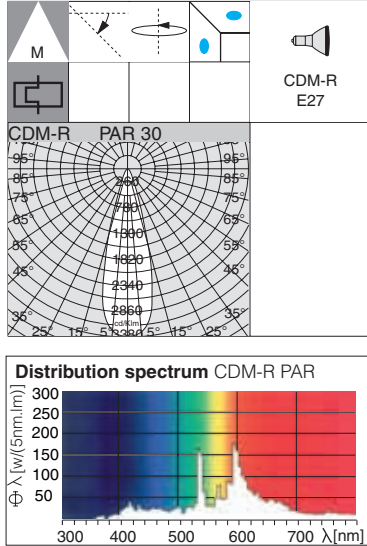
CDM Elite Lamps: suitable for shopping centres, ideal for enhancing the goods displayed.

- Maintenance cost reduction
- 10% increase in energy efficiency in contrast with traditional lamps
- Excellent colour rendering (Ra 90)
- Improved light levels (twice as powerful)



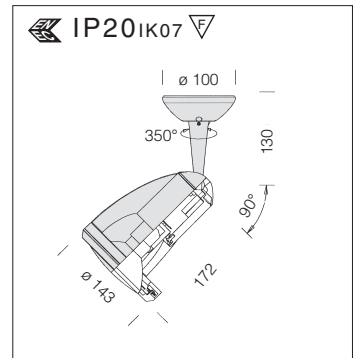
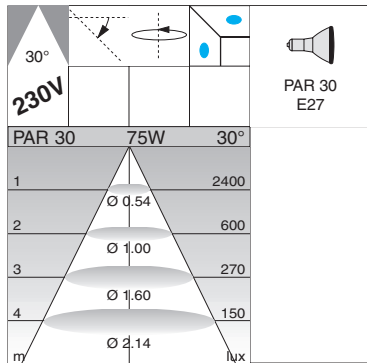
Matrix B3 - wide beam				
		CELL		Lamps (Ta=25°C)
wattage	colour	weight	code	Kelvin - h - ølm - Ra
CDM-TC Elite 35	white	1,70	22200615-00	3000K - 3500 lm - Ra 90 - 40°
CDM-TC Elite 35	black	1,70	22200635-00	
CDM-TC Elite 35	m. silver	1,70	22200675-00	
CDM-TC Elite 70	white	1,70	22200618-00	3000K - 7300 lm - Ra 90 - 40°
CDM-TC Elite 70	black	1,70	22200638-00	
CDM-TC Elite 70	m. silver	1,70	22200678-00	





CDM-R lamps are designed for decorative illumination and expositions. The energy consumption and heat production are reduced by at least 66%. Lamps life is up to 4 times more than using a halogen lamp (11000h average life).

Matrix B4				
		CELL		Lamps (Ta=25°C)
wattage	colour	weight	code	Kelvin - h - ølm - Ra
CDM-R PAR30 35	m. silver	1,80	22200776-00	3000K - 2200 lm - Ra 1b
CDM-R PAR30 70	m. silver	1,80	22200777-00	3000K - 4850 lm - Ra 1b



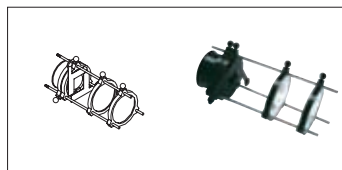
Matrix B5 - 230 V				
		CNL		Lamps (Ta=25°C)
wattage	colour	weight	code	Kelvin - h - ølm - Ra
PAR30 75	white	1,70	22200819-00	3000 K - 2000 h - 2200 cd - Ra 1b - 30°
PAR30 75	black	1,70	22200839-00	
PAR30 75	m. silver	1,70	22200879-00	



Conveyor	
black	22005861-00
To convey the light beam in one direction. For Matrix B1, B2, B3, B4, B5, B6.	



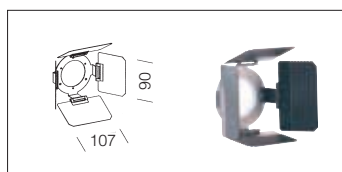
Shaper	
black	22005227-00
For Matrix A1, A2, A3, A4.	



Conveyor	
black	22005232-00
To convey the light beam in one direction. For Matrix A1, A2, A3, A4.	



Anti-glare shutter	
black	22005228-00
In steel. used to shield the light beam. For Matrix A1, A2, A3, A4.	



Coloured glass	
red	22005826-00
green	22005847-00
yellow	22005851-00
blue	22005882-00
Dichroic treatment colour glass. For Matrix A1, A2, A3, A4.	

