

Today, interior light must be applied in an effective way for display lighting projects and exhibitions. For this purpose Matrix was born, an elegant floodlight for numerous applications. A touch of excellence with high quality.

Matrix is a perfect device for a better LED Technique structuring, using colour to create bright sceneries, particular effects and to find out all the possibilities offered by the light today.

Objective: to excite with light. The goal is achievable with the help of Matrix and its accessories, studied in order to reach all the desired effects. The help for the creation permits to achieve great results with the simplicity of efficiency.

Matrix is available in a wide range of models, applicable to a wall or a suspension, but also to a powered track or a base. There is a wide variety for a designer to find better lighting solution.





Housing: In die-cast aluminium with central shaft to carry cables.

Reflector: Polished anodised aluminium.

Diffuser: Tempered glass.

Coating: with a UV-stabilised powder acrylic-resin paint.

Lampholder: Ceramic with silver-plated contacts.

Electronic gear: 230 V/50 Hz power supply with electronic ballast or 12V transformer. Silicone wire with fibreglass braid, cross-section 1.0 sqmm.

Equipment: Supplied with an aiming bar.

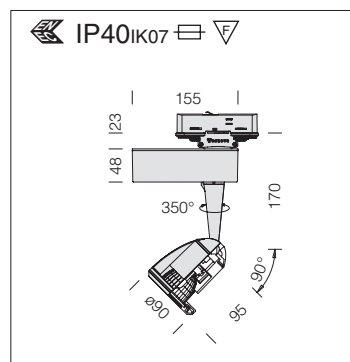
Regulations: Manufactured in accordance with EN 60598-1-CEI 34.21 standards. Degree of protection in accordance with EN60529 standards.



M

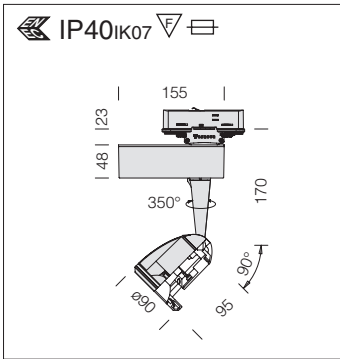
ALO
RC
GY6,35

ALO-IRC 35W

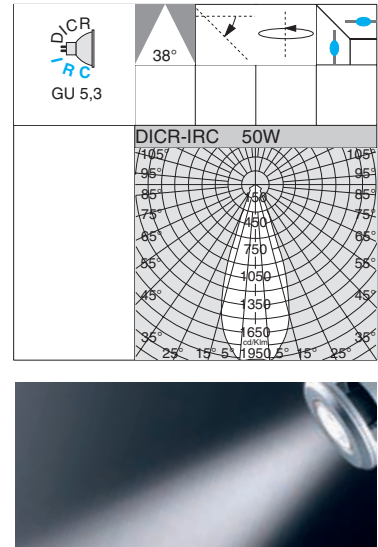


Reflector: LED: high efficiency Epsled type, with heat sink, longer working life, Ra 80 index.
 DICR-IRC power saving lamps provide a luminous efficiency 30%

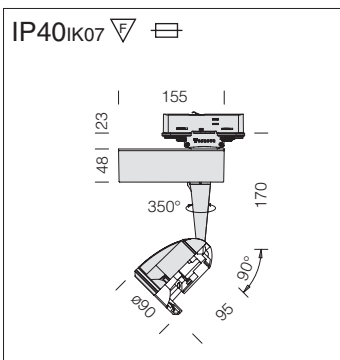
Matrix A1				
		CTL-F		Lamps (Ta=25°C)
wattage	colour	weight	code	Kelvin - h - ølm - Ra
ALO-IRC 35	m. silver	1,00	22100072-00	3000K - 4000h - 860lm - Ra 1b



DICR-IRC power saving lamps provide a luminous efficiency 30% higher than conventional DICR lamps; therefore: more light, lower consumption.
Energy saving: LONG LIFE



Matrix A2					
		CTL-F		Lamps (Ta=25°C)	
wattage	colour	weight	code	Kelvin - h - ølm - Ra	
DICR-IRC 50	m. silver	1,00	22100176-00	3000K - 5000h - 5700cd - 38°	



Supplied with a module of 3 LED of 1,2W per each.

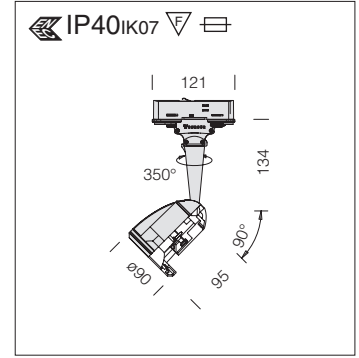
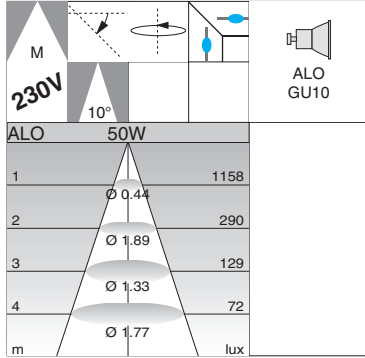


Matrix A2 POWER LED fig. 1					
		CLD CELL-F		LED (Ta=25°C)	
wattage/W 350mA	colour	weight	code	W tot.	K - ølm (350mA) - beam
LED white 3x1,2W	m. silver	1,00	22100175-00	3,5	3000 K - 242 lm - 15°
LED white 3x1,2W	m. silver	1,00	22100174-00	3,5	4000 K - 282 lm - 15°
LED white 3x1,2W	m. silver	1,00	22100173-00	3,5	6000 K - 321 lm - 15°

Matrix A2 MASTERLED fig. 2					
		CLD CELL-F		LED (Ta=25°C)	
wattage/W 350mA	colour	weight	code	W tot.	K - cd - beam
MASTERLED 4W	m. silver	1,00	22100171-00	4	3000K - 650cd - 24°

	W	I max	duration
ALU 20	20	500cd	3000h
MasterLED	4	650cd	45000h

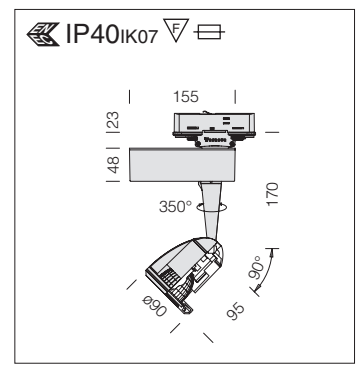
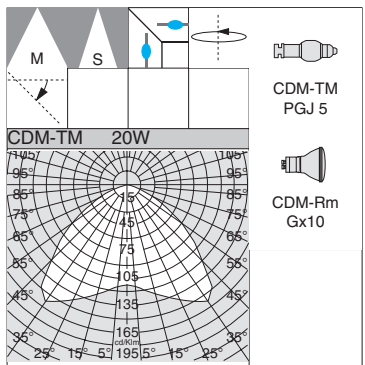




Matrix A3 - 230 v					
		CNL-F		Lamps (Ta=25°C)	
wattage	colour	weight	code	Kelvin - h - ølm - Ra	
ALO 50	m. silver	0,70	22100273-00	2900K - 4000h - 950 lm	

Matrix A3 POWER LED - 230 V							
		CLD CELL-F		LED (Ta=25°C)			
wattage	colour	weight	code	W tot.	K	cd	degrees
LED white 1x2,5W	m. silver	0,70	22100274-00	2,5	5000	120	10°
LED blue 1x2,5W	m. silver	0,70	22100274-71	2,5		120	10°
LED red 1x2,5W	m. silver	0,70	22100274-72	2,5		120	10°
LED yellow 1x2,5W	m. silver	0,70	22100274-73	2,5		120	10°
LED green 1x2,5W	m. silver	0,70	22100274-74	2,5		120	10°

Supplied with LED modules of 2,5W, mains voltage operation. Perfect lens to illuminate at a great distance.

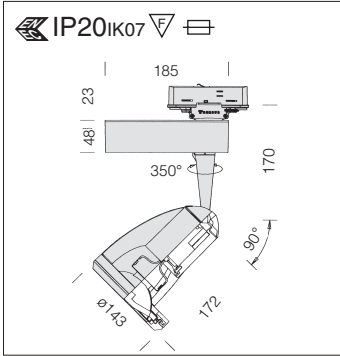


Reflector: Oxidised polished aluminium.

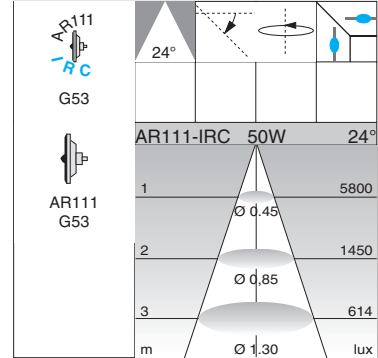
More compact system; gives the same light effect, consuming only one quarter of the energy and with average duration more than three times. It is perfect to realize brilliant light in shops and hotels. Average life: 12.000h.

Matrix A4					
		CELL-F		Lamps (Ta=25°C)	
wattage/W	colour	weight	code	Kelvin - h - ølm - Ra	
CDM-TM 20	m. silver	1,10	22100375-00	3000K - 12000h - 1650 lm - Ra 1b	
CDM-R Mini 35	m. silver	1,50	22100376-00	3000K - 10000h - 16000cd - Ra 1b	

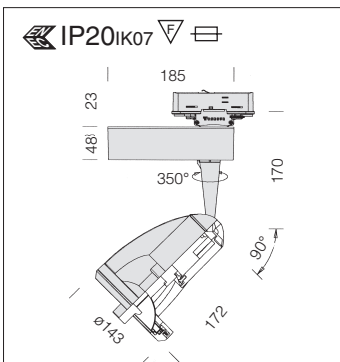
35° standard version (narrow beam). On request: wide beam.



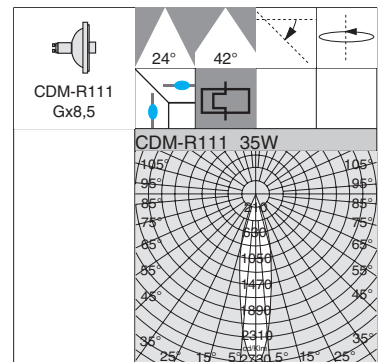
AR111-IRC power saving lamps provide a luminous efficiency 33% higher than conventional AR111 lamps; therefore: more light, lower consumption.



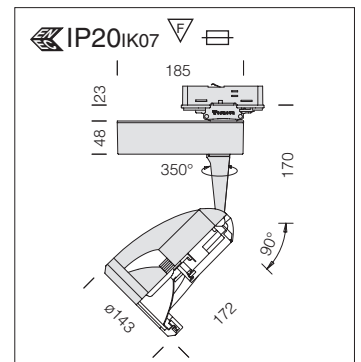
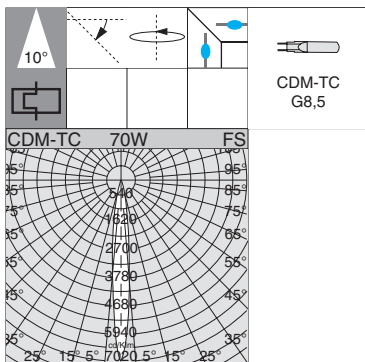
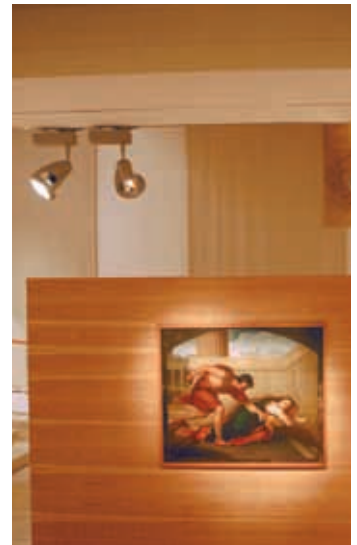
Matrix B1				
		CTL-F		Lamps (Ta=25°C)
wattage	colour	weight	code	Kelvin - h - ølm - Ra
AR111-IRC 50	white	1,60	22100414-00	3000K - 4000h - 5800cd - 24°
AR111-IRC 50	black	1,60	22100434-00	
AR111-IRC 50	m. silver	1,60	22100474-00	
AR111 75	white	1,60	22100415-00	3000K - 3000h - 5300cd - 24°
AR111 75	black	1,60	22100435-00	
AR111 75	m. silver	1,60	22100475-00	



CDM-R lamps are designed for decorative illumination and exhibitions. The energy consumption and heat production are reduced by at least 66%. Lamps life is up to 4 times more than using a halogen lamp (11000h average life).



Matrix B2				
		CELL-F		Lamps (Ta=25°C)
wattage	colour	weight	code	Kelvin - h - ølm - Ra
CDM-R111 35	white	1,20	22100512-00	3000K - 1350lm - Ra 1b - 24°
CDM-R111 35	black	1,20	22100532-00	
CDM-R111 35	m. silver	1,20	22100571-00	
CDM-R111 70	white	1,80	22100513-00	3000K - 2850lm - Ra 1b - 42°
CDM-R111 70	black	1,80	22100533-00	
CDM-R111 70	m. silver	1,80	22100573-00	



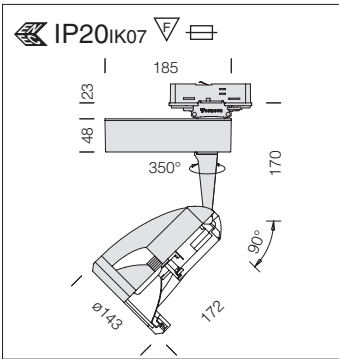
Reflector: Oxidised polished aluminium.

Diffuser: Complete with anti-glare frosted glass.

CDM Elite Lamps: suitable for shopping centres, ideal for enhancing the goods displayed.

- Maintenance cost reduction
- 10% increase in energy efficiency in contrast with traditional lamps
- Excellent colour rendering (Ra 90)
- Improved light levels (twice as powerful)

Matrix B3 - narrow beam				
		CELL-F		Lamps (Ta=25°C)
wattage	colour	weight	code	Kelvin - h - ølm - Ra
CDM-TC Elite 35	white	1,80	22100611-00	3000K - 3500 lm - Ra 90 - 10°
CDM-TC Elite 35	black	1,80	22100631-00	
CDM-TC Elite 35	m. silver	1,80	22100671-00	
CDM-TC Elite 70	white	1,80	22100616-00	3000K - 7300 lm - Ra 90 - 10°
CDM-TC Elite 70	black	1,80	22100636-00	
CDM-TC Elite 70	m. silver	1,80	22100676-00	

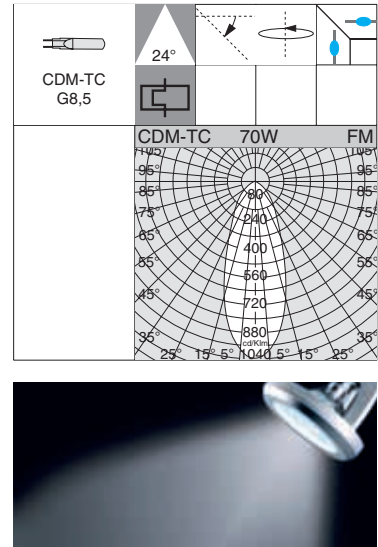
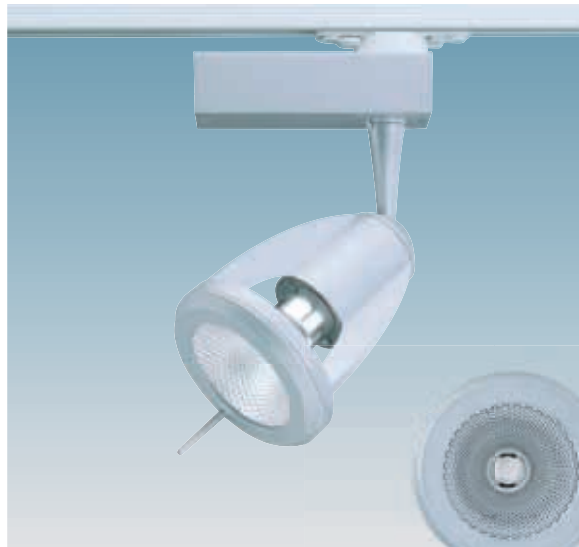


Reflector: Oxidised polished aluminium.

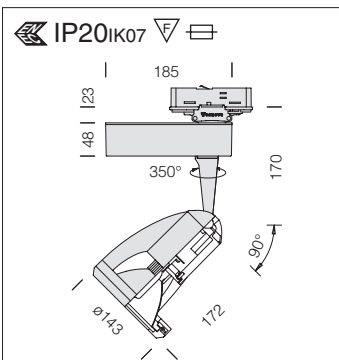
Diffuser: Complete with anti-glare frosted glass.

CDM Elite Lamps: suitable for shopping centres, ideal for enhancing the goods displayed.

- Maintenance cost reduction
- 10% increase in energy efficiency in contrast with traditional lamps
- Excellent colour rendering (Ra 90)
- Improved light levels (twice as powerful)



Matrix B3 - medium beam				
		CELL-F		Lamps (Ta=25°C)
wattage	colour	weight	code	Kelvin - h - ølm - Ra
CDM-TC Elite 35	white	1,80	22100612-00	3000K - 3500 lm - Ra 90 - 24°
CDM-TC Elite 35	black	1,80	22100632-00	
CDM-TC Elite 35	m. silver	1,80	22100672-00	
CDM-TC Elite 70	white	1,80	22100613-00	3000K - 7300 lm - Ra 90 - 24°
CDM-TC Elite 70	black	1,80	22100633-00	
CDM-TC Elite 70	m. silver	1,80	22100673-00	

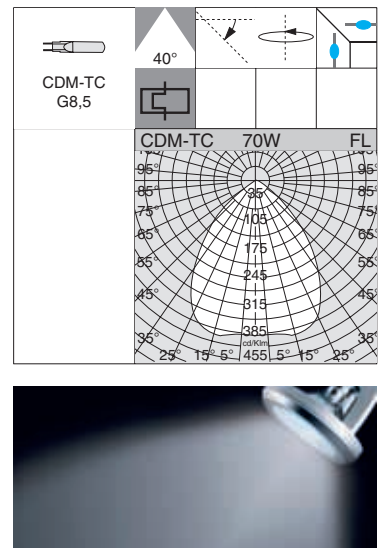


Reflector: Oxidised polished aluminium.

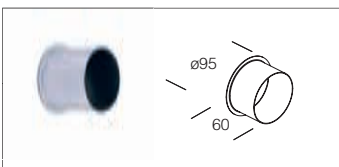
Diffuser: Complete with anti-glare frosted glass.

CDM Elite Lamps: suitable for shopping centres, ideal for enhancing the goods displayed.

- Maintenance cost reduction
- 10% increase in energy efficiency in contrast with traditional lamps
- Excellent colour rendering (Ra 90)
- Improved light levels (twice as powerful)

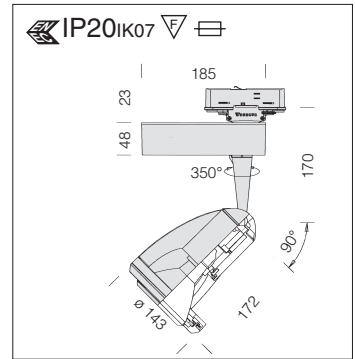
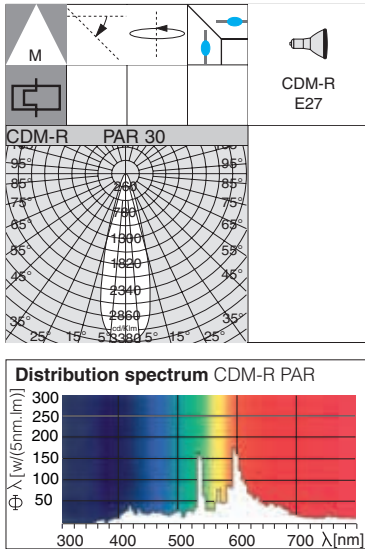


Matrix B3 - wide beam				
		CELL-F		Lamps (Ta=25°C)
wattage	colour	weight	code	Kelvin - h - ølm - Ra
CDM-TC Elite 35	white	1,80	22100615-00	3000K - 3500 lm - Ra 90 - 40°
CDM-TC Elite 35	black	1,80	22100635-00	
CDM-TC Elite 35	m. silver	1,80	22100675-00	
CDM-TC Elite 70	white	1,80	22100618-00	3000K - 7300 lm - Ra 90 - 40°
CDM-TC Elite 70	black	1,80	22100638-00	
CDM-TC Elite 70	m. silver	1,80	22100678-00	



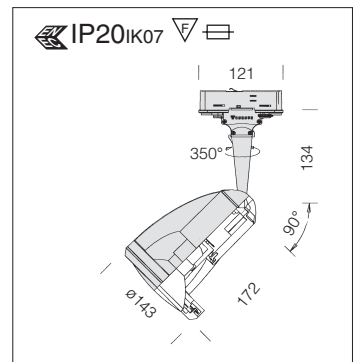
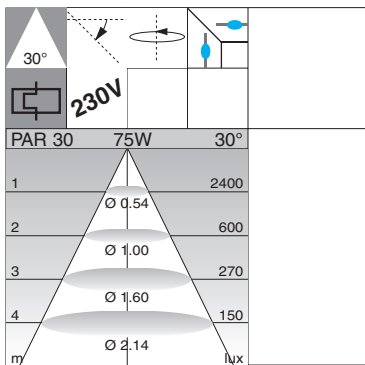
Conveyor	
m. silver	22005274-00
To convey the light beam in one direction. For Matrix B3 version.	



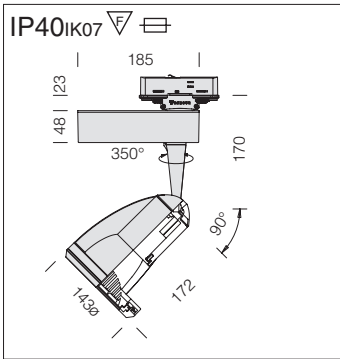


CDM-R lamps are designed for decorative illumination and expositions. The energy consumption and heat production are reduced by at least 66%. Lamps life is up to 4 times more than using a halogen lamp (11000h average life).

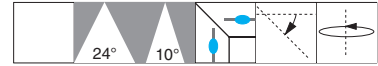
Matrix B4				
		CELL-F		Lamps (Ta=25°C)
wattage	colour	weight	code	Kelvin - h - ølm - Ra
CDM-R PAR30 35	m. silver	1,90	22100776-00	3000K - 2200 lm - Ra 1b
CDM-R PAR30 70	m. silver	1,90	22100777-00	3000K - 4850 lm - Ra 1b



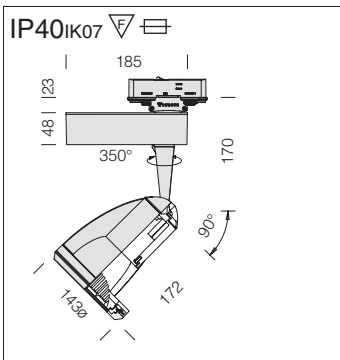
Matrix B5 - 230 v				
		CNL-F		Lamps (Ta=25°C)
wattage	colour	weight	code	Kelvin - h - ølm - Ra
PAR30 75	white	1,80	22100819-00	3000K - 2000h - 2200cd - Ra 1b - 30°
PAR30 75	black	1,80	22100839-00	
PAR30 75	m. silver	1,80	22100879-00	



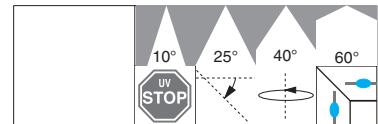
Equipped with SpotLED111 lamp, 7 LED lights, 12W, and electronic transformer. The lamp can be pointed in any direction of 360°. The LED lights do not come with ultraviolet and infrared components.



Matrix B6 SPOTLED					
		CLD CELL-F			LED (Ta=25°C)
wattage/W (500mA)	colour	weight	code	W tot.	K - ølm 500mA - degrees
SPOTLED111 12W	m. silver	1,70	22100971-00	12	3000 K - 700 lm - 10°
SPOTLED111 12W	m. silver	1,70	22100975-00	12	3000 K - 700 lm - 24°
SPOTLED111 12W	m. silver	1,70	22100976-00	12	4200 K - 765 lm - 10°
SPOTLED111 12W	m. silver	1,70	22100974-00	12	4200 K - 765 lm - 24°



LED: high efficiency EsaLED type, with heat sink, longer working life, Ra 80 index.



Matrix B6 ESALED					
		CLD CELL-F			LED (Ta=25°C)
wattage/W (700mA)	colour	weight	code	W tot.	K - ølm (700mA) - degrees
ESALED (1)	m. silver	1,70	22101375-00	16,8	3000 K - 890 lm - 10°
ESALED (1)	m. silver	1,70	22101376-00	16,8	3000 K - 890 lm - 25°
ESALED (1)	m. silver	1,70	22101377-00	16,8	3000 K - 890 lm - 40°
ESALED (2)	m. silver	1,70	22101378-00	16,8	3000 K - 890 lm - 60°
ESALED (1)	m. silver	1,70	22101370-00	16,8	4000 K - 1020 lm - 10°
ESALED (1)	m. silver	1,70	22101371-00	16,8	4000 K - 1020 lm - 25°
ESALED (1)	m. silver	1,70	22101372-00	16,8	4000 K - 1020 lm - 40°
ESALED (2)	m. silver	1,70	22101373-00	16,8	4000 K - 1020 lm - 60°