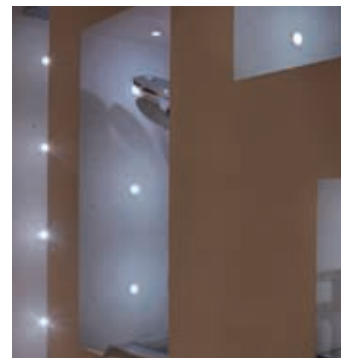
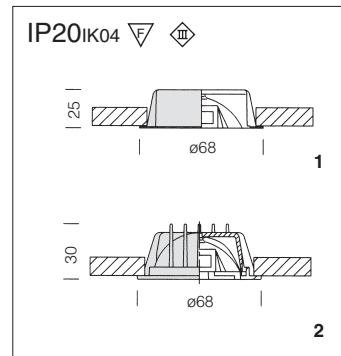


Marte equipped with signal LED and die-cast ring; tempered lenticular glass. (acc. 22094032-00).

CURRENT	TENSION	VERSION
22090816-00	240V/12V 60W	Marte 1
22092022-00	240V/ 24V 70W	Marte 2/3

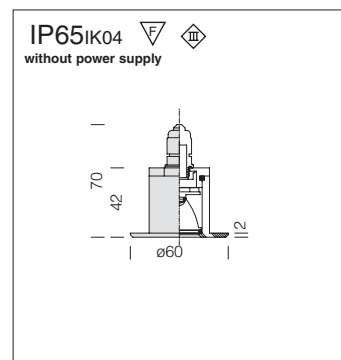


Marte 1			
		S	
wattage	colour	weight	code
ALO 20	white	0,10	22061911-00
ALO 20	black	0,10	22061905-00
ALO 20	chrome	0,10	22061963-00
ALO 20	pol. brass	0,10	22061996-00

Housing in prepainted sheet steel.

Marte with WHITE LED and glass 24V			
		CLD S+L	
wattage	colour	weight	code
LED white 1,2W	white	0,10	22061815-00
LED white 1,2W	black	0,10	22061805-00

Marte 3 with LED white and glass 24V (Fig. 3)			
		CLD S+L	
wattage/W	colour	weight	code
LED di segnale	bianco	0,10	22061816-00
LED di segnale	nero	0,10	22061806-00



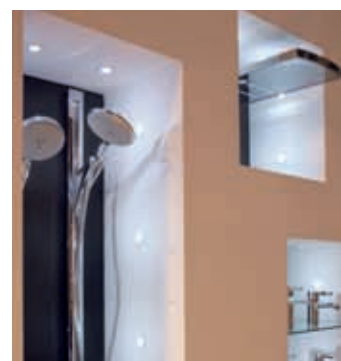
Possibility of choice of beam lens angle (10° - 40°).
On request: the version with LED in warm-white colour 3200K.

M60 LED white					
		CLD S+L		LED (Ta=25°C)	
wattage (350mA)	colour	weight	code	W tot.	K - ølm 350mA - degrees
LED white 1x1,2W	white	0,20	22061511-00	1,2	6300K - 80 - 24°
LED white 1x1,2W	m. silver	0,20	22061570-00	1,2	6300K - 80 - 24°
LED white 1x1,2W	chrome	0,20	22061562-00	1,2	6300K - 80 - 24°

Electronic power supply is to be bought separately dc 350mA cod 22090832-00 to supply up to max 3 spotlights; or utilize power supply cod 22090837-00 to supply max 12 spotlights.

M60 LED white					
		CLD S+L		LED (Ta=25°C)	
wattage (700mA)	colour	weight	code	W tot.	K - ølm 700mA - degrees
LED white 1x3W	white	0,20	22061512-00	3	6300 - 100 - 24°
LED white 1x3W	m. silver	0,20	22061571-00	3	6300 - 100 - 24°
LED white 1x3W	chrome	0,20	22061563-00	3	6300 - 100 - 24°

Electronic power supply is to be bought separately dc 700mA cod 22090835-00, to be inserted in IP65 box to supply up to max 3 spotlights.



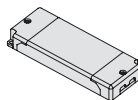
POWER LED CONNECTIONS

CODE 22090832-00
- 350mA - 4W

Power supply LED 1x1,2W
 (to be inserted in IP65 box)

CODE 22090837-00

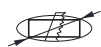
Ballast **- 350mA - 17W**
 Power supply LED 1x1,2W
 (to be inserted in IP65 box)



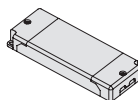
IP20

CODE 22090835-00
- 700mA - 9W

Power supply LED 1x3W
 (to be inserted in IP65 box)



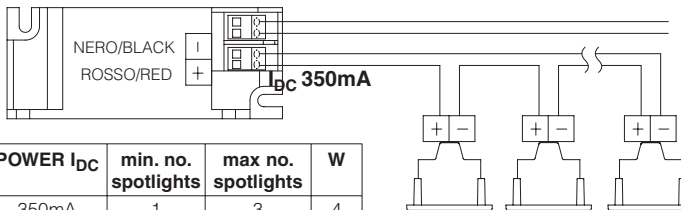
38mm
 Ballast



IP20

Acquire separately a power supply dc 350mA cod 22090832-00 to be inserted in IP65 box to supply up to max 3 spotlights; or utilize power supply cod 22090837-00 to supply max 12 spotlights.

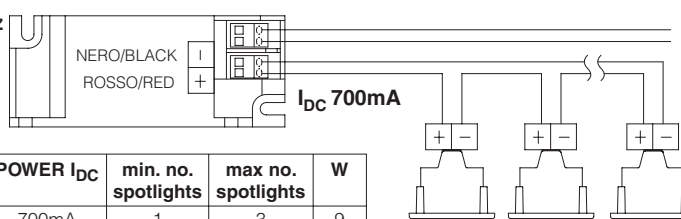
V_{in} : 220-240V 50/60Hz



CODE	VOLTAGE	POWER I _{DC}	min. no. spotlights	max no. spotlights	W
22090832-00	220-240V 50/60Hz	350mA	1	3	4
22090837-00	220-240V 50/60Hz	350mA	1	12	15

Acquire separately a power supply dc 700mA cod 22090835-00 to be inserted in IP65 box to supply up to max 3 spotlights.

V_{in} : 220-240V 50/60Hz



CODE	VOLTAGE	POWER I _{DC}	min. no. spotlights	max no. spotlights	W
22090835-00	220-240V 50/60Hz	700mA	1	3	9

IP65 CONNECTIONS

CODE 22090832-00
- 350mA - 4W

Power supply LED 1x1,2W
 (to be inserted in IP65 box)

CODE 22090837-00
- 350mA - 17W

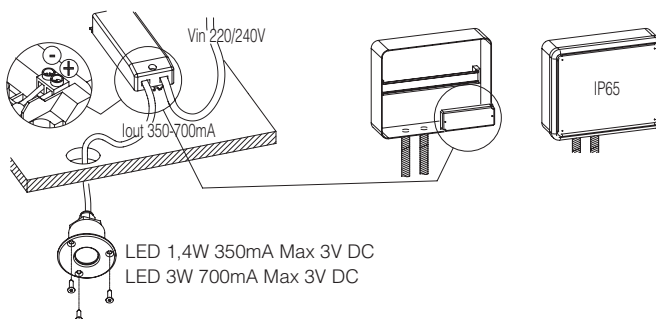
Power supply LED 1x1,2W
 (to be inserted in IP65 box)

CODE 22090835-00
- 700mA - 10W

Power supply LED 1x3W
 (to be inserted in IP65 box)

IP65 CONNECTION

To realize M60 connection with LED monochromatic 1,2W-350mA/3W-700mA it's necessary to insert LED power supply (CODE 22090832/90837/90835-00). In a IP65 box as indicated in the figure.



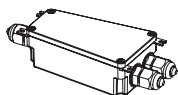
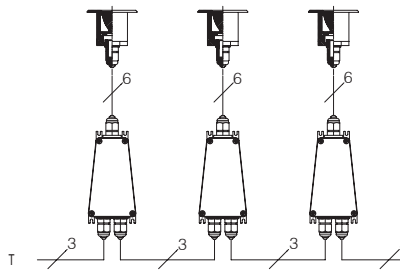
POWER LED CONNECTIONS

CODE 22092031
 Gear box IP65
 LED 1x1,2W - 350mA

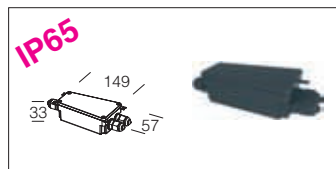
Using acc. 22092031-00 it's possible to perform an electric connection IP65 in parallel to M60 1x1,2W - 350mA with monochromatic LED, inserting POWER LED supply inside the derivating box.

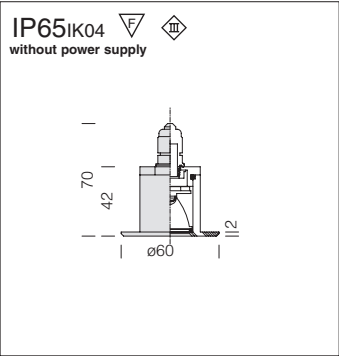
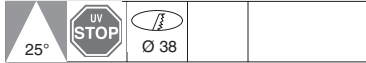
CODE 22092033
 Gear box IP65
 LED 1x3W - 700mA

Using acc. 22092033-00 it's possible to perform an electric connection IP65 in parallel to M60 1x3W - 700mA with monochromatic LED, inserting POWER LED supply inside the derivating box.



Gear box IP65 x M60	
LED 1W-350m	22092031-00
LED 3W-700mA	22092033-00
Complete with series with 3 cable gland IP65 for wire with section Max. 7mm and LED power supply. Allows electrical monochromatic M60.	





IP65IK04 without power supply

Housing: turned aluminium.
Electric gear: Separate 350/700mA dc ballast; RGB version can be used with a MASTER and SLAVE control module

Equipment: Standard version supplied complete with self-tapping screws for installation on wooden, plasterboard or sheet metal panels; 1m outer wire fitted.

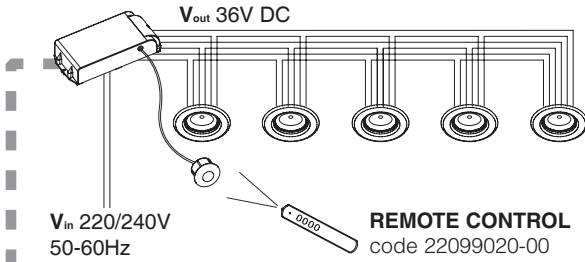
M60 LED FULLCOLOR RGB					
wattage	colour	S+L		Lamps (Ta=25°C)	
		weight	code	Kelvin - olm - Ra	degrees
LED RGB 3,2W	white	0,20	22061516-00	R 28 lm - G 48 lm - B 12 lm	25°
LED RGB 3,2W	m. silver	0,20	22061575-00		
LED RGB 3,2W	chrome	0,20	22061566-00		

Use power supply code 22090870-00, to power up to 9 RGB spotlights.
 To supply other 9 spotlights RGB in sync with MASTER, acquire SLAVE cod 22090871-00.
 In case of installation in a control board, the following are supplied separately:
 - KIT1, code 22090872-00, powers up to 5 spotlights in synchronised mode;
 - KIT2, code 22090873-00, powers up to 10 spotlights in synchronised mode.
 For 22098070/71 and KIT1-2 Remote control code 22099020-00 is supplied separately. Otherwise acquire PLUS MASTER/SLAVE System CODE 22090875-00; for PLUS System Remote control code 22099020-00 is supplied separately. Possibility of DMX System CODE 22090876-00.

FULLCOLOR CONNECTIONS RGB

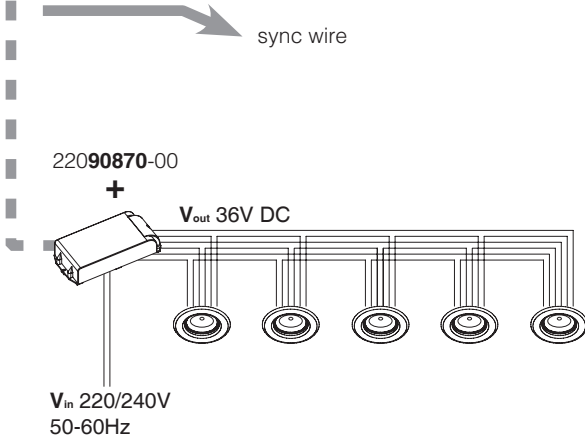
BASE SYSTEM
CODE 22090870-00
 Master + IRE Receiver
 (to be inserted in IP65 box)

Three-channel professional colour control module for LED RGB. Dimmable option supplied separately with IRE remote control (code 22099020-00).
 To power up to 9 RGB M60 spotlights.



CODE 22090871-00
 Slave
 (to be inserted in IP65 box)

A SLAVE be purchased to use 9 more spotlights in sync with the MASTER, up to 9 spotlights (code 22090871-00). Can be operated using 1 MASTER and 99 SLAVES.



N.B: Observe the connec. in series (max 9 spotlights)

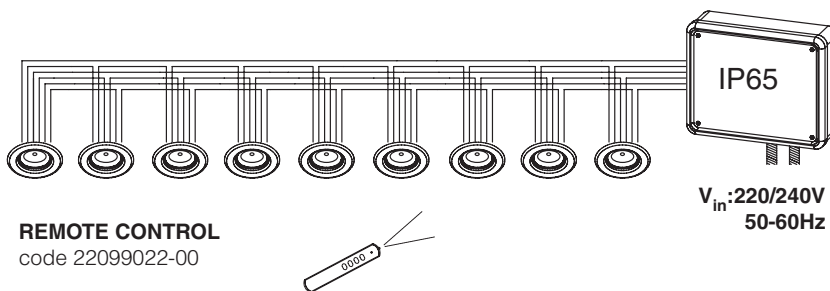
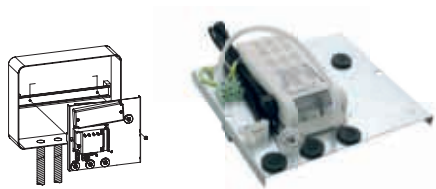
1mm² up to 150 m -
 1,5 mm² up to 240 m

FOR THE FOLLOWING INFORMATION AND RGB CONNECTIONS SEE PAGE 350-351

FULLCOLOR RGB CONNECTIONS

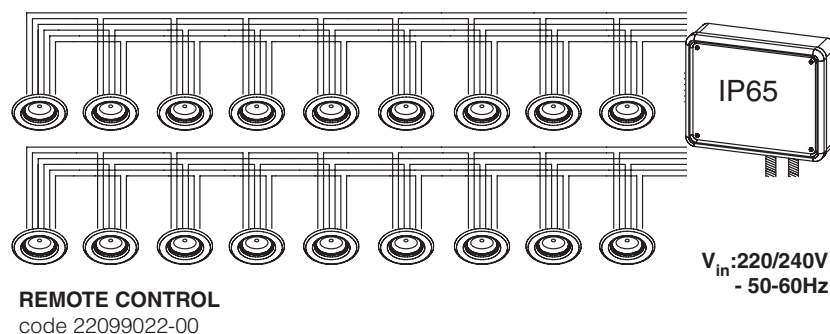
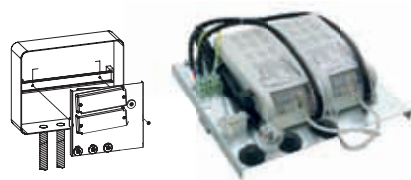
KIT1 CODE 22090872-00
1 Master, IRE Receiver and a terminal block for the network connection

1 pre-wired plate to fit into an IP65 box that includes 1 Master, 1 IRE receiver and one terminal block for network connection to power in sync 9 spotlights IRE remote control (code 22099020-00) sold separately.



KIT2 CODE 22090873-00
1 Master, 1 Slave, 1 IRE receiver and one terminal block

1 pre-wired plate to fit into an IP65 box that includes 1 Master, 1 Slave, 1 IRE receiver and one terminal block for network connection to power in sync 18 spotlights. IRE remote control (code 22099020-00) sold separately.



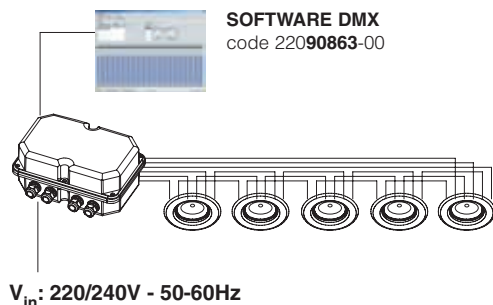
SYSTEM DMX CONNECTIONS

DMX IP65 SYSTEM
KIT3 CODE 22092053-00
IP65 box

Max 5 spotlights RGB. Supplied with DMX Interface

KIT 3 - Waterproof gear box with LED RGB power supply and DMX interface		
wattage	colour	code
20	black	22092053-00

IP65 box with 24V 20W power supply for RGB Power LED - max 5 M60 RGB. Supplied with DMX Interface and 3 cable glands, 9/12 mm external diameter, 2 cable glands, 5/8 mm external diameter.



DMX IP65 SYSTEM
KIT3 bis CODE 22092051-00
IP65 box

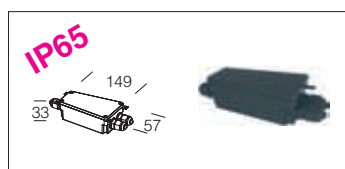
Max 12 spotlights RGB. Supplied with DMX Interface

KIT 3 bis - Waterproof gear box with LED RGB power supply and DMX interface		
wattage	colour	code
60	black	22092051-00

IP65 box with 48V 60W power supply for RGB Power LED - max 12 LEDs. Supplied with electronic card and controller / DMX interface, four cable glands, 9/12 mm diameter. After acc. 22092051-00 n. 20, use acc. code 22092052-00.

Amplifier / DMX signal modulator		
wattage	colour	code
20	black	22092052-00

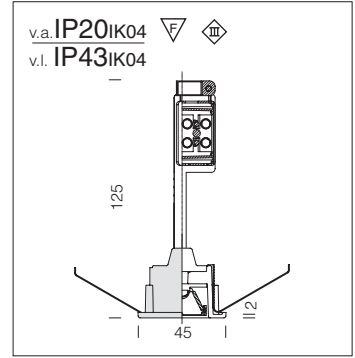
DMX signal regenerator in waterproof gear box with 24V, 20W power supply. Supplied with in-out wire connection (one going in, four going out) to DMX terminal. To be used after acc. 22092051-00 n. 20, and after KIT3 n. 10.



Gear box IP65 for M60	
LED 3,2W RGB	code
	22092034-00

Complete with series with terminal block of 6 poles for connections IP65 for wire with section Max. 7mm Allows electrical connection in series of M60 RGB.

FOR THE FOLLOWING INFORMATION AND RGB CONNECTIONS SEE PAGE 350-351



Housing: in die-cast zamak.
Available upon request, warm white LED version, 3200K.
Option to choose the beam aperture (10° - 40°)

M45 LED white							
		CLD S+L			LED (Ta=25°C)		
wattage/W (350mA)	colour	weight	code	W tot.	K	ølm 350mA	Degrees
LED white 1x1,2W	white	0,10	22062613-00	1,2	6300K - 80 lm - 24°		
LED white 1x1,2W	m. silver	0,10	22062672-00	1,2			
LED white 1x1,2W	chrome	0,10	22062664-00	1,2			

Electronic power supply is to be bought separately dc 350mA cod 22090832-00 to supply up to max 3 spotlights; or utilize power supply cod 22090837-00 to supply max 12 spotlights.

M45 LED white							
		CLD S+L			LED (Ta=25°C)		
wattage/W (700mA)	colour	weight	code	W tot.	K	ølm 700mA	Degrees
LED white 1x3W	white	0,10	22062612-00	3	6300K - 100 - 24°		
LED white 1x3W	m. silver	0,10	22062673-00	3			
LED white 1x3W	chrome	0,10	22062665-00	3			

Possibility of choice of beam lens angle (10° - 40°). Electronic power supply is to be bought separately dc 700mA cod 22090835-00, to supply max 3 spotlights.

Ballast dc 350mA cod 22090832-00 to be purchased separately to power up to 3 spotlights.
Ballast code 22090837-00 to be purchased separately to power up to 12 spotlights.

Available upon request, warm white LED light, 3200K.
Ballast dc 700mA code 22090835-00 to be purchased separately to power up to 3 spotlights.

POWER LED CONNECTIONS 350mA

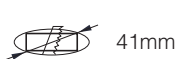
CODE 22090832-00
- 350mA - 4W

Power supply LED 1x1,2W
(to be inserted in IP65 box)



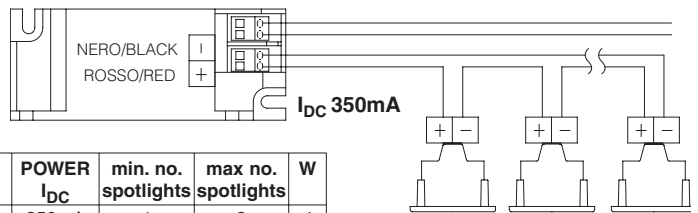
CODE 22090837-00
- 350mA - 17W

Power supply LED 1x1,2W
(to be inserted in IP65 box)



Acquire separately a power supply dc 350mA cod 22090832-00 to be inserted in IP65 box to supply up to max 3 spotlights; or utilize power supply cod 22090837-00 to supply max 12 spotlights.

V_{in}: 220-240V 50/60Hz



CODE	VOLTAGE	POWER I _{DC}	min. no. spotlights	max no. spotlights	W
22090832-00	220-240V 50/60Hz	350mA	1	3	4
22090837-12	DIMMABLE 1-10V	350mA	1	12	15
22090837-00	220-240V 50/60Hz	350mA	1	12	15

POWER LED CONNECTIONS 700mA

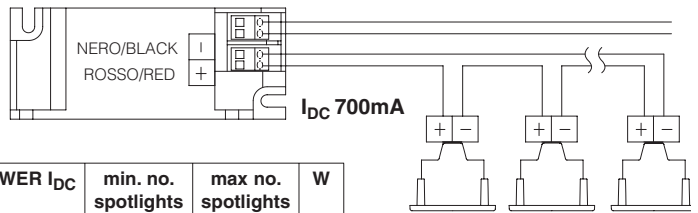
CODE 22090835-00
- 700mA - 9W

Power supply LED 1x3W
(to be inserted in IP65 box)

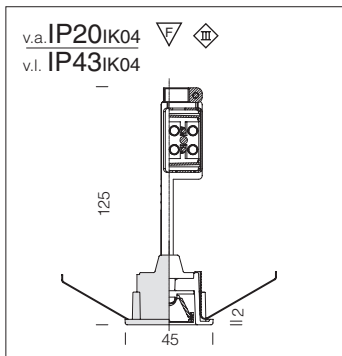


Acquire separately a power supply dc 700mA cod 22090835-00 to be inserted in IP65 box to supply up to max 3 spotlights.

V_{in}: 220-240V 50/60Hz



CODE	VOLTAGE	POWER I _{DC}	min. no. spotlights	max no. spotlights	W
22090835-00	220-240V 50/60Hz	700mA	1	3	9
22090834-00	DIMMABLE 1-10V	700mA	1	6	18



Use power supply code 22090870-00, to power up to 9 RGB spotlights. To supply other 9 spotlights RGB in sync with MASTER, acquire SLAVE code 22090871-00.

In case of installation in a control board, the following are supplied separately:

- KIT1, code 22090872-00, powers up to 5 spotlights in synchronised mode;
- KIT2, code 22090873-00, powers up to 10 spotlights in synchronised mode.

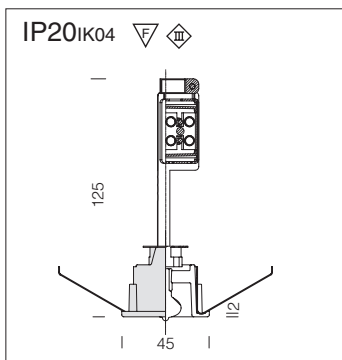
For 22098070/71-00 and KIT1-2 Remote control code 22099020-00 is supplied separately.

Possibility of DMX System code 22090876-00.

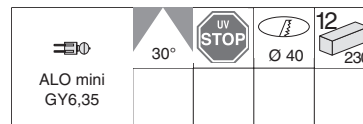
See M60 page 258 for connections.



M45 LED FULLCOLOR RGB					
		CLD S+L		LED (Ta=25°C)	
wattage	colour	weight	code	Kelvin - ølm - Ra	Degrees
LED RGB 3,2W	white	0,20	22062616-00	R 30 - G 40 - B 9	40°
LED RGB 3,2W	m. silver	0,20	22062675-00		
LED RGB 3,2W	chrome	0,20	22062667-00		

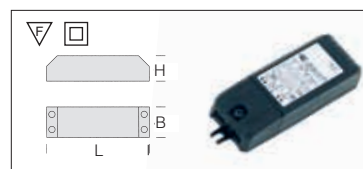


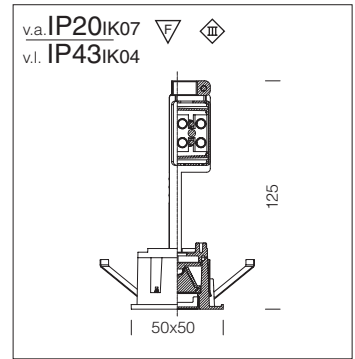
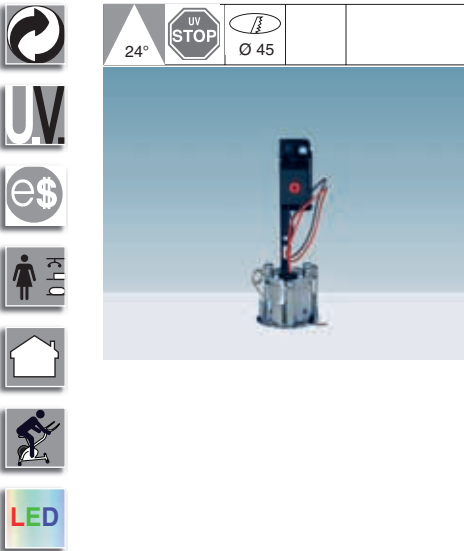
Beam angle: 20°. Utilize electronic ballast 12V cod 22090816-00 to power up to max 3 spotlights.



M45 - halogen Ministar 12V					
		S+L		Lamps (Ta=25°C)	
wattage	colour	weight	code	Kelvin - ølm - Ra	
ALO 20	white	0,10	22062511-00	3000K - 800cd	
ALO 20	m. silver	0,10	22062570-00		
ALO 20	chrome	0,10	22062562-00		

Power supply	
220-240/12V 60	22090816-00
Electronic dimmable power supply.	





Housing: in die-cast zamak.
Available upon request, warm white LED version, 3200K.
Option to choose the beam aperture (10° - 40°)

Q45 LED white						
CLD S+L			LED (Ta=45°C)			
wattage - 350mA	colour	weight	code	W tot.	K	ølm 350mA Degrees
LED white 1x1,2W	white	0,20	22064510-00	1,2	6300 - 80 - 24°	
LED white 1x1,2W	m. silver	0,20	22064571-00	1,2		
LED white 1x1,2W	chrome	0,20	22064562-00	1,2		

Possibility of choice of beam lens angle (10° - 40°). On request: the version with LED in warm-white colour 3200K. Electronic power supply is to be bought separately dc 350mA cod 22090832-00 to supply up to max 3 spotlights; or utilize power supply cod 22090837-00 to supply max 12 spotlights.

Ballast dc 350mA cod 22090832-00 to be purchased separately to power up to 3 spotlights.
Ballast code 22090837-00 to be purchased separately to power up to 12 spotlights.

Q45 LED white						
CLD S+L			LED (Ta=45°C)			
wattage - 700mA	colour	weight	code	W tot.	K	ølm 700mA Degrees
LED white 1x3W	white	0,20	22064511-00	3	6300 - 100 - 24°	
LED white 1x3W	m. silver	0,20	22064572-00	3		
LED white 1x3W	chrome	0,20	22064563-00	3		

Possibility of choice of beam lens angle (10° - 40°). On request: the version with LED in warm-white colour 3200K. Electronic power supply is to be bought separately dc 700mA cod 22090835-00, to supply max 3 spotlights.

Available upon request, warm white LED light, 3200K.
Ballast dc 700mA code 22090835-00 to be purchased separately to power up to 3 spotlights.

POWER LED CONNECTIONS 350mA

CODE 22090832-00
- 350mA - 4W

Power supply LED 1x1,2W
(to be inserted in IP65 box)



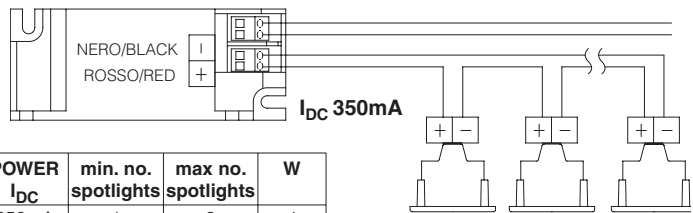
CODE 22090837-00
- 350mA - 17W

Power supply LED 1x1,2W
(to be inserted in IP65 box)



Acquire separately a power supply dc 350mA cod 22090832-00 to be inserted in IP65 box to supply up to max 3 spotlights; or utilize power supply cod 22090837-00 to supply max 12 spotlights.

V_{in}: 220-240V 50/60Hz



CODE	VOLTAGE	POWER I _{DC}	min. no. spotlights	max no. spotlights	W
22090832-00	220-240V 50/60Hz	350mA	1	3	4
22090837-12	DIMMABLE 1-10V	350mA	1	12	15
22090837-00	220-240V 50/60Hz	350mA	1	12	15

POWER LED CONNECTIONS 700mA

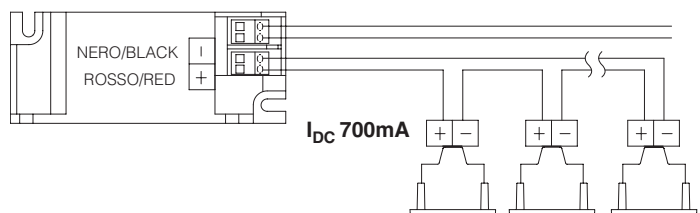
CODE 22090835-00
- 700mA - 9W

Power supply LED 1x3W
(to be inserted in IP65 box)

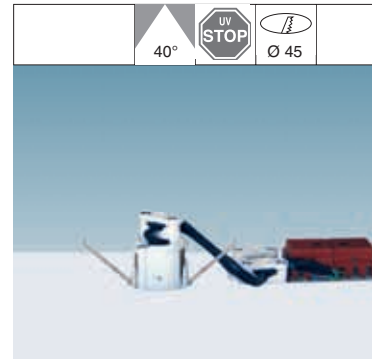
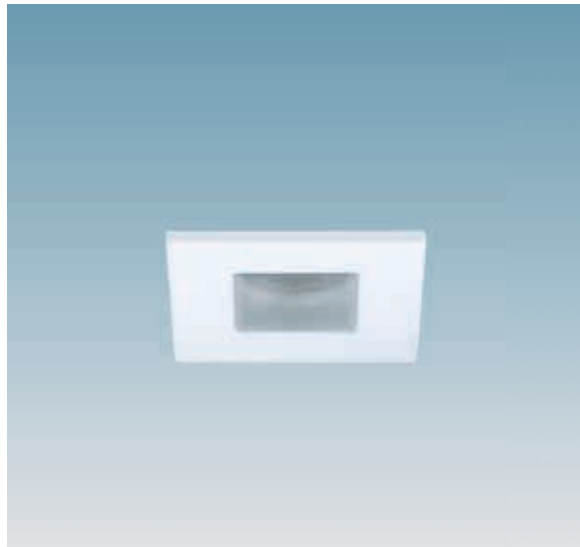
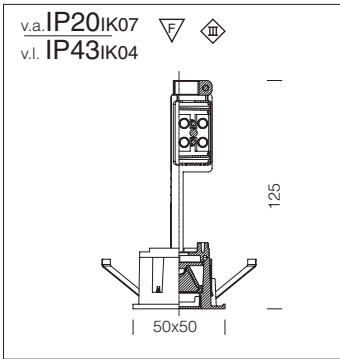


Acquire separately a power supply dc 700mA cod 22090835-00 to be inserted in IP65 box to supply up to max 3 spotlights.

V_{in}: 220-240V 50/60Hz



CODE	VOLTAGE	POWER I _{DC}	min. no. spotlights	max no. spotlights	W
22090835-00	220-240V 50/60Hz	700mA	1	3	9
22090834-00	DIMMABLE 1-10V	700mA	1	6	18



Q45 LED FULLCOLOR RGB					
		CLD S+L		Lamps (Ta=25°C)	
wattage	colour	weight	code	Kelvin - ølm - Ra	Degrees
LED RGB 3,2W	white	0,20	22064512-00	R 30 - G 40 - B 9	40°
LED RGB 3,2W	m. silver	0,20	22064573-00		
LED RGB 3,2W	chrome	0,20	22064564-00		

Use power supply code 22090870-00, to power up to 9 RGB spotlights.
 To supply other 9 spotlights RGB in sync with MASTER, acquire SLAVE cod 22090871-00.
 In case of installation in a control board, the following are supplied separately:
 - KIT1, code 22090872-00, powers up to 5 spotlights in synchronised mode;
 - KIT2, code 22090873-00, powers up to 10 spotlights in synchronised mode.
 For 22098070/71 and KIT1-2 Remote control code 22099020-00 is supplied separately. Otherwise acquire PLUS MASTER/SLAVE System CODE 22090875-00, for PLUS System Remote control code 22099020-00 is supplied separately. Possibility of DMX System CODE 22090876-00.

FULLCOLOR RGB CONNECTIONS

BASE SYSTEM

CODE 22090870-00

Master + IRE Receiver

Three-channel professional colour control module for LED RGB. Dimmable option supplied separately with IRE remote control (code 22099020-00).

To power up to 9 RGB Q45 spotlights.

CODE 22090871-00

Slave

A SLAVE be purchased to use 9 more spotlights in sync with the MASTER, up to 9 spotlights (code 22090871-00). Can be operated using 1 MASTER and 99 SLAVES.

