


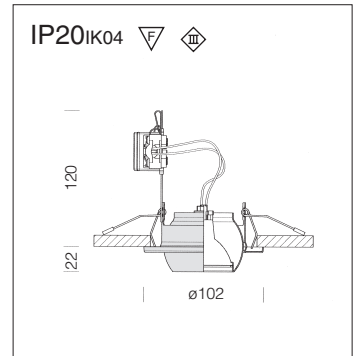


| | | | | |
|----------|--------|-----|------|---|
| M | Ø 92 | 45° | 340° |  CR RC GU 5,3 |
| UV STOP | 12 | 230 | | |
| DICR-IRC | | 35W | 24° | |
| 1 | | | 4400 |  CDM-Rm Gx10 |
| 2 | Ø 0,45 | | 1100 | |
| 3 | Ø 0,85 | | 490 | |
| m | Ø 1,30 | | lux | |


 DICR-IRC power saving lamps provide a luminous efficiency 30% higher than conventional DICR lamps; therefore: more light, lower consumption.




Housing: Sheet steel supplied with springs for recessed mounting.

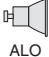
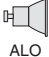
Coating: Fluid-coated with a humidity resistant, UV-stabilised acrylic-resin paint. A different galvanic finishing process is used for chromium-plated and polished brass versions.

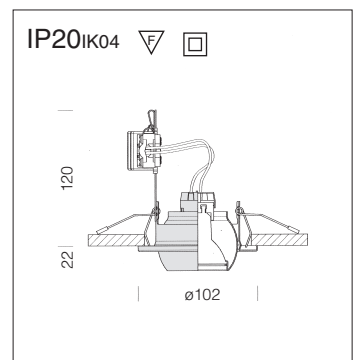
Equipment: With springs for false ceilings min. 1mm and max. 15mm; for 1mm thick false ceilings a Ø 85mm hole is needed.

CDM-R Mini saves up to 60% more energy than halogen lamps. It offers higher energy yield and excellent colour stability.

| Luna 1 - 12V with lamp | | | | | | |
|------------------------|--------|--------|-------------|--------|-------------|-------------------------------|
| | | S+L | | CELL | | Lamps (Ta=25°C) |
| wattage | colour | weight | code | weight | code | Kelvin - ølm - Ra |
| DICR-IRC 35 | white | 0,30 | 22063114-00 | | | 3000K - 5000h - 4400cd - 24° |
| DICR-IRC 35 | silver | 0,30 | 22063170-00 | | | |
| DICR-IRC 35 | chrome | 0,30 | 22063162-00 | | | |
| DICR-IRC 35 | gold | 0,30 | 22063198-00 | | | |
| CDM-R Mini 20 | white | | | 0,30 | 22063115-00 | 3000K - 3300cd Ra 1b - 25° |
| CDM-R Mini 20 | silver | | | 0,30 | 22063173-00 | |

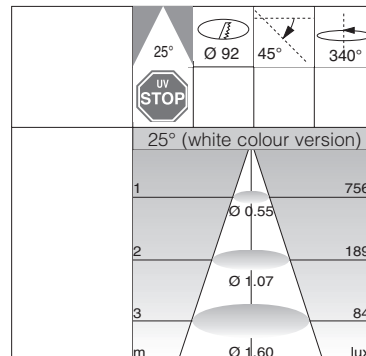
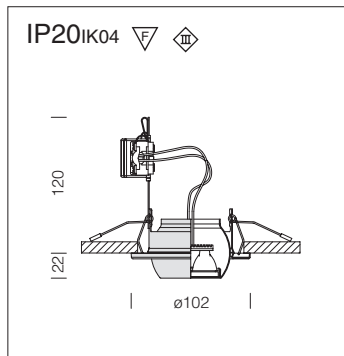


| | | | | |
|---------|--------|-----|------|--|
| 25° | Ø 92 | 45° | 340° |  ALO GU10 |
| UV STOP | 230V | | | |
| ALO | | 50W | 25° | |
| 1 | | | 1158 |  |
| 2 | Ø 0,44 | | 290 | |
| 3 | Ø 1,89 | | 129 | |
| 4 | Ø 1,33 | | 72 | |
| m | Ø 1,77 | | lux | |



| Luna 2 - 230V with lamp | | | | | | |
|-------------------------|--------|--------|-------------|-----------------|------|------------------------------|
| | | S+L | | Lamps (Ta=25°C) | | |
| wattage | colour | weight | code | weight | code | Kelvin - ølm - Ra |
| ALO 50 | white | 0,30 | 22062911-00 | | | 2900K - 2000h - 950 lm - 25° |
| ALO 50 | silver | 0,30 | 22062970-00 | | | |
| ALO 50 | chrome | 0,30 | 22062968-00 | | | |
| ALO 50 | gold | 0,30 | 22062995-00 | | | |

Complete with 230V lamps, mains voltage lamp.



Triple monochromatic power led optics:

LED module with three lens incorporated with three LEDs with a power rating of 1W at 350mA; to be used with 350mA constant current electronic power supply. The working temperature range lies between -30°C to 50°C. Available in three monochromatic versions with light beam width from 10°, 25°, 40°. A POWER LED has a useful working life of approximately 50.000 hours at the maximum permitted working temperature. Use in less demanding conditions compared with the maximum conditions will extend the POWER LED's useful working life.

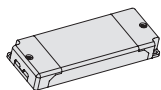
| Luna 1 - WHITE POWER LED | | | | | |
|--------------------------|--------|---------|-------------|----------------------|--|
| | | CLD S+L | | LED (Ta=25°C) | |
| wattage | colour | weight | code | Kelvin - ølm - Ra | |
| LED white 3x1,2W | white | 0,30 | 22063012-00 | 4000 K - 282lm - 25° | |
| LED white 3x1,2W | silver | 0,30 | 22063073-00 | | |
| LED white 3x1,2W | chrome | 0,30 | 22063064-00 | | |
| LED white 3x1,2W | gold | 0,30 | 22063095-00 | | |

Complete with 3 LED module, powered 1,4W each, beam angle: 30° (on request 10°- - 40°). On request: the version with LED in warm-white colour. Power supply is to be bought separately code 22090837-00.

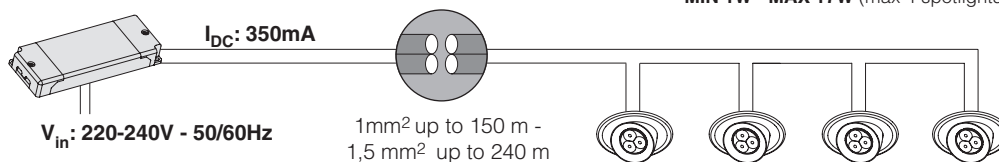
ADJUSTABLE RECESSED DOWN LIGHTS

POWER LED CONNECTIONS

CODE 22090837-00
Power supply LED

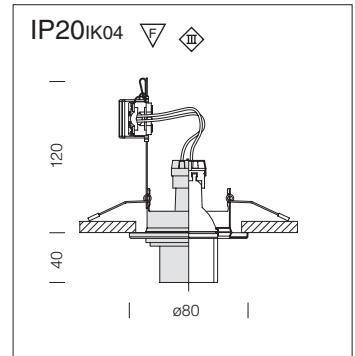
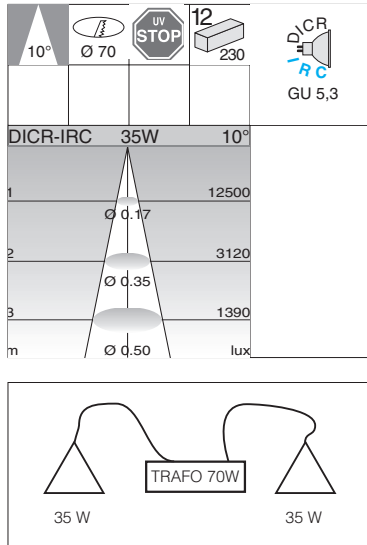


N.B: Observe the connec. in series
MIN 1W - MAX 17W (max 4 spotlights)



Use a 17W-350mA ballast, code 22090837-00, to power up to 4 products with triple monochromatic led lights.

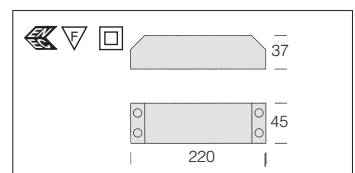
| CODE | TENSION | CURRENT I _{DC} | Minimum no. of spotlights | Maximum no. of spotlights | W | W |
|-------------|---------|-------------------------|---------------------------|---------------------------|---|----|
| 22090837-00 | 27,00 | 220-240V 50/60Hz | 350mA | 1 | 4 | 17 |
| 22090837-12 | 49,00 | DIMMABLE 1-10V | 350mA | 1 | 4 | 15 |



These very small chrome recessed spotlights are ideal to create atmospheric light in elegant and modern interior decorations.

Housing: Tilting made of aluminium.

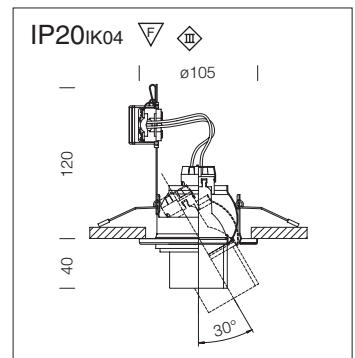
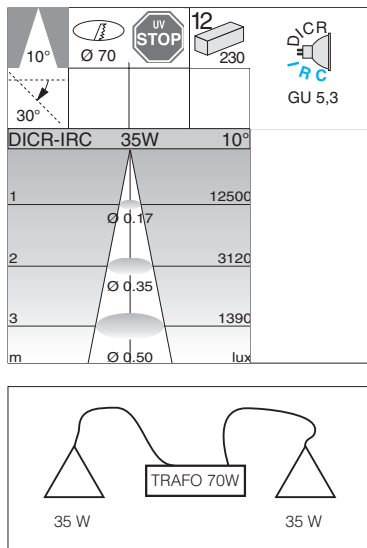
| Luna 3 - 12 Volt with IRC lamp | | | | |
|--------------------------------|--------|--------|-------------|-------------------------------|
| | | S+L | | Lamps (Ta=25°C) |
| wattage | colour | weight | code | Kelvin - ølm - Ra |
| DICR-IRC 35 | chrome | 0,20 | 22062761-00 | 3000K - 5000h - 12500cd - 10° |



| Luna 3 - WHITE POWER LED 6000K | | | | |
|--------------------------------|--------|---------|-------------|-------------------|
| | | CLD S+L | | Lamps (Ta=25°C) |
| wattage | colour | weight | code | Kelvin - ølm - Ra |
| LED white 3x1,4W | chrome | 0,20 | 22062765-00 | 6000K - 300lm |

dc Power supply
 230V/12V 20W [0,10] 22090838-00
 Supplies up to max 5 spotlights.
 Connections in series.

Complete with dichro-POWER LED beam angle: 15°. Colour temperature: 6000K; to be used with a power supply 12V-20W dc cod. 22090838-00 to power max. 5 spotlights.



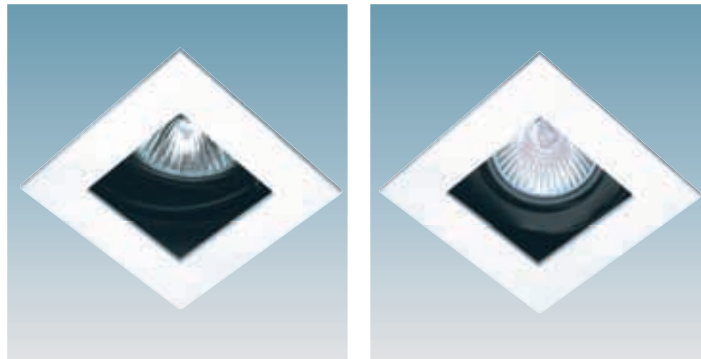
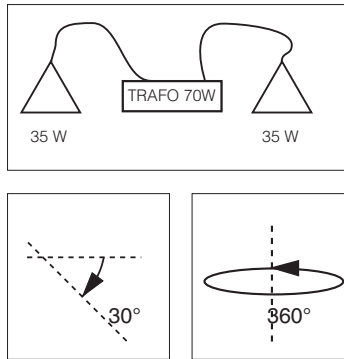
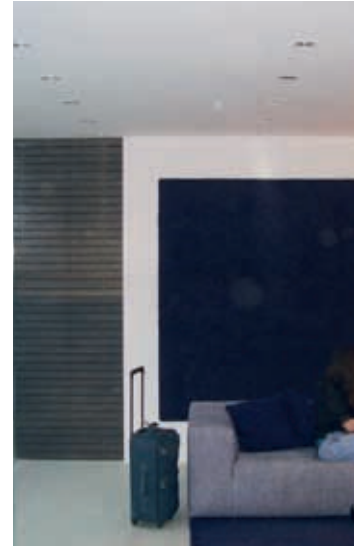
| Luna 4 - 12 Volt with IRC adjustable lamp | | | | |
|---|--------|--------|-------------|-------------------------------|
| | | S+L | | Lamps (Ta=25°C) |
| wattage | colour | weight | code | Kelvin - ølm - Ra |
| DICR-IRC 35 | chrome | 0,30 | 22062862-00 | 3000K - 5000h - 12500cd - 10° |

| Luna 4 - WHITE POWER LED 3000K | | | | |
|--------------------------------|--------|---------|-------------|-------------------|
| | | CLD S+L | | LED (Ta=25°C) |
| wattage | colour | weight | code | Kelvin - ølm - Ra |
| LED white 3x1,2W | chrome | 0,30 | 22062865-00 | 3000K - 300lm |

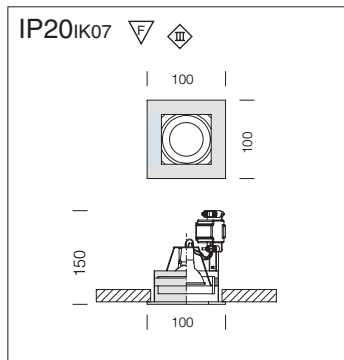
Complete with dichro-POWER LED, to be used with a power supply 12V-20W dc code 22090838-00 to power max. 5 spotlights.

Adjustable recessed small spotlight is ideal for internal modern design illumination.

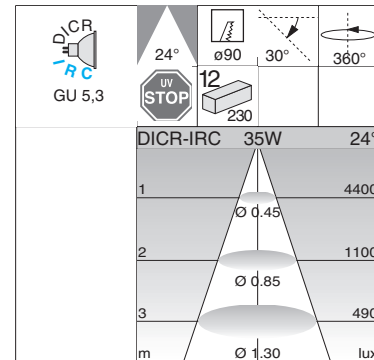
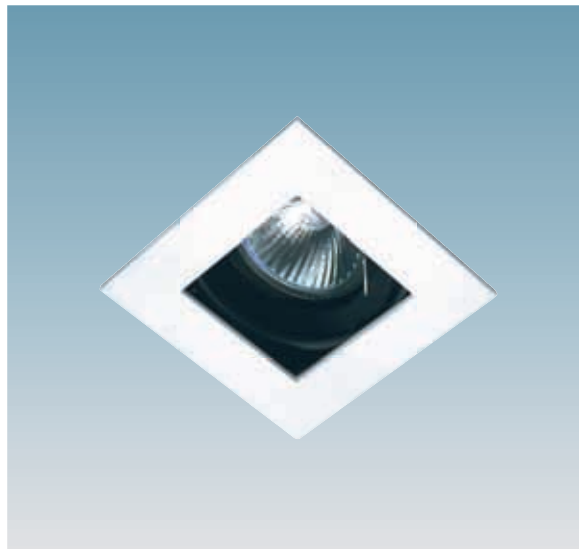
Housing: pressed steel.



In particular: the lamp and its light beam can be directed, thanks to double tilting ring mounted on two axis.



Light beam can be directed from -30° to +30°.



| Fénix Q | | | | |
|-------------|--------|--------|-------------|------------------------------|
| | | S+L | | Lamps (Ta=25°C) |
| wattage | colour | weight | code | Kelvin - ølm - Ra |
| DICR-IRC 35 | white | 0,30 | 22060914-00 | 3000K - 5000h - 4400cd - 24° |