



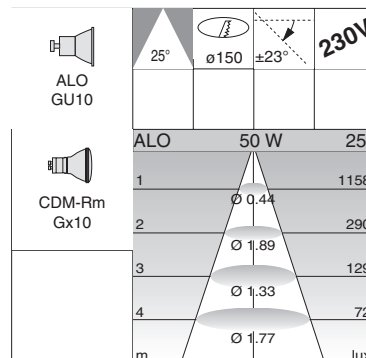
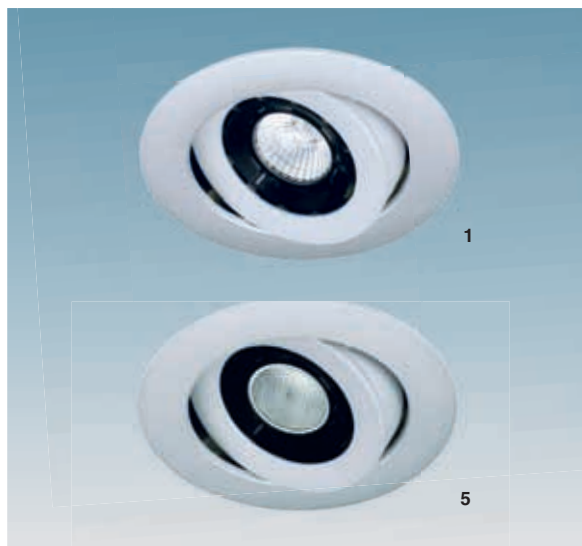
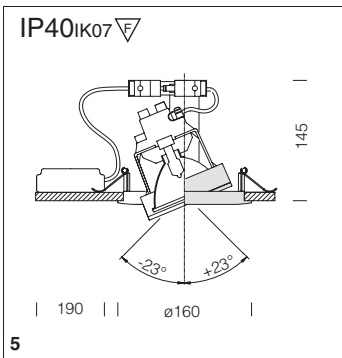
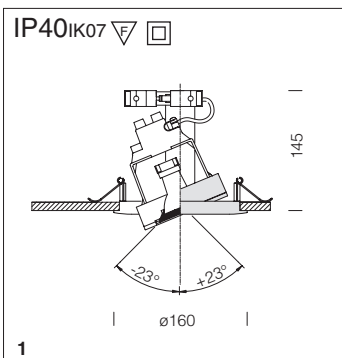
Housing: in die cast aluminium. Optic box with tempered clear glass.

Electric gear: 230V/50Hz power supply 50/60Hz or electronic transformer 220-240V/12V-50Hz.

Coating: Fluid-coated with a humidity resistant, UV-stabilised acrylic-resin paint, after a chromate treatment.

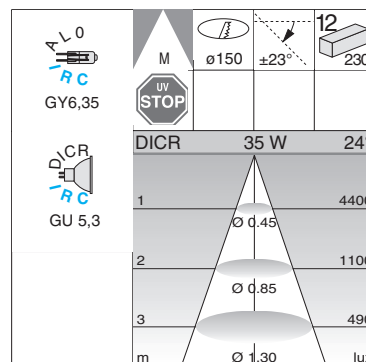
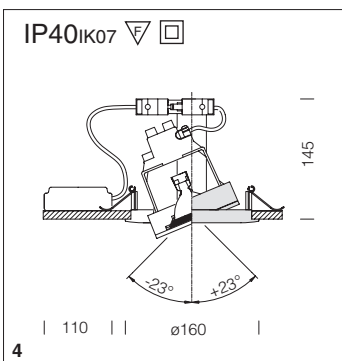
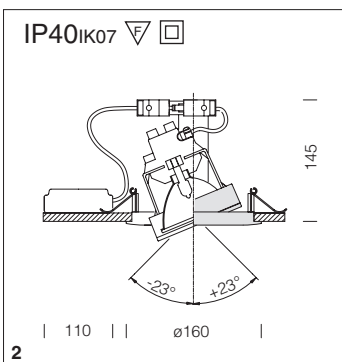
Equipment: With separate electric gear box. Supplied with flush springs from 1mm up to 20mm.





Lotus 1 - 230V				
		S+L		Lamps (Ta=25°C)
wattage	colour	weight	code	Kelvin - ølm - Ra
ALO 50	m. silver	0,60	22088370-00	2900K - 2000h - 950 lm - 25°
Complete with lamp. Adjustability: from +23° to -23°.				

Lotus 5				
		CELL		Lamps (Ta=25°C)
wattage	colour	weight	code	Kelvin - ølm - Ra
CDM-R Mini 20	m. silver	0,70	22088573-00	3000K - 1080cd - Ra 1b
Complete with lamp. Adjustability: from +23° to -23°.				



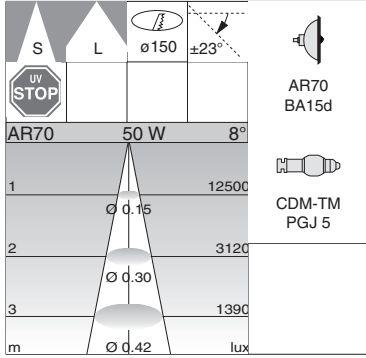
Lotus 2				
		CTL		Lamps (Ta=25°C)
wattage	colour	weight	code	Kelvin - ølm - Ra
ALO-IRC 35	white	0,70	22088411-00	3000K - 4000h - 860lm
ALO-IRC 35	m. silver	0,70	22088471-00	
Complete with lamp. Adjustability: from +23° to -23°.				

Lotus 4				
		CTL		Lamps (Ta=25°C)
wattage	colour	weight	code	Kelvin - ølm - Ra
DICR-IRC 35	m. silver	0,70	22088473-00	3000K - 5000h - 4400cd - 24°
Complete with lamp. Adjustability: from +23° to -23°.				

Reflector: High-efficiency prismatic and polished aluminium

DICR-IRC power saving lamps provide a luminous efficiency 30% higher than conventional DICR lamps; therefore: more light, lower consumption.

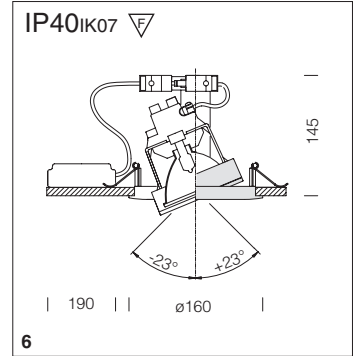
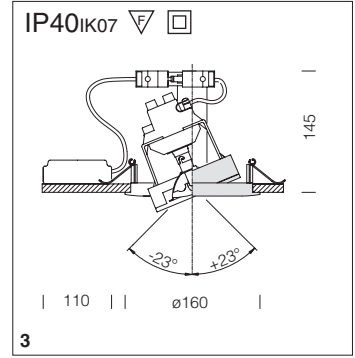




AR70
BA15d



CDM-TM
PGJ 5

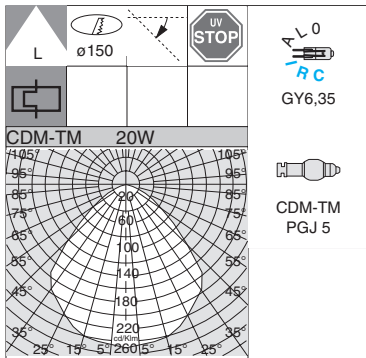


Lotus 3					
		CTL		Lamps (Ta=25°C)	
wattage	colour	weight	code	Kelvin - ølm - Ra	
AR70 50	white	0,70	22088412-00	3000K - 3000h - 12500cd	
AR70 50	m. silver	0,70	22088472-00		

Complete with lamp. Adjustability: from +23° to -23°.

Lotus 6 - wide beam					
		CELL		Lamps (Ta=25°C)	
wattage	colour	weight	code	Kelvin - ølm - Ra	
CDM-TM 20	m. silver	0,80	22088670-00	3000K - 1650 lm - Ra 1b	

Complete with lamp. Adjustability: from +23° to -23°.

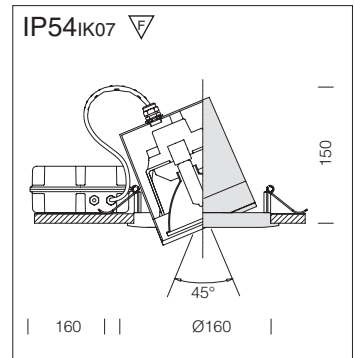


ALO
IRC

GY6,35

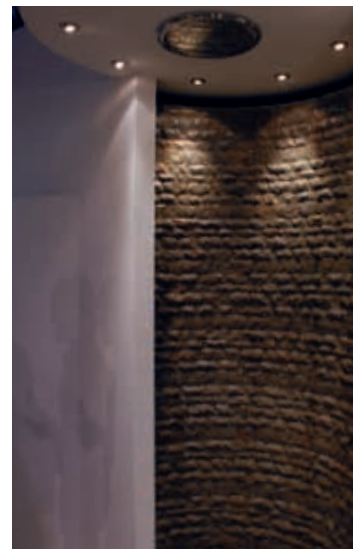


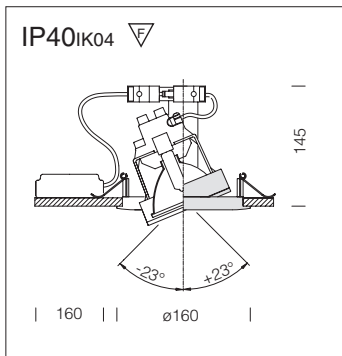
CDM-TM
PGJ 5



Lotus 8 - wide beam						
		CELL		CTL		Lamps (Ta=25°C)
wattage	colour	weight	code	weight	code	Kelvin - ølm - Ra
CDM-TM 20	m. silver	1,30	22088678-00			3000K - 1650lm - Ra 1b
ALO-IRC 35	m. silver			1,40	22088676-00	3000K - 4000h - 1250lm

Perfect for fitness and swimming pool areas. Energy saving IRC lamps ("ES" energy saver).



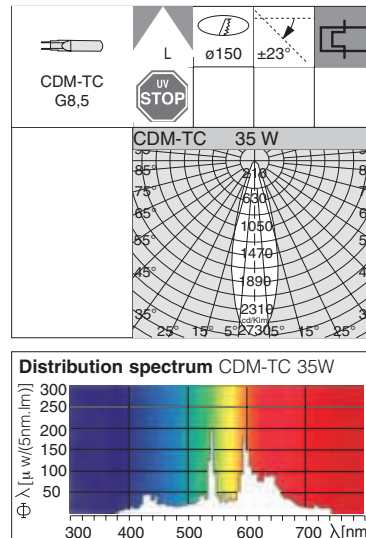


Complete with lamp and power supply

Reflector: High-efficiency prismatic and polished aluminium

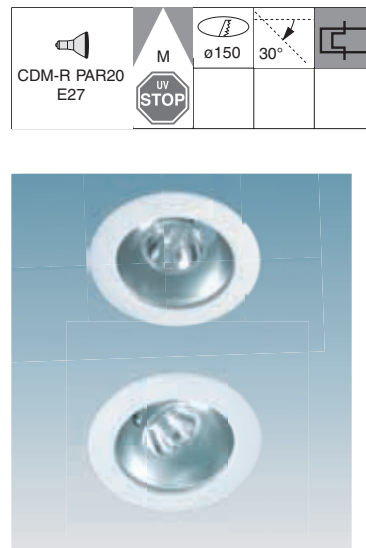
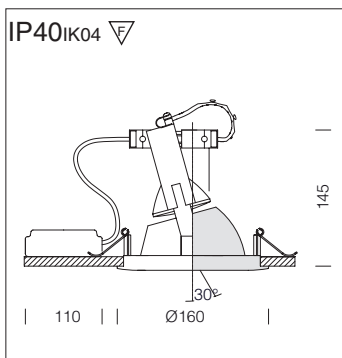
CDM Elite Lamps: suitable for shopping centres, ideal for enhancing the goods displayed.

- Maintenance cost reduction
- 10% increase in energy efficiency in contrast with traditional lamps
- Excellent colour rendering (Ra 90)
- Improved light levels (twice as powerful).



Lotus 7				
		CELL		Lamps (Ta=25°C)
wattage	colour	weight	code	Kelvin - ølm - Ra
CDM-TC Elite 35	white	0,90	22088711-00	3000K - 3500 lm - Ra 90
CDM-TC Elite 70	white	0,90	22088712-00	3000K - 7300 lm - Ra 90
CDM-TC Elite 35	m. silver	0,90	22088771-00	3000K - 3500 lm - Ra 90
CDM-TC Elite 70	m. silver	0,90	22088772-00	3000K - 7300 lm - Ra 90

Kit with 2 Lotus 7 and power supply				
		CELL		Lamps (Ta=25°C)
wattage	colour	weight	code	Kelvin - ølm - Ra
CDM-TC Elite 2x35	white	1,70	22088713-00	3000K - 3500 lm - Ra 90
CDM-TC Elite 2x70	white	1,70	22088714-00	3000K - 7300 lm - Ra 90
CDM-TC Elite 2x35	m. silver	1,70	22088773-00	3000K - 3500 lm - Ra 90
CDM-TC Elite 2x70	m. silver	1,70	22088774-00	3000K - 7300 lm - Ra 90



Lotus LED				
		CELL		Lamps (Ta=25°C)
wattage	colour	weight	code	Kelvin - ølm - Ra
LED white	s. silver	0,80	22088570-00	

Lotus 9				
		CELL		Lamps (Ta=25°C)
wattage	colour	weight	code	Kelvin - ølm - Ra
CDM-R PAR 20 35W	white	0,80	22088619-00	3000K - 2000lm - Ra 1b

