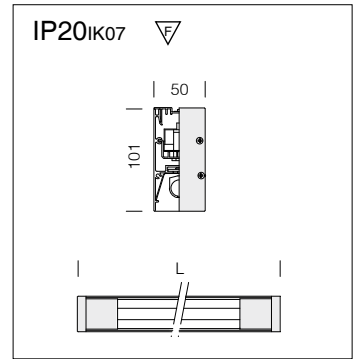
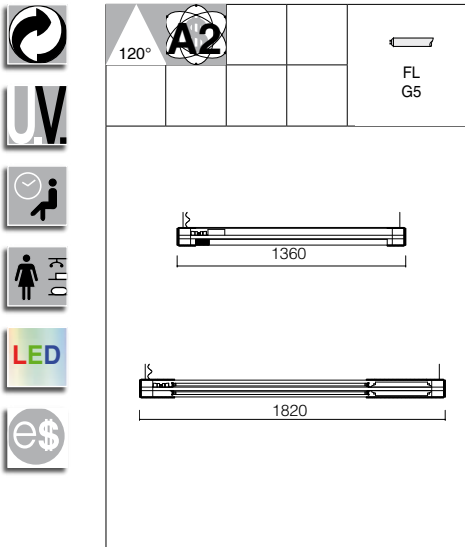






SYSTEMS

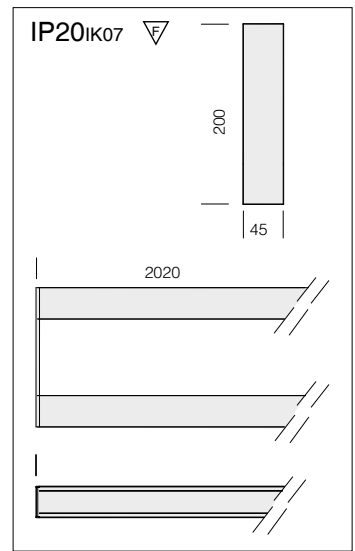


Liset suspension				
		CELL		Lamps (Ta=25°C)
wattage	colour	dimension	code	Kelvin - ølm - Ra
FL 1x54 + track	natural oxi.alum.	1820	22016175-00	4000K - 4450 lm - Ra 1b
FL 1+1x54	natural oxi.alum.	1820	22016473-00	4000K - 4450 lm - Ra 1b
FL 1x54	natural oxi.alum.	1360	22016571-00	4000K - 4450 lm - Ra 1b

Suspensions are to be acquired separately.

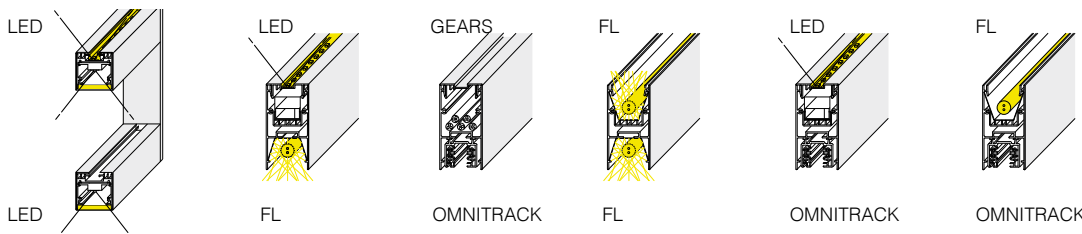
Liset suspension with LED					
		CLD CELL		Lamps (Ta=25°C)	LED
wattage	colour	dimension	code	Kelvin - ølm - Ra	1345mm (80 LED)
track + LED blue	nat.oxi.al.	1360	22015978-00		
FL 1x54+LED blu	nat.oxi.al.	1360	22015976-00	4000K - 4450 lm - Ra 1b	60,8

On request coloured LED version.

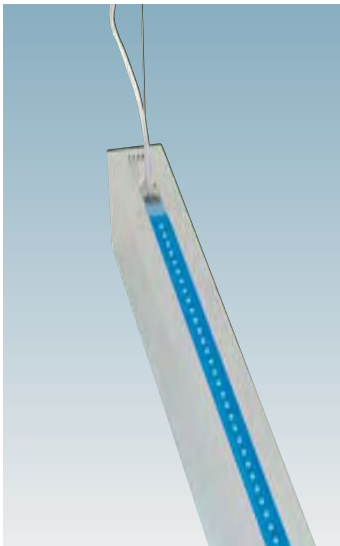
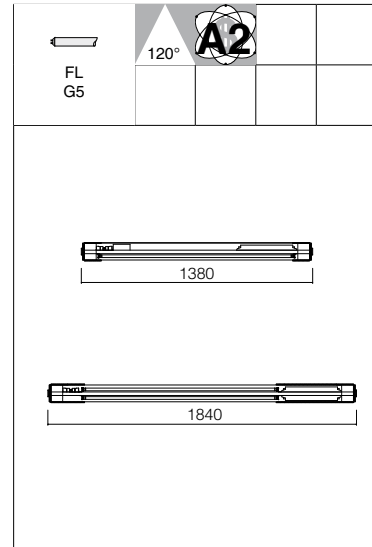
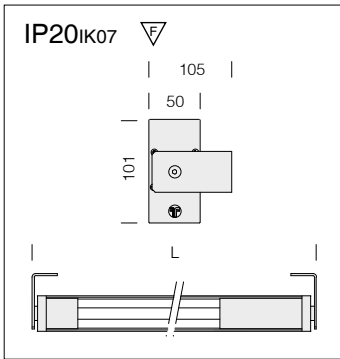


Liset design Bestetti & associate				
		CLD CELL		LED
wattage	colour	dimension	code	Complete with 6 LED modules each for 100mm
360x0,25 (o 0,33) LED WHITE	white	2020	22017110-00	

24V-150W power supply, the feeder box is housed in the false ceiling. The product comes with two support cables. Supplied with 0.25 LED lights for a total of 90W, or 0.33 LEDs for a total of 118.8



In the structure there is an option to insert an Omnitrack powered track or a FL lamp. The upper part is designed for insertion of the LED modules as well as for running cables.

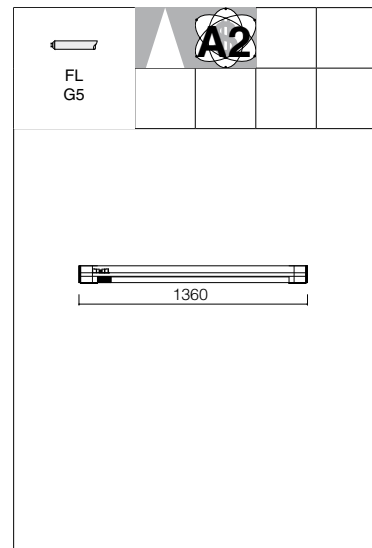
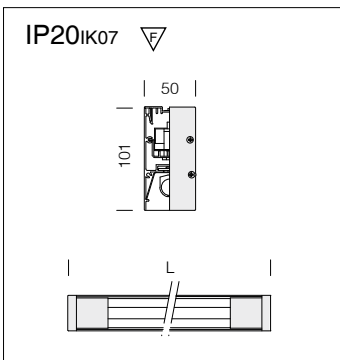


Liset wall					
		CELL		Lamps (Ta=25°C)	
wattage	colour	dimension	code	Kelvin - ølm - Ra	
FL 1+1x54	natural oxi.alum.	1840	22016873-00	4000K - 4450 lm - Ra 1b	
FL 1x54	natural oxi.alum.	1380	22016971-00	4000K - 4450 lm - Ra 1b	

Complete with wall brackets.

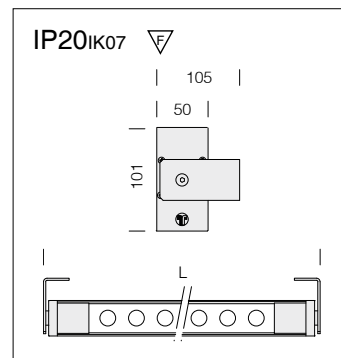
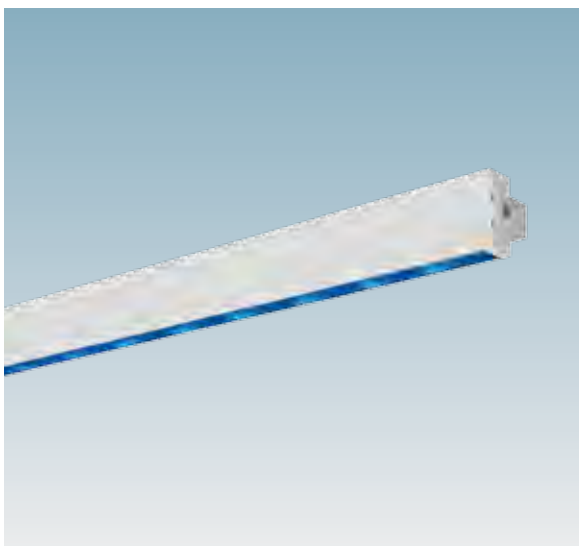
Liset wall with LED					
		CLD CELL		Lamps (Ta=25°C)	LED
wattage	colour	dimension	code	Kelvin - ølm - Ra	1360mm (80 LED)
FL 1x54+LED blue	nat. oxi.alum.	1308	22016776-00	4000K - 4450 lm - Ra 1b	60,8

On request coloured LED version.



Liset ceiling version							
		CELL		CN		Lamps (Ta=25°C)	
wattage	colour	dim.	code	dim.	code	Kelvin - ølm - Ra	
FL1x54	a. oxy. nat.	1360	22016271-00			4000K - 4450 lm - Ra 1b	
direct track	a. oxy. nat.			1360	22016274-00		

For ceiling mounting use tie rod code 22025873-00

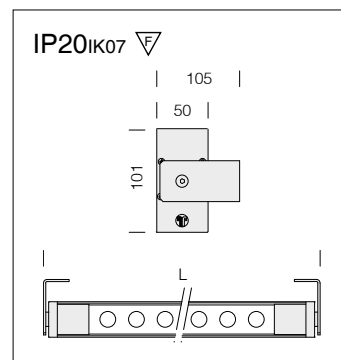
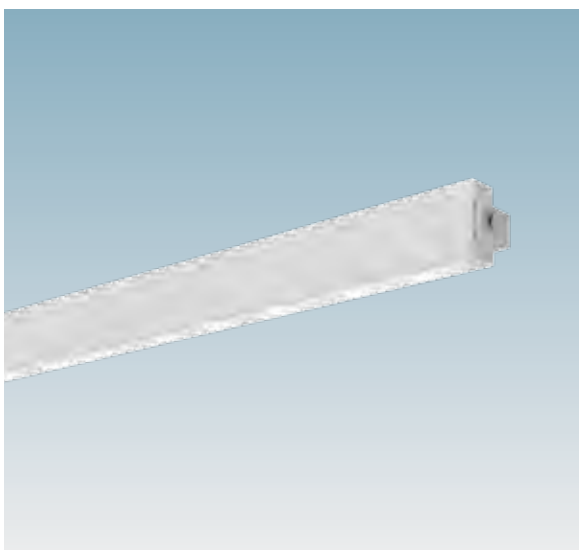
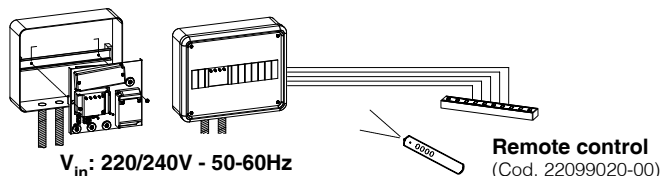


LED: Complete with 9 LED RGB of 3,2W. KIT2 cod 22090873-00 is to be acquired separately (complete with plate, Master, Slave, 2 power supplies and a terminal block) and remote control code 22099020-00

Liset RGB wall version							
wattage/W	colour	CLD CELL			LED (Ta=25°C)		
		dim.	code	W tot	350mA		
9x3,2W LED RGB	nat. oxi.alum.	1020	22016774-00	29,8	R=30	G=40	B=9

Luminous flux refers to the individual LED.
 Art. 22090870-00 (Master + Ricevitore IRE, telecomando necessario) or art. 22090872-00 on plate(1 Master, IRE Receiver and a terminal block for the network connection) is to be acquired separately. Required buy remote control.

KIT2 COD. 22090870-00

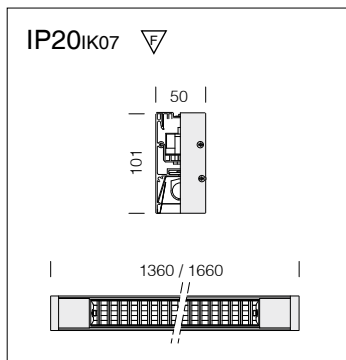


Liset LED POWER LED WHITE 6300K wall version					
wattage (350mA)	colour	CLD CELL		W tot	LED (Ta=25°C)
		dimension	code		
10x1,4W LED white	nat. oxi.alum.	1020	22016772-00	14W	K - 350mA 6300 K - 80 lm

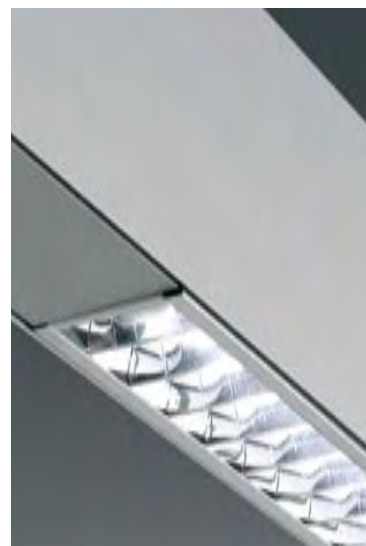
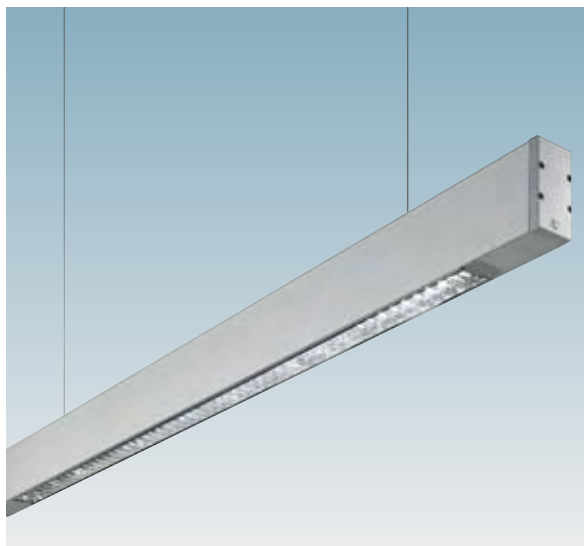
Equipped with 10 LED white. **Total flux:** (10x80lm) = 800lm

Liset LED POWER LED WHITE 3200K wall version					
wattage(350mA)	colour	CLD CELL		W tot	LED (Ta=25°C)
		dimension	code		
10x1,4W LED white	nat. oxi.alum.	1020	22016778-00	14W	K - 350mA 3200 K - 70 lm

Equipped with 10 LED white. **Total flux:** (10x70lm) = 700lm

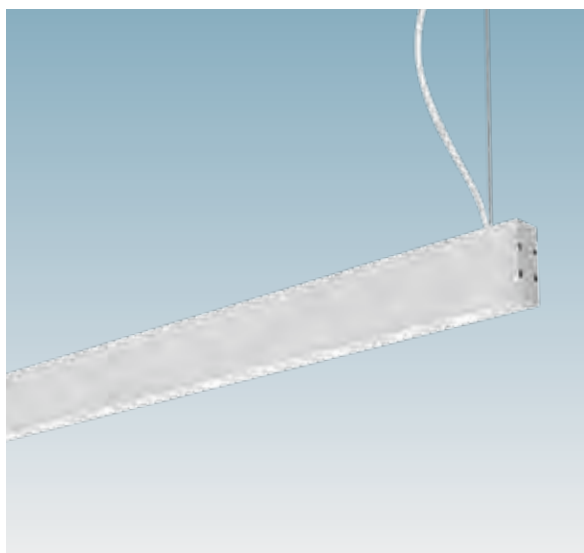
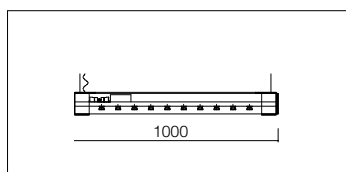
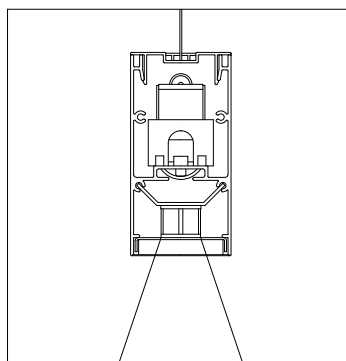
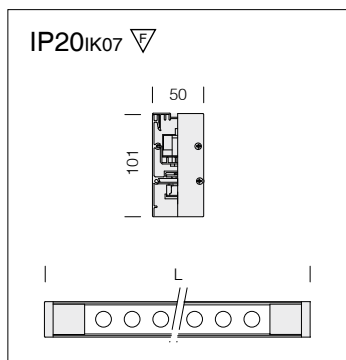


Darklight Fixtures: Dark light double parabolic louvres, in high-gloss plated aluminium 99.99. Anti-glare and anti-iridescence, very low luminance. PVD treatment to increase light efficiency.



Liset suspension with Darklight Fixtures			
		CELL	
wattage	colour	dimension	code
FL 1x28/54	natural oxi.alum.	1360	22016375-00
FL 1x35/49	natural oxi.alum.	1660	22016376-00

Supplied with **multiwatt** ballast, which enables to use different lamps in the same lighting fixture. This flexibility allows different applications by simply replacing the lamp, so as to obtain customized light effects at work and suitable light levels.

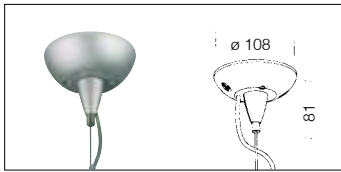


Liset suspension with POWER LED					
		CLD CELL		W tot	LED (Ta=25°C)
wattage (350mA)	colour	dimension	code		K - 350mA
10x1,4W LED white	natural oxi.alum.	1000	22016075-00	14	6300 - 80lm

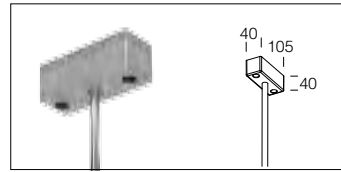
Equipped with 10 LED white.
Total flux: (10x80lm) = 800lm

Liset suspension with POWER LED RGB						
		CLD CELL		W tot	LED	
wattage	colour	dimension.	code		350mA	
9x3,2W LED RGB	natural oxi.alum.	1000	22016074-00	32	R=30	G=40 B=9

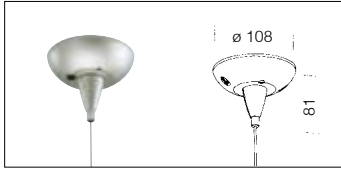
Equipped with 9 LED RGB of 3,2W. Art. 22090870-00 (Master + Ricevitore IRE, telecomando necessario) or art. 22090872-00 on plate (1 Master, IRE Receiver and a terminal block for the network connection) is to be acquired separately. To buy remote control.
 Luminous flux refers to the individual LED.



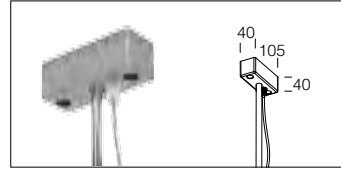
Powered suspension	
100 cm	22003173-00
Supplied with steel wire, millimetre adjustment device, and power cord. Max load: 20 Kg. Length 100 cm.	



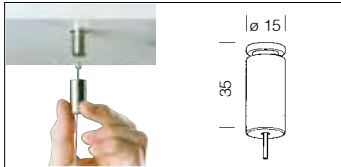
Suspension with rods	
50 cm	22003177-00
Complete with rods. Max loading: 30Kg. Length: 50cm - ø10 mm.	



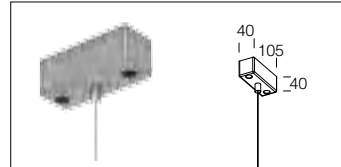
Suspension	
100 cm	22003171-00
Supplied with steel wire and millimetre adjustment device. Max load: 20 kg.	



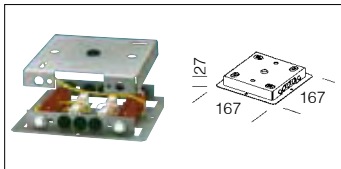
Powered suspension with rods	
50 cm	22003175-00
Complete with power cord and rods. Max loading: 30Kg. ø10 mm.	



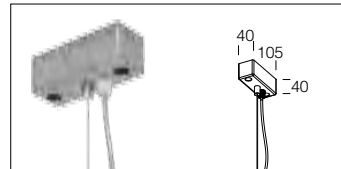
Suspension	
galvanised	22005473-00
Supplied with steel wire (l=1,75m) and millimetre adjustment device. Max load: 20 kg.	



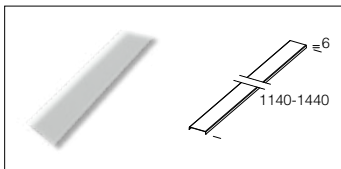
Suspension with wire	
100 cm	22003176-00
Complete with steel wire and millimetre adjustment device. Max load: 20 kg.	



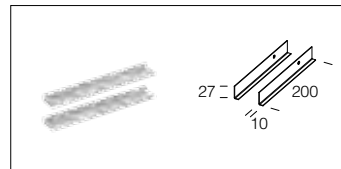
Small junction box	
m. silver	22005473-00
It is recommended for wall/ceiling application in a single/multiple composition. Contains clamp for power connection.	



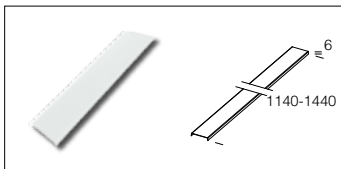
Powered suspension with wire	
100 cm	22003174-00
Supplied with steel wire and millimetre adjustment device and power cord. Max loading: 20Kg	



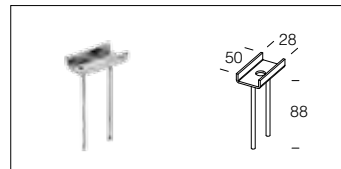
Transparent diffuser	
54/28W	22025802-00
80/49/35W	22025804-00
In dust-proof plexiglass.	



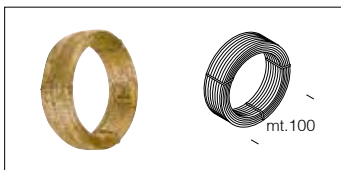
Alignment brackets	
22025875-00	
Utilize for Liset installation in continuous line.	



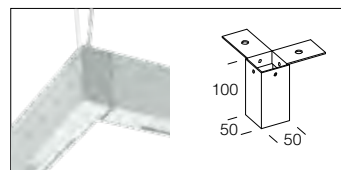
Opal diffuser	
54/28W	22025803-00
80/49/35W	22025805-00
In dust-proof plexiglass. Anti-glare.	



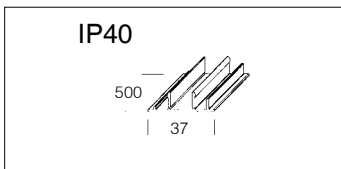
Ceiling tie-rod	
22025873-00	
Utilize for direct ceiling Liset installation.	



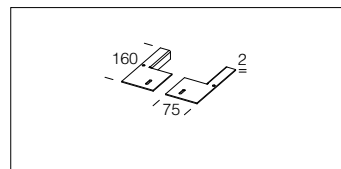
Suspension wire	
steel	22005226-00
In steel wire. For simple and powered suspension	



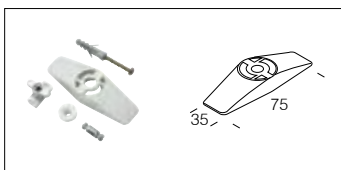
Angle joint	
22025874-00	
Utilize for Liset right angle installation.	



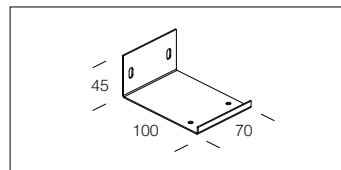
Cover for IP40	
White alum.	22025515-00
Black alum.	22025533-00
Nat.oxy.alum.	22025572-00
To install when Liset is completed with track as a IP40 cover, according to CEI EN 60529 standard.	



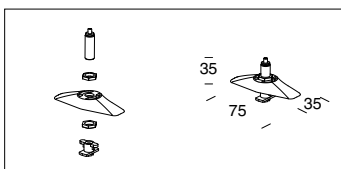
Brackets	
22005383-00	
Steel. To be utilized for Compendio installation on Liset.	



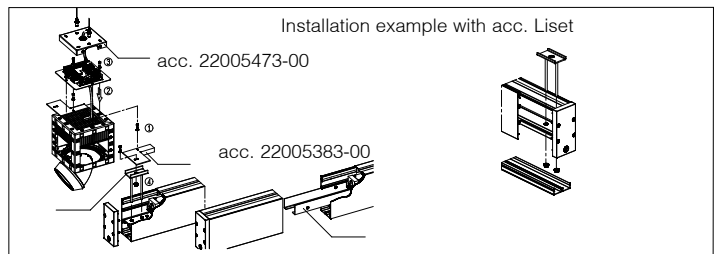
Ceiling connection for Liset IP65	
grey	22005384-00
For direct ceiling installation. Max load: 6 kg. Always use 2 pcs. To use only with Liset 22017071/17072/17073-00	

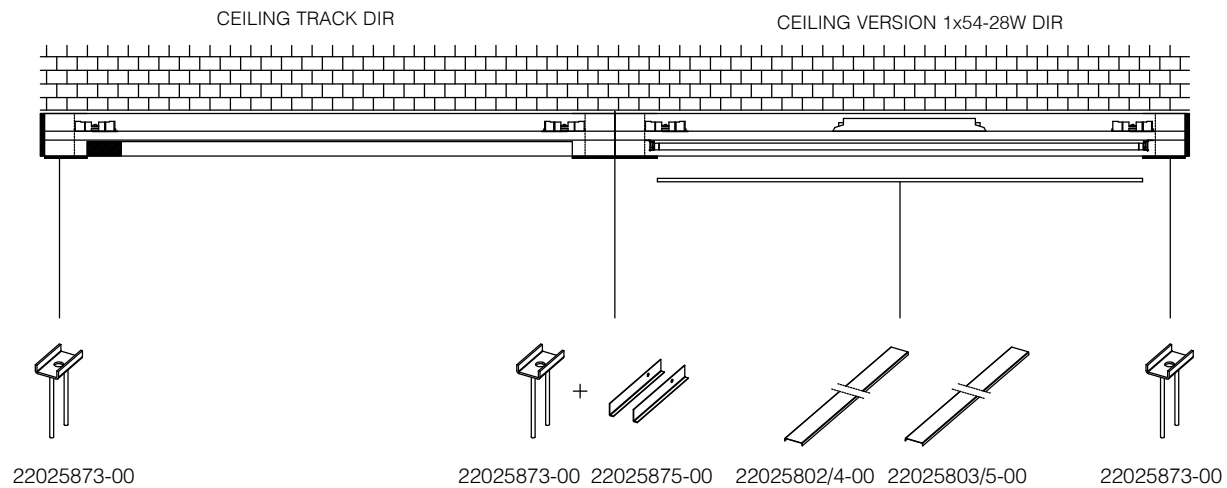
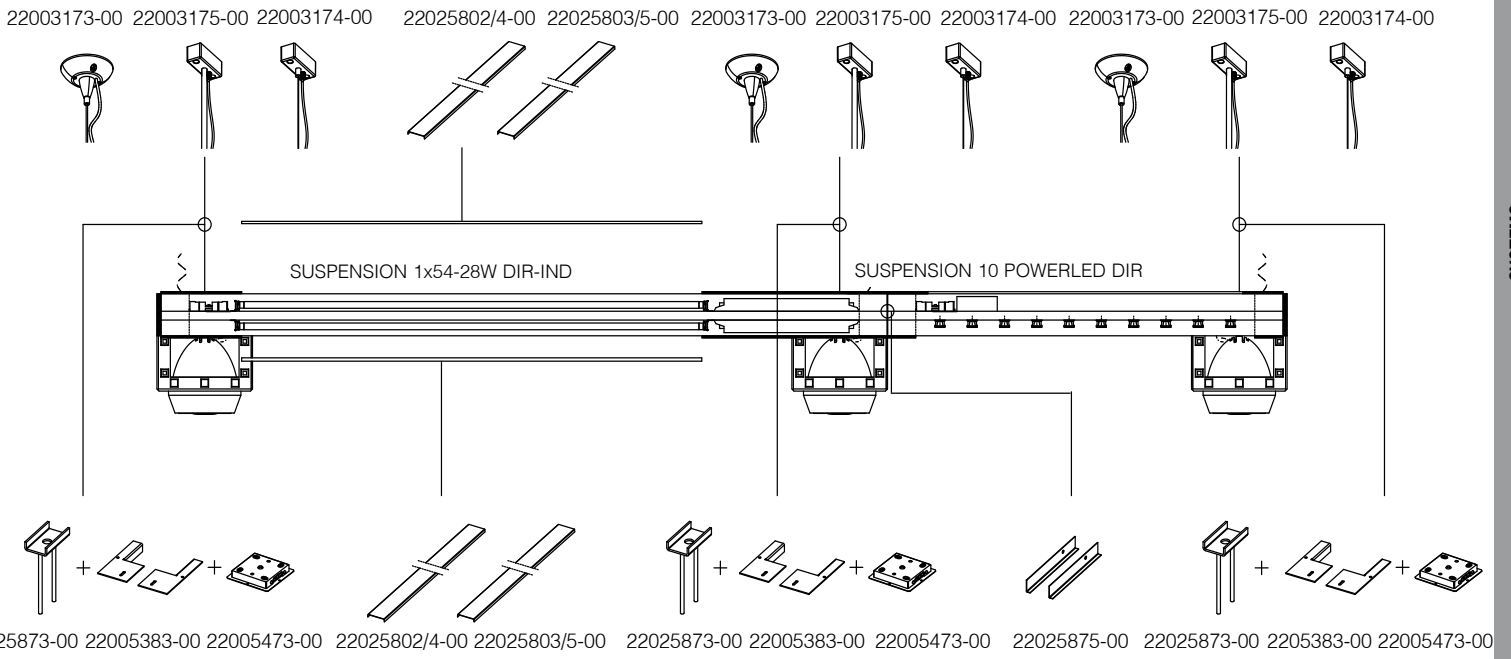
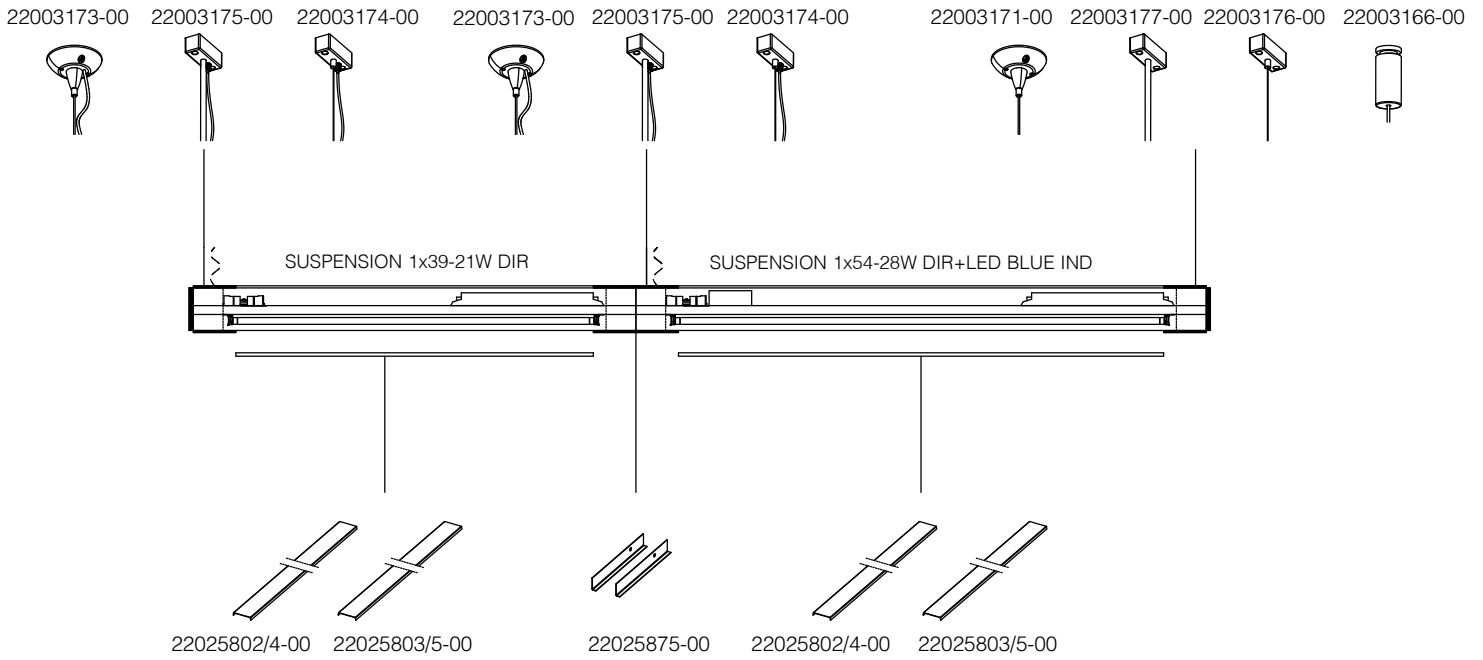


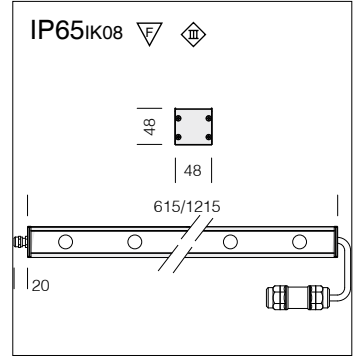
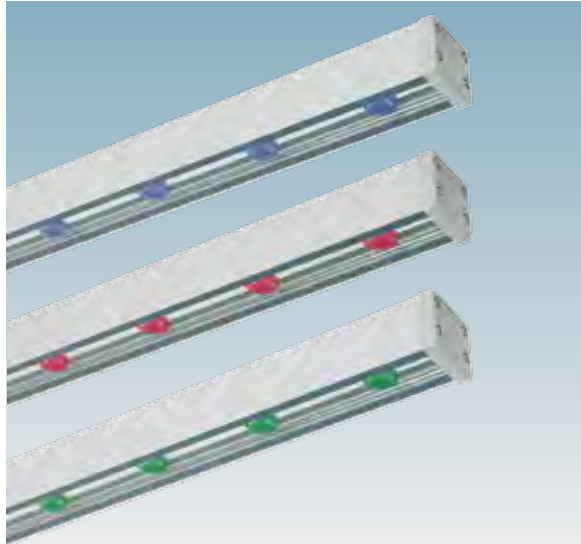
Liset fixed IP65 brackets	
galvanised	22025806-00
Utilize for Liset 22017071/17072/17073-00 to wall or ceiling installation	



Suspension for Liset IP65	
grey	22005385-00
For direct suspending installation. Supplied with wire clamp and terminal. Always use 2 pcs. For suspension, to use with acc. 22003166/3171/3176-00. To use only with Liset 22017071/17072/17073-00	







LED: modules, 48V DC current, 300 mm long, lenses (standard 40°) mounted on heat sinks. Lens gradation can be modified.

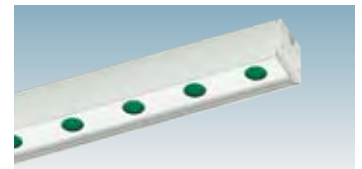
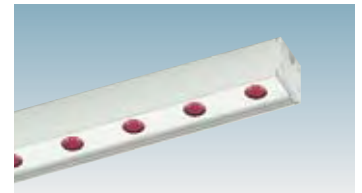
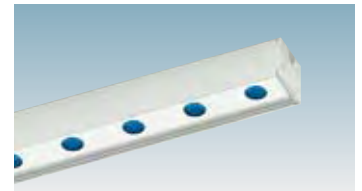
Liset IP 65 RGB - with 35mm lens					
		CLD S+L		W tot.	LED
wattage (350mA)	colour	dimension	code		ølm 350mA
6x3,2W LED RGB	nat. oxi.alum.	615	22017173-00	20	R 35, G 57, B 13
12x3,2W LED RGB	nat. oxi.alum.	1215	22017175-00	40	R 35, G 57, B 13

Supplied with RGB LED lights (typical value =3.2W. Max value =3.9W). 35mm lens version for high luminous efficiency.

N.B.: always purchase power supply boxes separately to power RGB LED lights (with control relay card):
 cod. 22092051-00 - box with card for 12 RGB LED lights
 cod. 22092052-00 - DMX signal regenerator
 N.B.: The cards can control up to 48V per channel (RGB). Up to 12 LED lights per card.
 For further information please go to www.fosnova.it

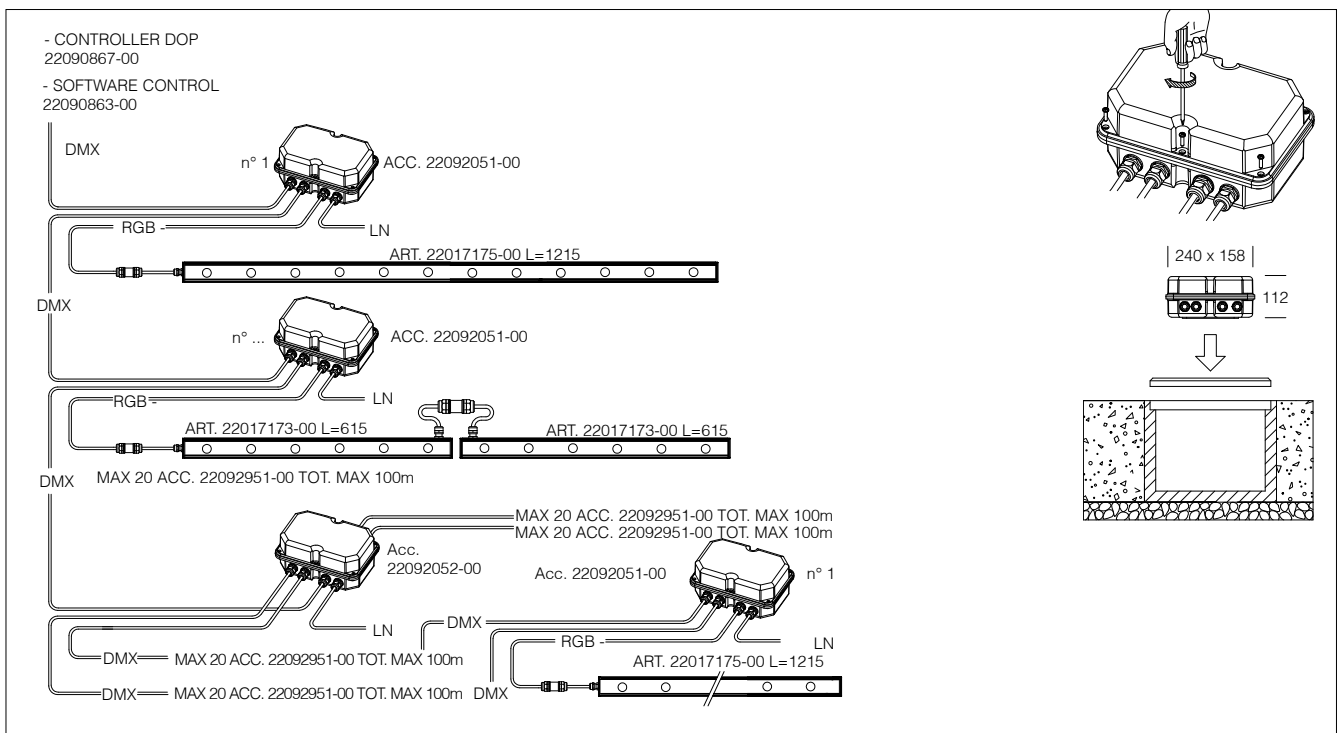
Liset IP 65 RGB					
		CLD S+L		W tot.	LED
wattage (350mA)	colour	dimension	code		ølm 350mA
6x3,2W LED RGB	nat. oxi.alum.	615	22018078-00	20	R 35, G 57, B 13
12x3,2W LED RGB	nat. oxi.alum.	1215	22018079-00	40	R 35, G 57, B 13

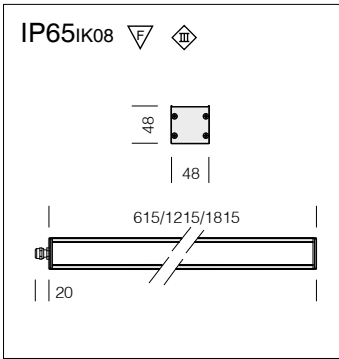
Luminous flux related to individual LED



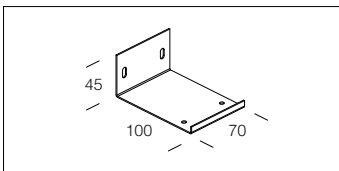
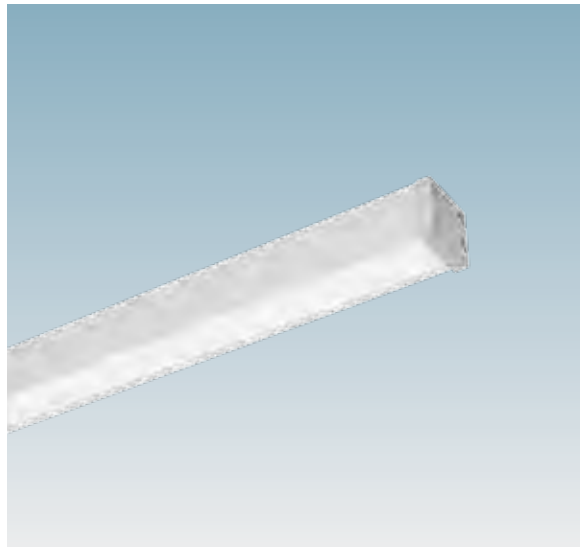
To DMX control, utilize DOP Controller cod. 22090867-00 or:

- cod. 22090863-00 **SOFTWARE DMX CONTROLLER**
- cod. 22090862-00 **IP65 BOX CONTROLLER DMX**





LED: Strip 24V-DC RGB. 3m maximum standard connection length of LISET (tot. 42V)

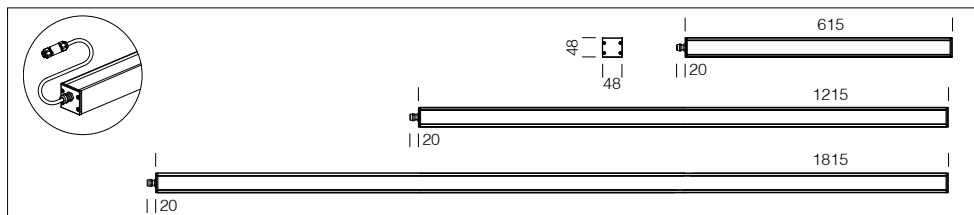


Liset fixed IP65 brackets	
galvanised	22025806-00
Utilize for Liset 22017071/17072/17073-00 to wall or ceiling installation	

Liset IP sessantacinque strip RGB					
		CLD S+L		LED	
wattage (350mA)	colour	dimension	code	W tot.	ølm 350mA
36x0,25 LED RGB	a. oxydé. nat.	615	22017177-00	9	R 68 - G 130 - B 25
72x0,25 LED RGB	a. oxydé. nat.	1215	22017178-00	18	R 130 - G 260 - B 50
108x0,25 LED RGB	a. oxydé. nat.	1815	22017179-00	27	R 195 - G 389 - B 76

Complete with 6 modules led for each 100mm
 The system uses 15W per linear metre
N.B.: always purchase power supply boxes separately to power RGB LED lights (with control relay card):
 code 22092054-00 - box with DMX card, 24V max 100W
 code 22092052-00 - DMX signal regenerator, 1 for every 20 boxes.
 Total flux to each rgb strip.
 For further information go to www.fosnova.it

n° LED	LENGTH mm	P. Watt
36	615	9W
72	1215	18W
108	1815	27W



Housing: in extruded aluminium, oxidized.

End cap: In die-cast aluminium, coated with exterior polyester paint.

Diffuser: made in glass.

LED: Supplied with LED neutral white".

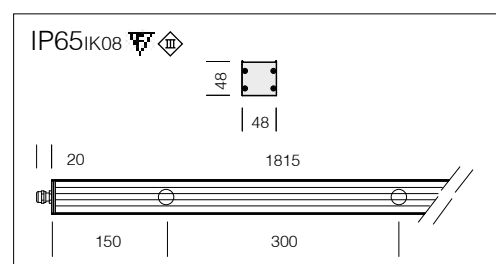
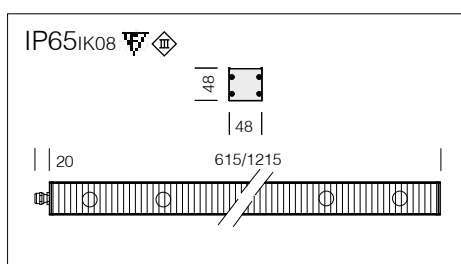
Power supply: Separated from LISET IP65, with IP67 ballast (input 240V, output 24V).

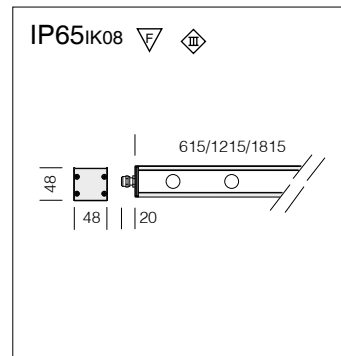
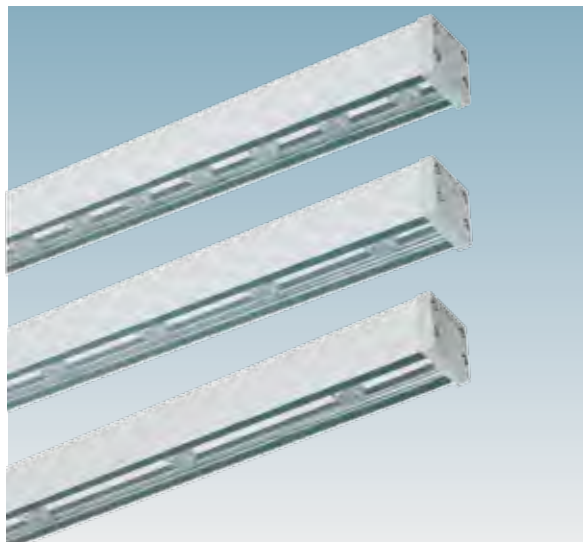
Liset IP sessantacinque LED - WALLWASHER					
		CLD S+L		LED (Ta=25°C)	
wattage (350mA)	colour	L	code	w tot.	K ølm 350mA
6x1,4W LED white	nat. oxidized al.	615	22018071-00	9	4100 80
12x1,4W LED white	nat. oxidized al.	1215	22018072-00	17	4100 80

3.6m, maximum standard connection length of LISET (51w). Prismatic scored glass diffuser for better longitudinal light distribution.

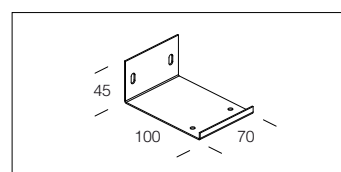
Liset IP sessantacinque LED - WIDE DIFFUSER					
		CLD S+L		LED (Ta=25°C)	
wattage (350mA)	colour	L	code	w tot.	K ølm 350mA
6x1,4W LED white	nat. oxidized al.	1815	22018075-00	9	4100 80

Prismatic scored glass diffuser for better wide transversal light distribution.





LED: Supplied with LED neutral white[®], 10°. On request: beam angle 24° and 40°.



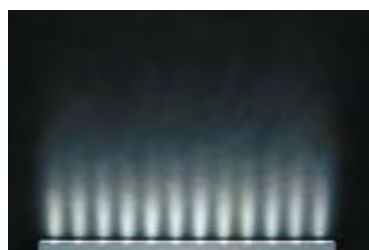
Liset fixed IP65 brackets
galvanised | 22025806-00
Utilize for Liset 22017071/17072/17073-00 to wall or ceiling installation

Liset IP sessantacinque LED		CLD S+L			LED (Ta=25°C)	
wattage (350mA)	colour	dim.	code	w tot.	K	ølm 350mA
10x1,4W LED white	natural oxi.alum.	615	22017071-00	14	4100	80
6x1,4W LED white	natural oxi.alum.	615	22017074-00	8.5	4100	80
4x1,4W LED white	natural oxi.alum.	615	22017077-00	6	4100	80
20x1,4W LED white	natural oxi.alum.	1215	22017072-00	28	4100	80
12x1,4W LED white	natural oxi.alum.	1215	22017075-00	17	4100	80
8x1,4W LED white	natural oxi.alum.	1215	22017078-00	12	4100	80
30x1,4W LED white	natural oxi.alum.	1815	22017073-00	42	4100	80
18x1,4W LED white	natural oxi.alum.	1815	22017076-00	26	4100	80
12x1,4W LED white	natural oxi.alum.	1815	22017079-00	18	4100	80

Power supply (code 22092036/92038-00) must be purchased separately. 3.6m, maximum standard connection length of LISET. **Total flux:** n° LED x 80lm



Beam art. 22017072-00



Beam art. 22017075-00



Beam art. 22017078-00

