



Housing: Die-cast aluminium with accessible frame designed with bayonet coupling to allow easy lamp maintenance.

Reflector: Mirror-finish, faceted aluminium for the ceramic versions.

Coating: Acrylic resin based UV resistant powder paint.

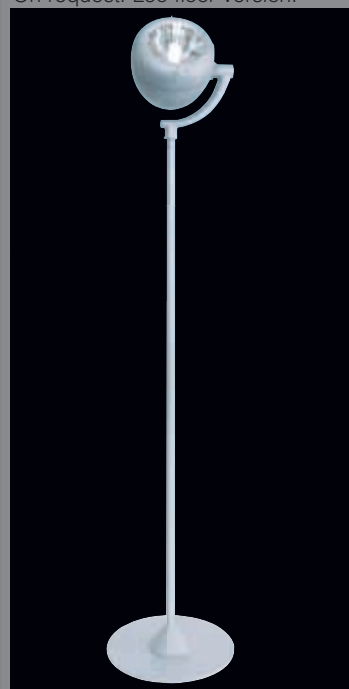
Lampholder: Ceramic and with silver-plated contacts.

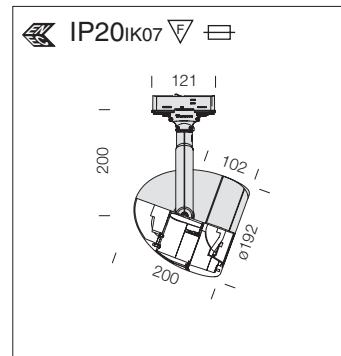
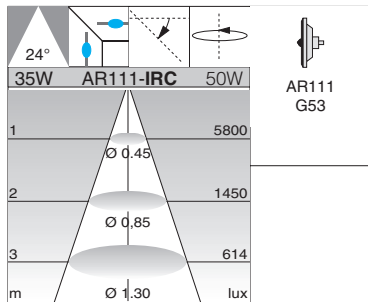
Electronic gear: 230-240V/50-60Hz power supply with electronic ballast or 12 V transformer. Silicon insulated wire with glass fibre braid, cross-section 1.0 mm².

Equipment: supplied complete with adjustable bracket (on vertical axis with 355° rotation) in die-cast aluminium providing internal passage for wires.

Standards: Products comply with EN 60598-1-CEI 34.21 standards, with level of protection in accordance with EN 60529 standards.

On request: Leo floor version.

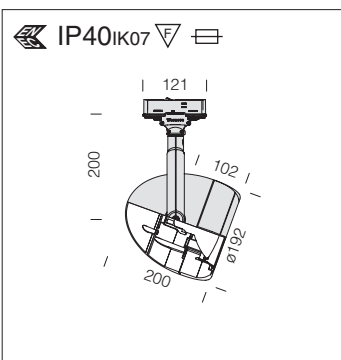
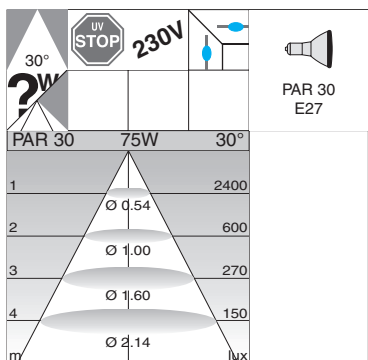




AR111-IRC power saving lamps provide a luminous efficiency 33% higher than conventional AR111 lamps; therefore: more light, lower consumption.

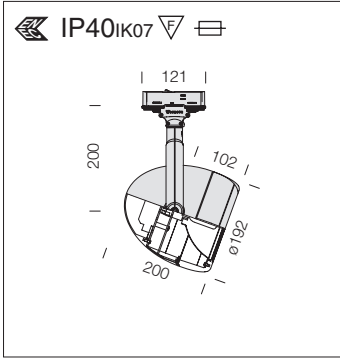
Leo 2				
		CTL-F		Lamps (Ta=25°C)
wattage	colour	weight	code	Kelvin - h - ølm - Ra
AR111-IRC 50	white	1,70	22710111-00	3000K - 4000h - 5800cd - 24°
AR111-IRC 50	m. silver	1,70	22710171-00	

Supplied with transformer and IRC lamp = energy saving. ES (Energy Saver)

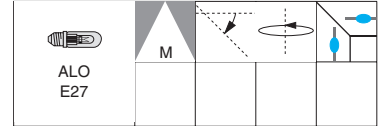


Leo 3				
		S+L-F		Lamps (Ta=25°C)
wattage	colour	weight	code	Kelvin - h - ølm - Ra
ALO-PAR30 75	white	1,80	22710212-00	2900K - 2000h - Ra 1b - 30°
ALO-PAR30 75	m. silver	1,80	22710272-00	

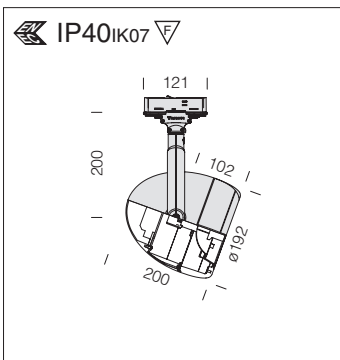
Lamp set with glass reflector for bright light effects.



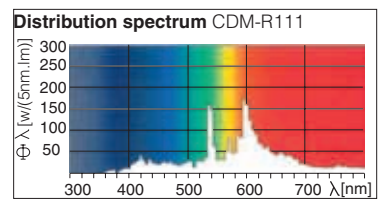
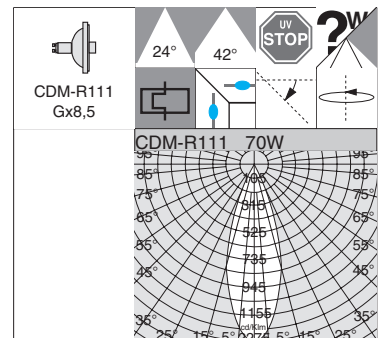
Reflector: high-gloss aluminium.



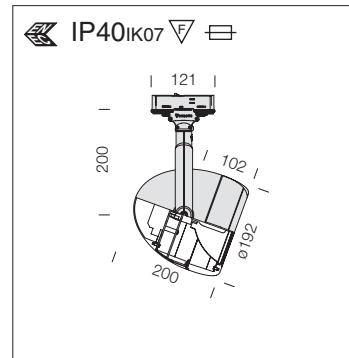
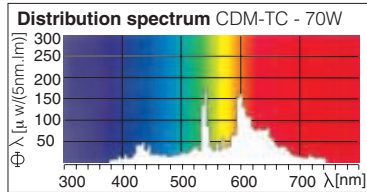
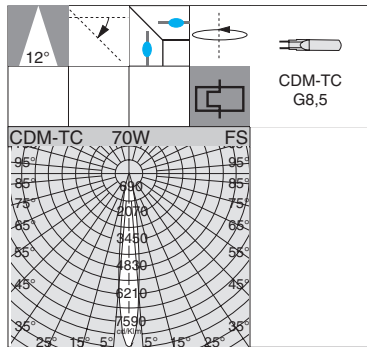
Leo 4				
		S+L-F		Lamps (Ta=25°C)
wattage	colour	weight	code	Kelvin - ølm - Ra
ALO 100 ECO	white	1,70	22710311-00	2900K - 1800 lm - Ra 1b
ALO 100 ECO	m. silver	1,70	22710371-00	



CDM-R lamps are designed for decorative illumination and expositions. The energy consumption and heat production are reduced by at least 66%. Lamps life is up to 4 times more than using a halogen lamp (11000h average life).



Leo 5				
		CELL-F		Lamps (Ta=25°C)
wattage	colour	weight	code	Kelvin - h - ølm - Ra
CDM-R111 35	white	2,00	22710411-00	3000K - 1350lm - Ra 1b - 24°
CDM-R111 35	m. silver	2,00	22710471-00	
CDM-R111 70	white	2,00	22710412-00	3000K - 2850lm - Ra 1b- 42°
CDM-R111 70	m. silver	2,00	22710472-00	

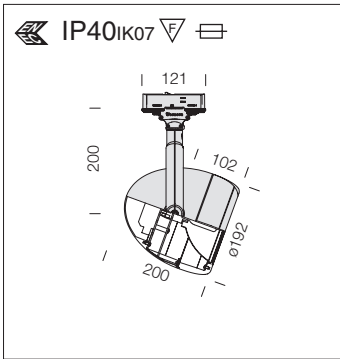


Reflector: in oxidized and faceted aluminium
Diffuser: protection clear tempered glass.

CDM Elite Lamps: suitable for shopping centres, ideal for enhancing the goods displayed.
 - Maintenance cost reduction
 - 10% increase in energy efficiency in contrast with traditional lamps
 - Excellent colour rendering (Ra 90)
 - Improved light levels (twice as powerful)

Leo 4 FS				
		CELL-F		Lamps (Ta=25°C)
wattage	colour	weight	code	Kelvin - h - ølm - Ra
CDM-TC Elite 35	white	2,10	22710313-00	3000K - 3500 lm- Ra 90 - 12°
CDM-TC Elite 35	m. silver	2,10	22710373-00	3000K - 3500 lm- Ra 90 - 12°
CDM-TC Elite 70	white	2,10	22710316-00	3000K - 7300 lm- Ra 90 - 12°
CDM-TC Elite 70	m. silver	2,10	22710376-00	3000K - 7300 lm- Ra 90 - 12°

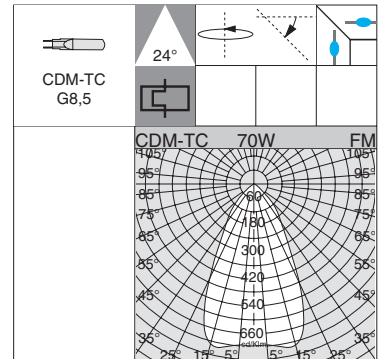
Supplied with electronic gear and lamp.



Reflector: in oxidized aluminium with semi-spherical facets.
Diffuser: protection clear tempered glass.

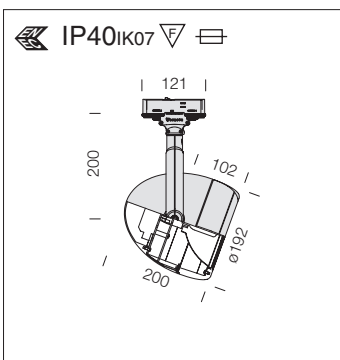
CDM Elite Lamps: suitable for shopping centres, ideal for enhancing the goods displayed.

- Maintenance cost reduction
- 10% increase in energy efficiency in contrast with traditional lamps
- Excellent colour rendering (Ra 90)
- Improved light levels (twice as powerful)



Leo 4 - FM				
		CELL-F		Lamps (Ta=25°C)
wattage	colour	weight	code	Kelvin - h - ølm - Ra
CDM-TC Elite 35	white	2,10	22710314-00	3000K - 3500 lm- Ra 90 - 24°
CDM-TC Elite 35	m. silver	2,10	22710374-00	3000K - 3500 lm- Ra 90 - 24°
CDM-TC Elite 70	white	2,10	22710317-00	3000K - 7300 lm- Ra 90 - 24°
CDM-TC Elite 70	m. silver	2,10	22710377-00	3000K - 7300 lm- Ra 90 - 24°

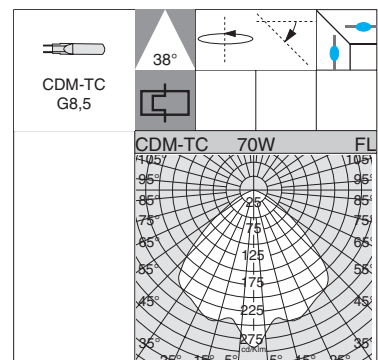
Supplied with electronic gear and lamp.



Reflector: in oxidized and faceted matt aluminium
Diffuser: protection clear tempered glass.

CDM Elite Lamps: suitable for shopping centres, ideal for enhancing the goods displayed.

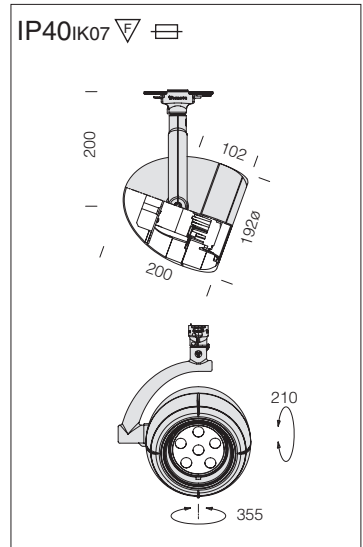
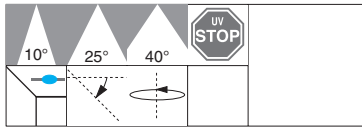
- Maintenance cost reduction
- 10% increase in energy efficiency in contrast with traditional lamps
- Excellent colour rendering (Ra 90)
- Improved light levels (twice as powerful)



Leo 4 - FL				
		CELL-F		Lamps (Ta=25°C)
wattage	colour	weight	code	Kelvin - h - ølm - Ra
CDM-TC Elite 35	white	2,10	22710315-00	3000K - 3500 lm- Ra 90 - 38°
CDM-TC Elite 35	m. silver	2,10	22710375-00	3000K - 3500 lm- Ra 90 - 38°
CDM-TC Elite 70	white	2,10	22710318-00	3000K - 7300 lm- Ra 90 - 38°
CDM-TC Elite 70	m. silver	2,10	22710378-00	3000K - 7300 lm- Ra 90 - 38°

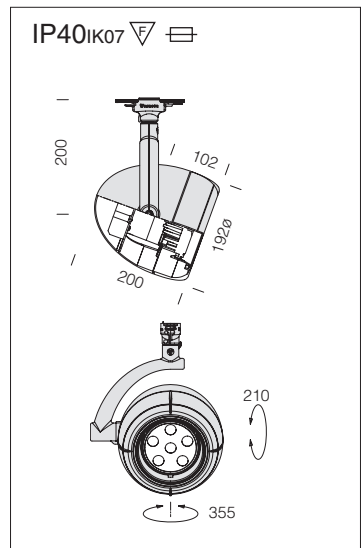
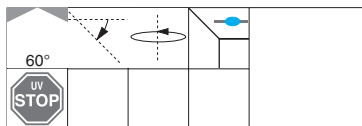
Supplied with electronic gear and lamp.





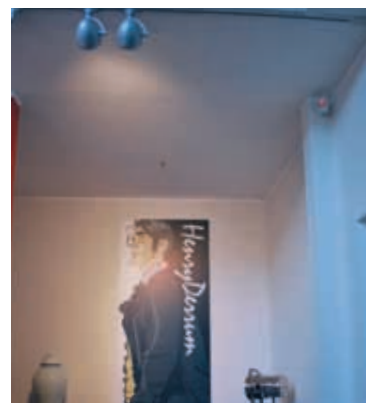
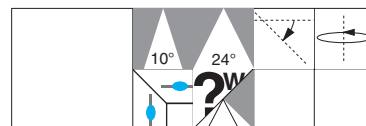
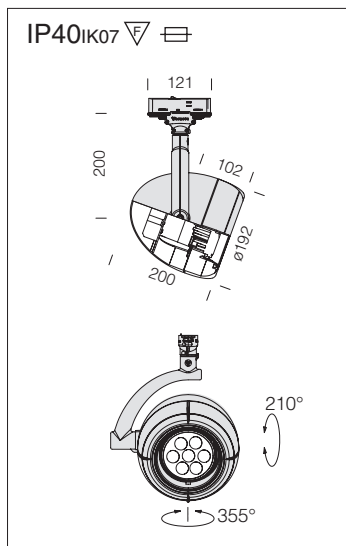
Leo 8 - ESALED					
		CLD CELL-F		LED (Ta=25°C)	
wattage/W 700mA	colour	weight	code	W tot.	K - ølm 700mA - degrees
ESALED	white	2,00	22711215-00	16,8	3000 K - 890lm - 10°
ESALED	s. silver	2,00	22711275-00		
ESALED	white	2,00	22711216-00	16,8	3000 K - 890lm - 25°
ESALED	s. silver	2,00	22711276-00		
ESALED	white	2,00	22711217-00	16,8	3000 K - 890lm - 40°
ESALED	s. silver	2,00	22711277-00		
ESALED	white	2,00	22711210-00	16,8	4000 K - 1020lm - 10°
ESALED	s. silver	2,00	22711270-00		
ESALED	white	2,00	22711211-00	16,8	4000 K - 1020lm - 25°
ESALED	s. silver	2,00	22711271-00		
ESALED	white	2,00	22711212-00	16,8	4000 K - 1020lm - 40°
ESALED	s. silver	2,00	22711272-00		

LED: high efficiency Esaled type, equipped with heat sink, working life: 50,000 hours, Ra 80 index.



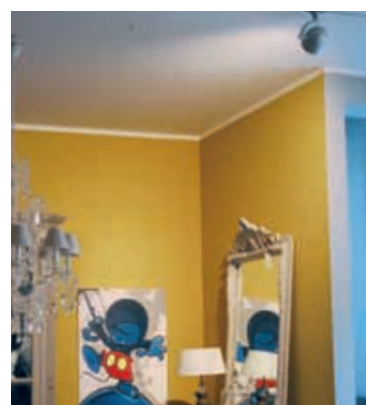
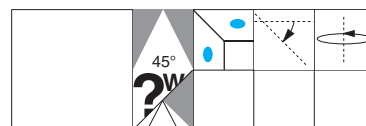
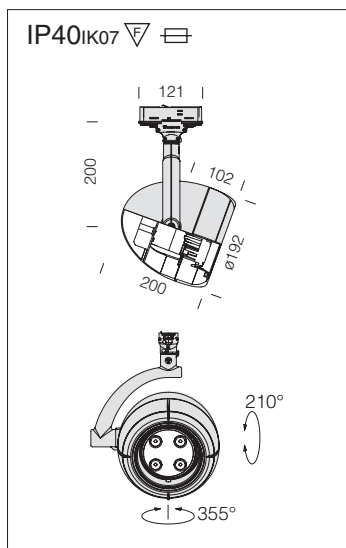
Leo 8 - ESALED 60°					
		CLD CELL-F		LED (Ta=25°C)	
wattage/W 700 mA	colour	weight	code	W tot.	K - ølm 700mA - degrees
ESALED	white	2,00	22711218-00	16,8	3000 K - 890lm - 60°
ESALED	s. silver	2,00	2271127800		
ESALED	white	2,00	22711213-00	16,8	4000 K - 1020lm - 60°
ESALED	s. silver	2,00	22711273-00		

LED: high efficiency Esaled type, equipped with heat sink, working life: 50,000 hours, Ra 80 index.



Supplied with SpotLED111 lamp, composed of 7 LED with total wattage of 12 W and electric and Electrical transformer. The head can be oriented in any direction at 360°. The light of LED is without ultraviolet and infrared components.

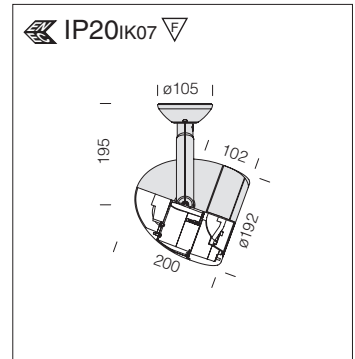
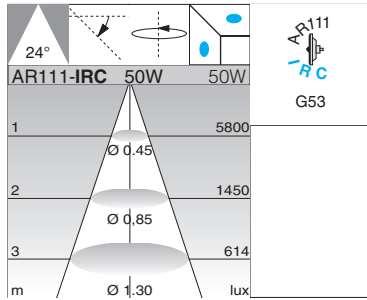
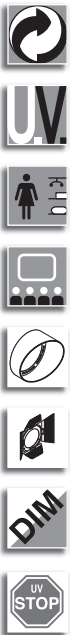
Leo 6 - SPOTLED							
		CLD CELL-F		LED (Ta=25°C)			
wattage (500mA)	colour	weight	code	W tot.	K	ølm 500mA	degrees
SPOTLED111 12W	white	2,00	22710513-00	12	4200	765	24°
SPOTLED111 12W	m. silver	2,00	22710573-00				
SPOTLED111 12W	white	2,00	22710514-00	12	4200	765	10°
SPOTLED111 12W	m. silver	2,00	22710574-00				



The light of the LED has no ultraviolet and infrared components.

Leo 7 - POWER LED RGB FULLCOLOR							
		CLD CELL-F		LED (Ta=25°C)			
wattage/W	colour	weight	code	W tot.	degrees		
LED RGB 4x1W	bianco	1,80	22710614-00	4	45°		
LED RGB 4x1W	arg. met.	1,80	22710674-00	4	45°		

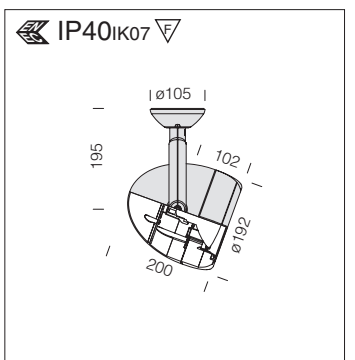
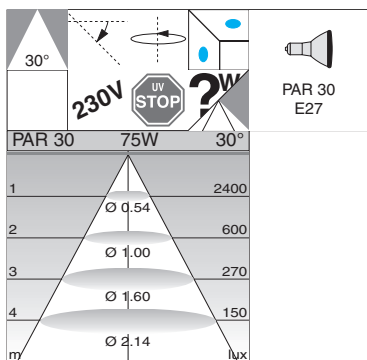
Option to choose a LED light with a beam aperture of 15°. To be purchased separately, code 22090870-00, plus IRE receiver (code 22099020-00)



AR111-IRC power saving lamps provide a luminous efficiency 33% higher than conventional AR111 lamps; therefore: more light, lower consumption.

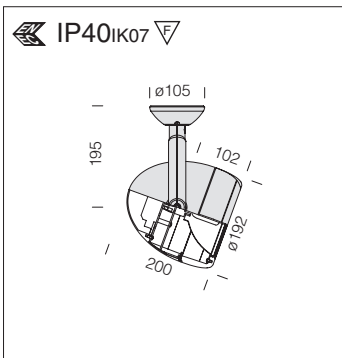
Leo 2				
		CTL		Lamps (Ta=25°C)
wattage	colour	weight	code	Kelvin - h - ølm - Ra
AR111-IRC 50	white	1,80	22810111-00	3000K - 4000h - 5800cd - 24°
AR111-IRC 50	m. silver	1,80	22810171-00	

Supplied with transformer and IRC lamp = energy saving. ES (Energy Saver)

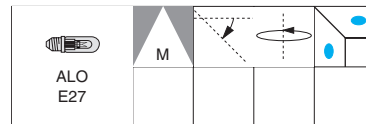


Leo 3				
		S+L		Lamps (Ta=25°C)
wattage	colour	weight	code	Kelvin - h - ølm - Ra
ALO-PAR30 75	white	1,80	22810212-00	2900K - 2000h - Ra 1b - 30°
ALO-PAR30 75	m. silver	1,80	22810272-00	

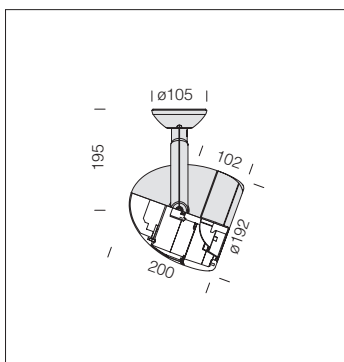
Lamp set with glass reflector for bright light effects.



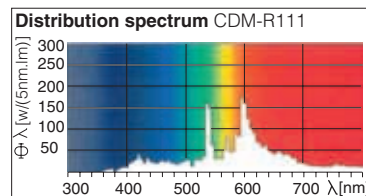
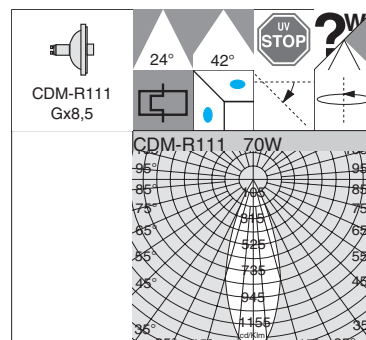
Reflector: high-gloss aluminium.



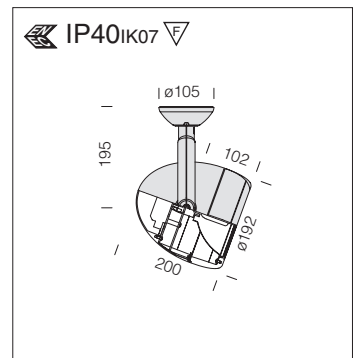
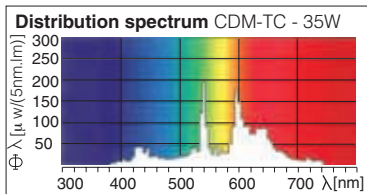
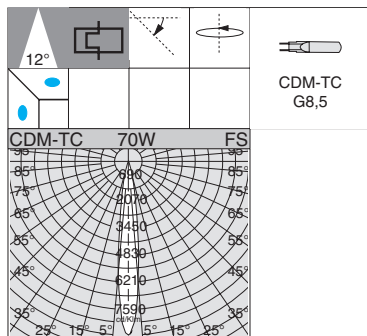
Leo 4				
		S+L		Lamps (Ta=25°C)
wattage	colour	weight	code	Kelvin - h - olm - Ra
ALO 100 ECO	white	1,70	22810311-00	2900K - 1800 lm - Ra 1b
ALO 100 ECO	m. silver	1,70	22810371-00	



Supplied with electronic gear and lamp. CDM-R lamps are designed for decorative illumination and expositions. The energy consumption and heat production are reduced by at least 66%. Lamps life is up to 4 times more than using a halogen lamp (11000h average life).



Leo 5				
		CELL		Lamps (Ta=25°C)
wattage	colour	weight	code	Kelvin - h - olm - Ra
CDM-R111 35	white	2,00	22810411-00	3000K - 1350lm - Ra 1b - 24°
CDM-R111 35	m. silver	2,00	22810471-00	
CDM-R111 70	white	2,00	22810412-00	3000K - 2850lm - Ra 1b - 42°
CDM-R111 70	m. silver	2,00	22810472-00	

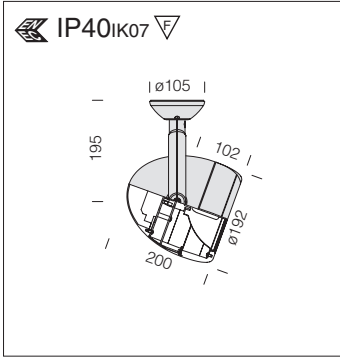


Reflector: in oxidized and faceted aluminium
Diffuser: protection clear tempered glass.

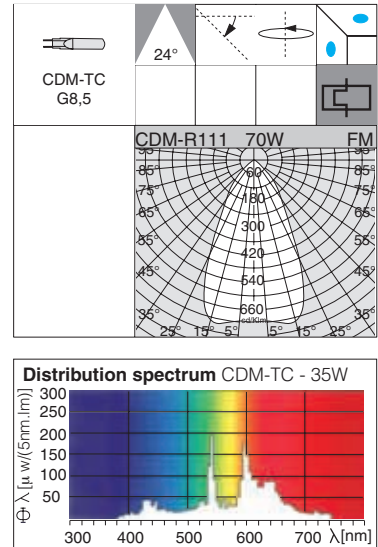
CDM Elite Lamps: suitable for shopping centres, ideal for enhancing the goods displayed.
 - Maintenance cost reduction
 - 10% increase in energy efficiency in contrast with traditional lamps
 - Excellent colour rendering (Ra 90)
 - Improved light levels (twice as powerful)

Leo 4 - FS				
		CELL		Lamps (Ta=25°C)
wattage	colour	weight	code	Kelvin - h - ølm - Ra
CDM-TC Elite 35	white	2,20	22810313-00	3000K - 3500 lm - Ra 90 - 12°
CDM-TC Elite 35	m. silver	2,20	22810373-00	3000K - 3500 lm - Ra 90 - 12°
CDM-TC Elite 70	white	2,20	22810316-00	3000K - 7300 lm - Ra 90 - 12°
CDM-TC Elite 70	m. silver	2,20	22810376-00	3000K - 7300 lm - Ra 90 - 12°

Supplied with electronic gear and lamp.

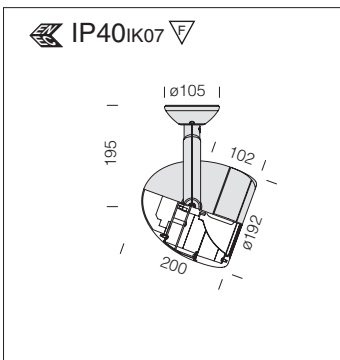


Reflector: in oxidized aluminium with semi-spherical facets.
Diffuser: protection clear tempered glass.
CDM Elite Lamps: suitable for shopping centres, ideal for enhancing the goods displayed.
 - Maintenance cost reduction
 - 10% increase in energy efficiency in contrast with traditional lamps
 - Excellent colour rendering (Ra 90)
 - Improved light levels (twice as powerful)

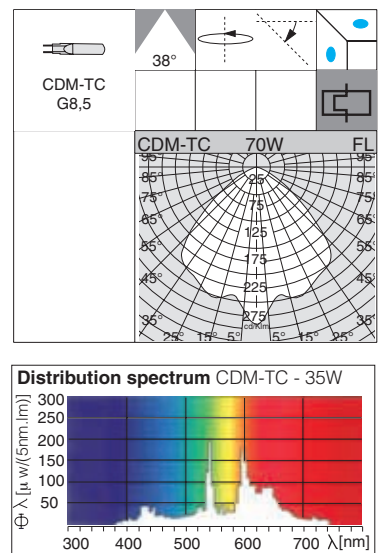


Leo 4 - FM					
		CELL		Lamps (Ta=25°C)	
wattage	colour	weight	code	Kelvin - h - ølm - Ra	
CDM-TC Elite 35	white	2,20	22810314-00	FM - 3000K - 3500 lm - Ra 90 - 24°	
CDM-TC Elite 35	m. silver	2,20	22810374-00	FM - 3000K - 3500 lm - Ra 90 - 24°	
CDM-TC Elite 70	white	2,20	22810317-00	FM - 3000K - 7300 lm - Ra 90 - 24°	
CDM-TC Elite 70	m. silver	2,20	22810377-00	FM - 3000K - 7300 lm - Ra 90 - 24°	

Supplied with electronic gear and lamp.



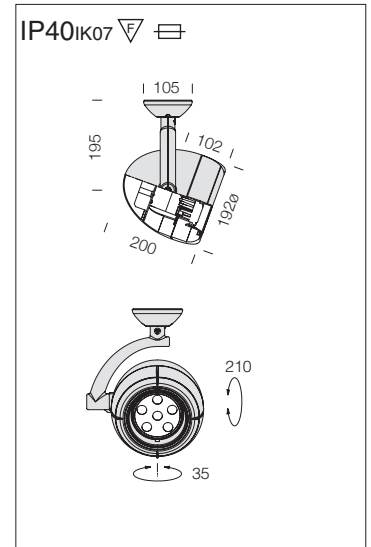
Reflector: in oxidized and faceted matt aluminium
Diffuser: protection clear tempered glass.
CDM Elite Lamps: suitable for shopping centres, ideal for enhancing the goods displayed.
 - Maintenance cost reduction
 - 10% increase in energy efficiency in contrast with traditional lamps
 - Excellent colour rendering (Ra 90)
 - Improved light levels (twice as powerful)



Leo 4 - FL					
		CELL		Lamps (Ta=25°C)	
wattage	colour	weight	code	Kelvin - h - ølm - Ra	
CDM-TC Elite 35	white	2,20	22810315-00	3000K - 3500 lm - Ra 90 - 38°	
CDM-TC Elite 35	m. silver	2,20	22810375-00	3000K - 3500 lm - Ra 90 - 38°	
CDM-TC Elite 70	white	2,20	22810318-00	3000K - 7300 lm - Ra 90 - 38°	
CDM-TC Elite 70	m. silver	2,20	22810378-00	3000K - 7300 lm - Ra 90 - 38°	

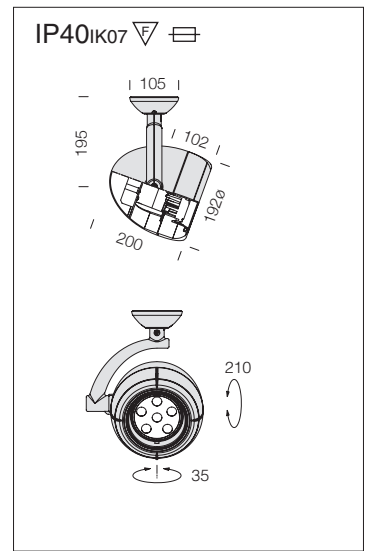
Supplied with electronic gear and lamp.





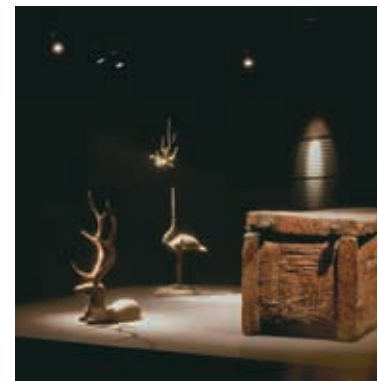
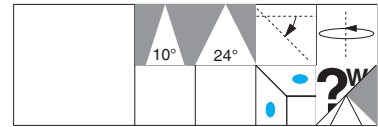
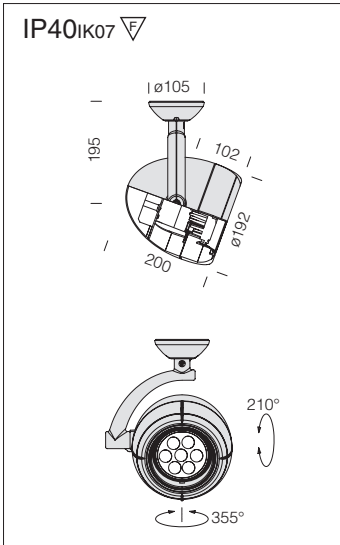
Leo 8 - ESALED base version					
wattage/W 700mA	colour	CLD CELL		W tot.	LED (Ta=25°C)
		weight	code		K - ølm 700mA - degrees
ESALED	white	2,00	22811215-00	16,8	3000 K - 890lm - 10°
ESALED	s. silver	2,00	22811275-00		
ESALED	white	2,00	22811216-00	16,8	3000 K - 890lm - 25°
ESALED	s. silver	2,00	22811276-00		
ESALED	white	2,00	22811217-00	16,8	3000 K - 890lm - 40°
ESALED	s. silver	2,00	22811277-00		
ESALED	white	2,00	22811210-00	16,8	4000 K - 1020lm - 10°
ESALED	s. silver	2,00	22811270-00		
ESALED	white	2,00	22811211-00	16,8	4000 K - 1020lm - 25°
ESALED	s. silver	2,00	22811271-00		
ESALED	white	2,00	22811212-00	16,8	4000 K - 1020lm - 40°
ESALED	s. silver	2,00	22811272-00		

Equipped with high efficiency Esaled lamps. LED lights have no ultraviolet and infrared components.



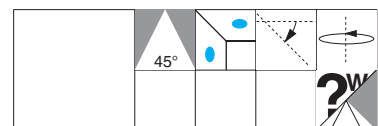
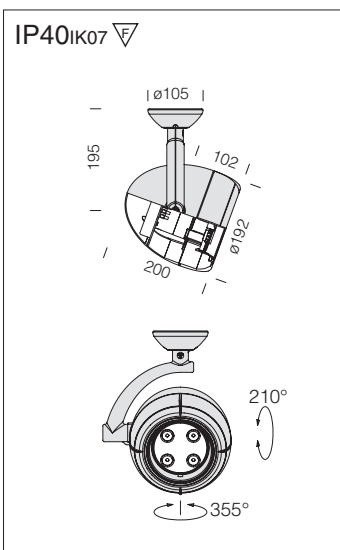
Leo 8 - ESALED 60° base version					
wattage/W 700 mA	colour	CLD CELL		W tot.	LED (Ta=25°C)
		weight	code		K - ølm 700mA - degrees
ESALED	white	2,00	22811218-00	16,8	3000 K - 890lm - 60°
ESALED	s. silver	2,00	22811278-00		
ESALED	white	2,00	22811213-00	16,8	4000 K - 1020lm - 60°
ESALED	s. silver	2,00	22811273-00		

Equipped with high efficiency Esaled lamps. LED lights have no ultraviolet and infrared components.



Equipped with SpotLED111 lamp, 7 LED lights, 12W, and Electrical transducer. The head has a 360° rotation. The LED lights do not come with ultraviolet and infrared components.

Leo 6 - SPOTLED							
		CLD CELL			LED (Ta=25°C)		
wattage (500mA)	colour	weight	code	W tot.	K	ølm 500mA	degrees
SPOTLED111 12W	white	2,00	22810513-00	12	4200	760	24°
SPOTLED111 12W	m. silver	2,00	22810573-00				
SPOTLED111 12W	white	2,00	22810514-00	12	4200	760	10°
SPOTLED111 12W	m. silver	2,00	22810574-00				

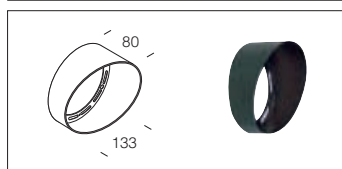


The light of the LED has no ultraviolet and infrared components.

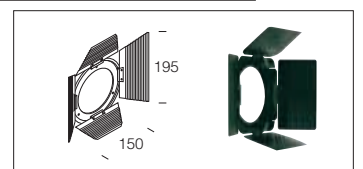
Leo 7 - POWER LED RGB FULLCOLOR							
		CLD CELL			LED (Ta=25°C)		
wattage	colour	weight	code	W tot.	K	ølm 500mA	degrees
LED RGB 5x1W	white	1,8	22810614-00	4			45°
LED RGB 5x1W	m. silver	1,8	22810674-00				45°

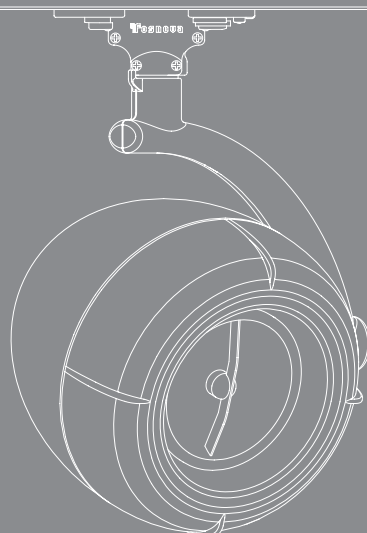
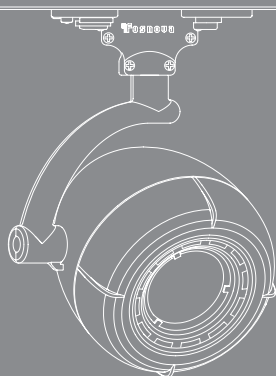
It's possible to chose LED with 15° beam angle. Cod. 22090870-00 and The IRE remote control (cod. 22099020-00) purchased separately.

Conveyor	
black	22005864-00
For CDM-TC e AR111 lamp version.	



Anti-glare shutter	
black	22005865-00
For CDM-TC e AR111 lamp version.	







Housing: Die-cast aluminium with accessible frame designed with bayonet coupling to allow easy lamp maintenance.

Coating: Acrylic resin based UV resistant powder paint.

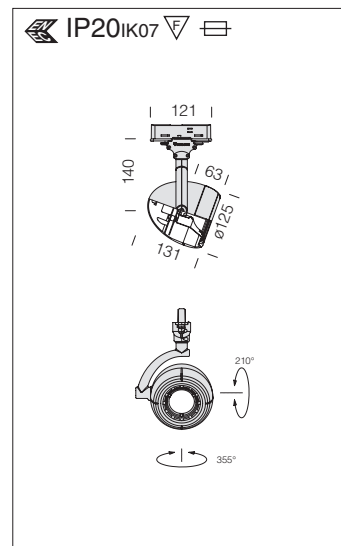
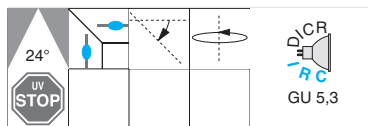
Lampholder: Ceramic and with silver-plated contacts.

Electronic gear: 230-240V/50-60Hz power supply with electronic ballast or 12 V transformer. Silicon insulated wire with glass fibre braid, cross-section 1.0 mm².

Equipment: supplied complete with adjustable bracket (on vertical axis with 355° rotation) in die-cast aluminium providing internal passage for wires.

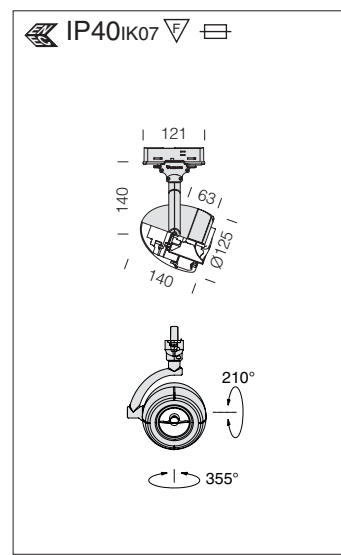
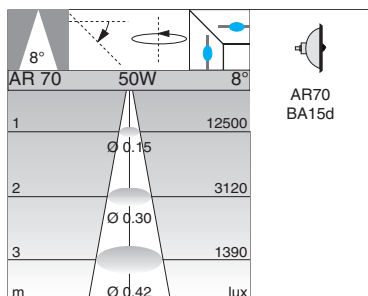
Standards: Products comply with EN 60598-1-CEI 34.21 standards, with level of protection in accordance with EN 60529 standards.



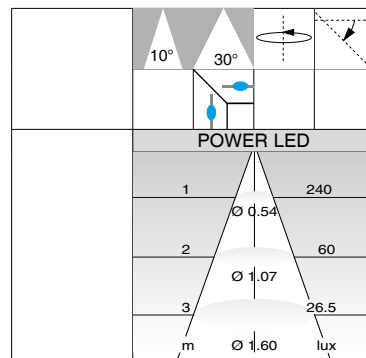
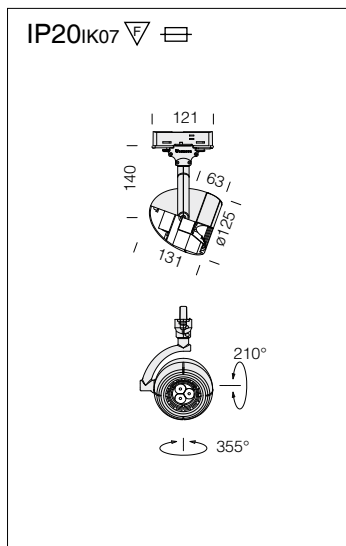


Mini Leo 1				
		CTL-F		Lamps (Ta=25°C)
wattage	colour	weight	code	Kelvin - h - cd - Ra
DICR-IRC 35	m. silver	0,90	22710770-00	3000K - 5000h - 4400cd - 24°
DICR-IRC 35	white	0,90	22710710-00	

DICR-IRC power saving lamps provide a luminous efficiency 30% higher than conventional DICR lamps; therefore: more light, lower consumption (ES - energy saver). Energy saving: LONG LIFE



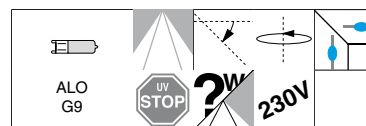
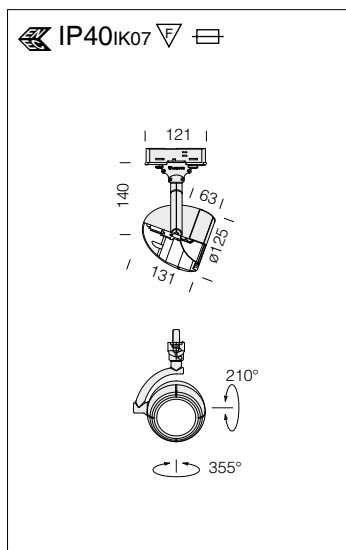
Mini Leo 2				
		CTL-F		Lamps (Ta=25°C)
wattage	colour	weight	code	Kelvin - h - cd - Ra
AR70 50	m. silver	1,10	22710871-00	3000K - 3000h - 12500cd - 8°
AR70 50	white	1,10	22710811-00	



Supplied with a module of 3 LED of 1,2W per each. Energy efficient lights, made to remain on all night.

		CLD CELL-F		LED (Ta=25°C)			
wattage (350mA)	colour	weight	code	W tot.	Kelvin	ølm	degrees
LED white 3x1,2W	m. silver	0,90	22710972-00	3,5	3000K	242lm	10°
LED white 3x1,2W	m. silver	0,90	22710973-00	3,5	6000K	321lm	10°
LED blue 3x1,2W	m. silver	0,90	22710972-71	3,5		48lm	30°

		CLD CELL-F		LED (Ta=25°C)			
wattage (700mA)	colour	weight	code	W tot.	Kelvin	ølm (700mA)	degrees
LED white 3x3W	m. silver	0,90	22710974-00	9	3000K	411lm	10°
LED white 3x3W	m. silver	0,90	22710976-00	9	6000K	546lm	10°



Reflector: high-gloss aluminium.

		S+L-F		Lamps (Ta=25°C)	
wattage	colour	weight	code	Kelvin - h - ølm - Ra	
ALO 60	m. silver	0,90	22711073-00	FS - 2900K - 2000h - 980 lm - Ra 1b	
ALO 60	m. silver	0,90	22711074-00	FM - 2900K - 2000h - 980 lm - Ra 1b	
ALO 60	m. silver	0,90	22711075-00	FL - 2900K - 2000h - 980 lm - Ra 1b	
ALO 60	m. silver	0,90	22711076-00	FXL - 2900K - 2000h - 980 lm - Ra 1b	
ALO 60	white	0,90	22711013-00	FS - 2900K - 2000h - 980 lm - Ra 1b	
ALO 60	white	0,90	22711014-00	FM - 2900K - 2000h - 980 lm - Ra 1b	
ALO 60	white	0,90	22711015-00	FL - 2900K - 2000h - 980 lm - Ra 1b	
ALO 60	white	0,90	22711016-00	FXL - 2900K - 2000h - 980 lm - Ra 1b	

25°
UV STOP
?W
230V

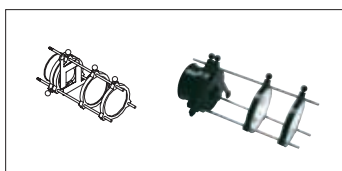
ALO GU10

ALO	50W	25°
1	Ø 0,44	1158
2	Ø 1,89	290
3	Ø 1,33	129
4	Ø 1,77	72
...		...

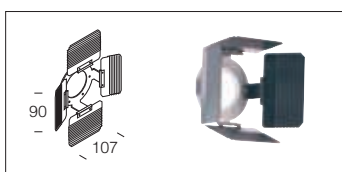


IP20 IK07

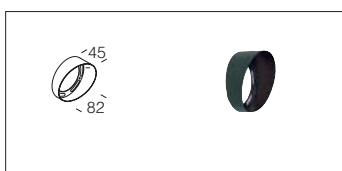
Mini Leo 5 - 230v				
		S+L-F		Lamps (Ta=25°C)
wattage	colour	weight	code	Kelvin - h - cd - Ra
ALO 50	m. silver	0,90	22711174-00	2900K - 4000h - 950 cd - Ra 1b - 25°
ALO 50	white	0,90	22711114-00	



Shaper	
black	22005227-00
For DICR 10° lamp version.	



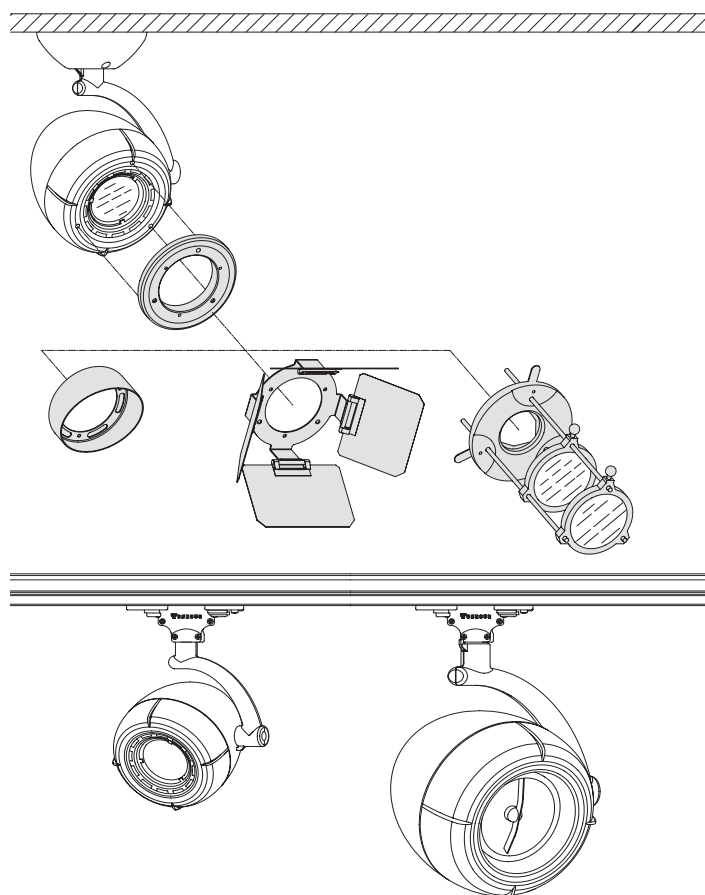
Anti-glare shutter	
black	22005228-00
In steel. For beam orientation.	

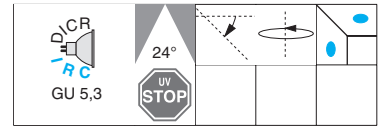
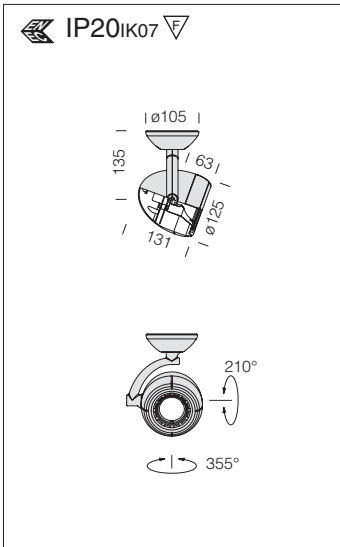


Conveyor Ø mm 82	
black	22005232-00
To convey the beam in one direction. For DICR, ALO.	



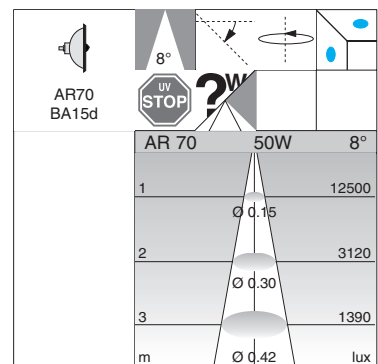
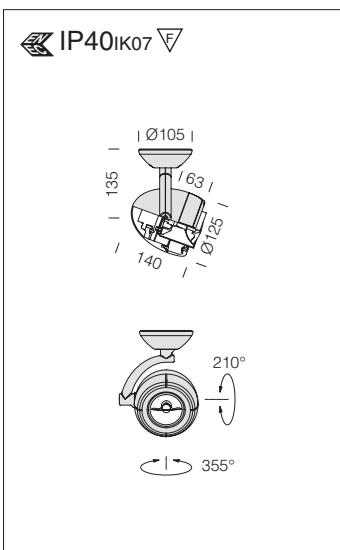
Ring	
black	22005836-00
Always use in installation of accessories for Mini Leo.	





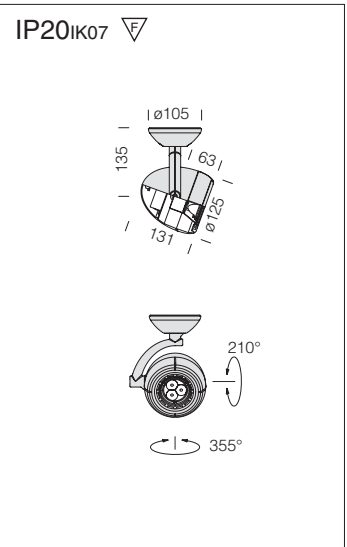
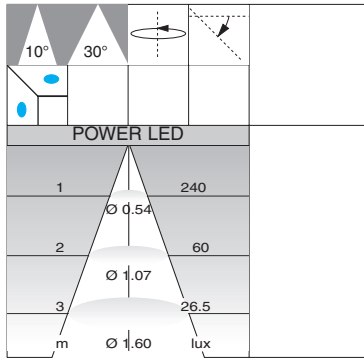
DICR-IRC power saving lamps provide a luminous efficiency 30% higher than conventional DICR lamps; therefore: more light, lower consumption ("ES" energy saver).

Mini Leo 1				
		CTL		Lamps (Ta=25°C)
wattage	colour	weight	code	Kelvin - h - cd
DICR-IRC 35	m. silver	1,00	22810770-00	3000K - 5000h - 4400cd - 24°
DICR-IRC 35	white	1,00	22810710-00	



Ideal for anti-glare pinpoint light sources.

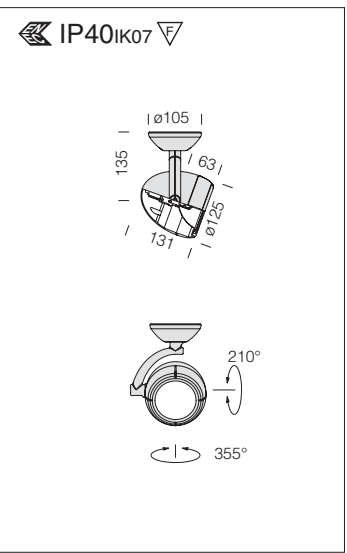
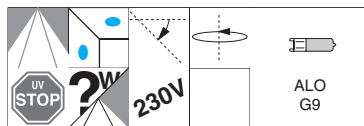
Mini Leo 2				
		CTL		Lamps (Ta=25°C)
wattage	colour	weight	code	Kelvin - h - cd
AR70 50	m. silver	1,20	22810871-00	3000K - 3000h - 12500cd - 8°
AR70 50	white	1,20	22810811-00	



		Mini Leo 3 - POWER LED					
		CLD CELL		LED (Ta=25°C)			
wattage	colour	weight	code	W tot.	K	ølm	degrees
LED white 3x1,2W	m. silver	0,90	22810972-00	3,5	3000	242lm	10°
LED white 3x1,2W	m. silver	0,90	22810973-00	3,5	6000	321lm	10°
LED blue 3x1,2W	m. silver	0,90	22810972-71	3,5		48lm	30°

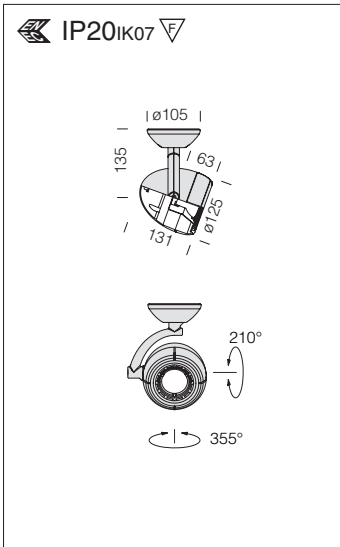
Supplied with a module of 3 LED of 1,2W per each. Energy efficient lights, made to remain on all night.

		Mini Leo 3 - POWER LED					
		CLD CELL		LED (Ta=25°C)			
wattage (350mA)	colour	weight	code	W tot.	Kelvin	ølm	degrées
LED white 3x3W	m. silver	0,90	22810974-00	9	3000K	242lm	10°
LED white 3x3W	m. silver	0,90	22810976-00	9	6000K	321lm	10°



		Mini Leo 4 - 230V					
		S+L		Lamps (Ta=25°C)			
wattage	colour	weight	code	Kelvin - h - ølm - Ra			
ALO 60	m. silver	0,90	22811073-00	FS - 2900K - 2000h - 980 lm - Ra 1b			
ALO 60	m. silver	0,90	22811074-00	FM - 2900K - 2000h - 980 lm - Ra 1b			
ALO 60	m. silver	0,90	22811075-00	FL - 2900K - 2000h - 980 lm - Ra 1b			
ALO 60	m. silver	0,90	22811076-00	FXL - 2900K - 2000h - 980 lm - Ra 1b			
ALO 60	white	0,90	22811013-00	FS - 2900K - 2000h - 980 lm - Ra 1b			
ALO 60	white	0,90	22811014-00	FM - 2900K - 2000h - 980 lm - Ra 1b			
ALO 60	white	0,90	22811015-00	FL - 2900K - 2000h - 980 lm - Ra 1b			
ALO 60	white	0,90	22811016-00	FXL - 2900K - 2000h - 980 lm - Ra 1b			

Reflector: high-gloss aluminium.



ALO GU10

25°

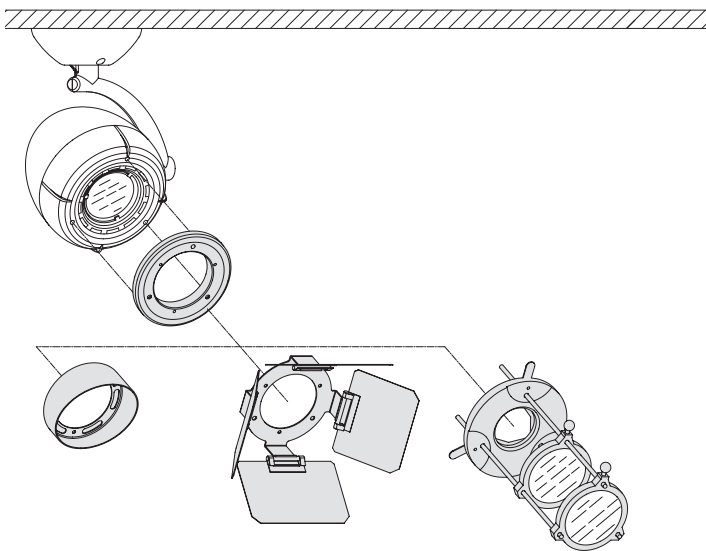
uv STOP

230V

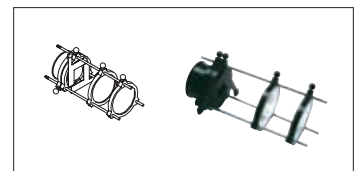
	ALO	50W	25°
1			1158
2		Ø 0,44	290
3		Ø 1,89	129
4		Ø 1,33	72
m		Ø 1,77	lux

Icons: Recycle, UV, Person, TV, DIM

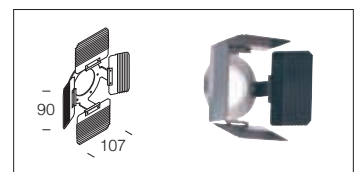
Mini Leo 5 - 230V					
		S+L		Lamps (Ta=25°C)	
wattage	colour	weight	code	Kelvin - h - ølm - Ra	
ALO 50	m. silver	0,90	22811174-00	2900K - 4000h - 950 lm - Ra 1b - 25°	
ALO 50	white	0,90	22811114-00		



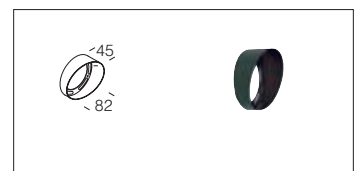
Shaper	
black	22005227-00
For DICR 10° lamp version.	



Anti-glare shutter	
black	22005228-00
In steel. For beam orientation.	



Conveyor Ø mm 82	
black	22005232-00
To convey the beam in one direction. For DICR, ALO.	



Ring	
black	22005836-00
Always use in installation of accessories for Mini Leo.	

