

**LED:** supplied with 7W MASTERLED, mains voltage operation 220/240V 50-60Hz.

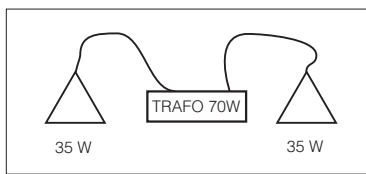
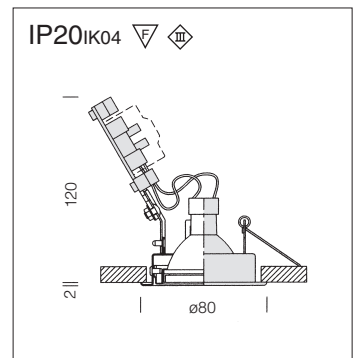
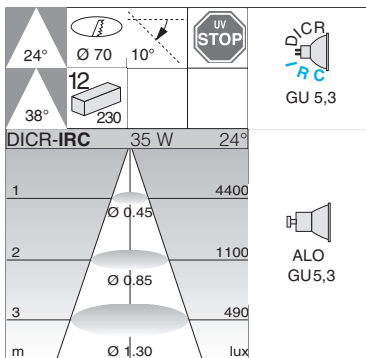
Janus MASTERLED - 230V fig. 1				
		CLD CELL		LED (Ta=25°C)
wattage 230V	colour	peso	codice	Kelvin - cd - beam
MASTERLED white 7W	white	0,20	22062110-00	3000K - 230cd - 40°
MASTERLED white 7W	m. silver	0,20	22062170-00	3000K - 230cd - 40°

**MASTERLED 7W**



Janus LED 230V fig. 2				
		CLD CELL		Lamps (Ta=25°C)
wattage	colour	weight	code	Kelvin - ølm - Ra
LED white 1,5W	white	0,20	22063210-00	3000K - 51 lm - 30°
LED white 1,5W	black	0,20	22063231-00	
LED white 1,5W	m. silver	0,20	22063275-00	
LED white 1,5W	chrome	0,20	22063262-00	
LED white 1,5W	pol. brass	0,20	22063293-00	

	W	l max	duration
ALU 35W	35-40°	250cd	2000h
MasterLED	7-40°	230cd	45000h

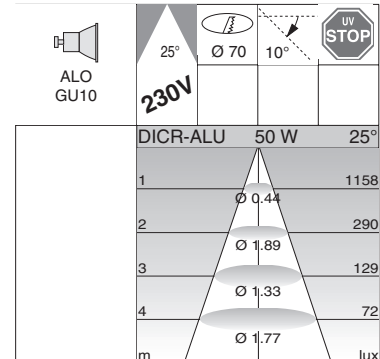
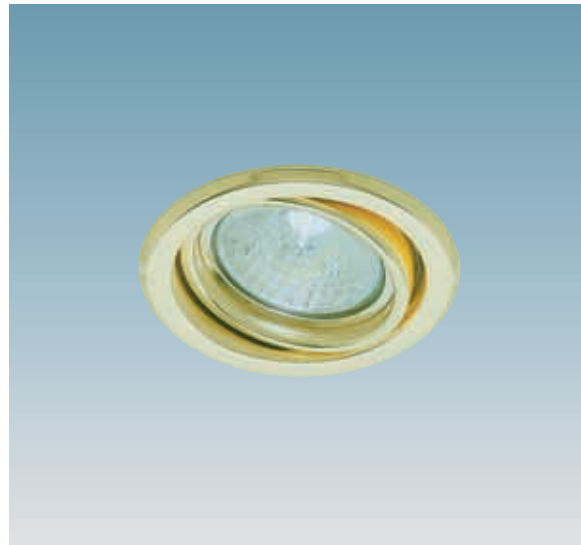
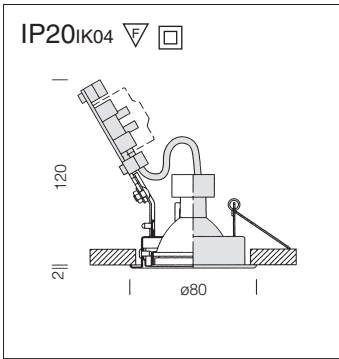


Janus DICR-IRC				
		S+L		Lamps (Ta=25°C)
wattage	colour	weight	code	Kelvin - ølm - Ra
DICR-IRC 35	white	0,20	22062316-00	3000K - 5000h - 4400cd - 24°
DICR-IRC 35	black	0,20	22062339-00	
DICR-IRC 35	m. silver	0,20	22062378-00	
DICR-IRC 35	chrome	0,20	22062367-00	
DICR-IRC 35	pol. brass	0,20	22062396-00	

Supplied with lamp without transformer. Use one 70W transformer code 22090818-00 for 2 spotlights. Longer duration.

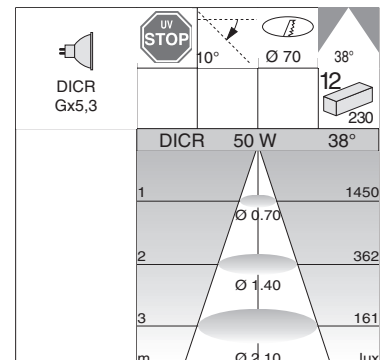
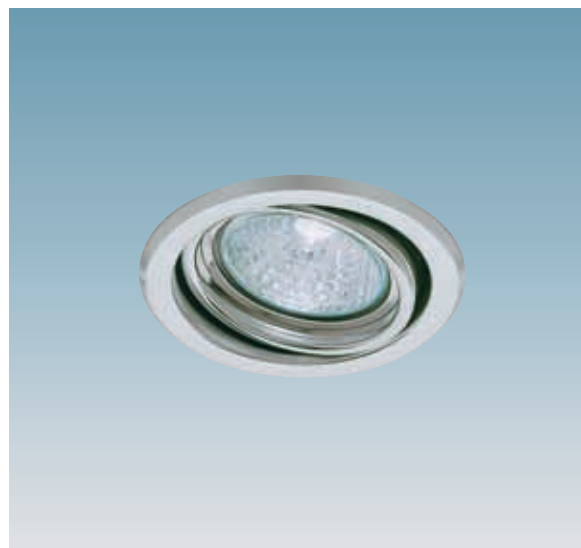
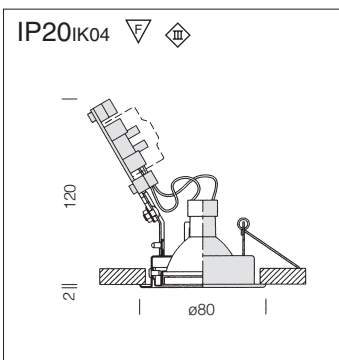
Janus 12 Volt with lamp ALU				
				Lamps (Ta=25°C)
wattage	colour	weight	code	Kelvin - ølm - Ra
ALU 50	white	0,20	22062218-00	3000K - 3000h - 1800cd - 38°
ALU 50	black	0,20	22062238-00	
ALU 50	m. silver	0,20	22062278-00	
ALU 50	chrome	0,20	22062268-00	
ALU 50	pol. brass	0,20	22062298-00	

With lamp ILCOS HAG/LP 50 - GU5,3 - 51/38-10.



Janus 230V with lamp				
		S+L		Lamps (Ta=25°C)
wattage	colour	weight	code	Kelvin - ølm - Ra
ALO 50	white	0,20	22062318-00	2900K - 2000h - 950lm - 25°
ALO 50	black	0,20	22062338-00	
ALO 50	m. silver	0,20	22062379-00	
ALO 50	chrome	0,20	22062368-00	
ALO 50	pol. brass	0,20	22062397-00	

Complete with 230V lamps, mains voltage operation

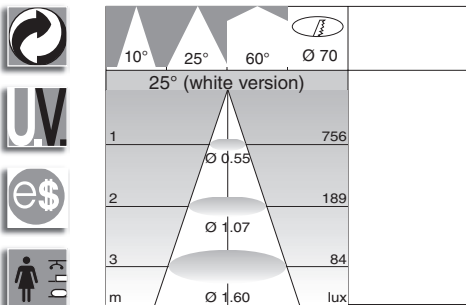


Complete with lamp+glass, without transformer. Packed in single bags, in boxes containing 10 units.

Janus 12 Volt with lamp + glass				
		S+L		Lamps (Ta=25°C)
wattage	colour	weight	code	Kelvin - ølm - Ra
DICR 50	white	0,20	22062118-00	3000K - 2000h - 2850cd - 38°
DICR 50	black	0,20	22062138-00	
DICR 50	m. silver	0,20	22062178-00	
DICR 50	chrome	0,20	22062168-00	
DICR 50	pol. brass	0,20	22062198-00	

Complete with lamp+glass and dimmable transformer.

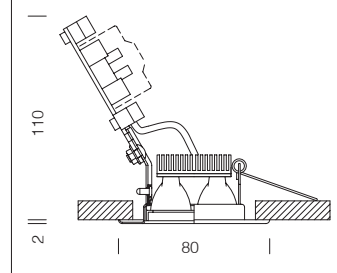
Janus 12 Volt with lamp + glass + DIMM transformer				
		S+L+T		Lamps (Ta=25°C)
wattage	colour	weight	code	Kelvin - ølm - Ra
DICR 50	white	0,20	22062117-00	3000K - 2000h - 2850cd - 38°
DICR 50	m. silver	0,20	22062177-00	



**Power led with triple monochrome lens:** circular LED module with integrated lens. Use is recommended for decorative architectural lighting, accent lighting in stores and shop windows, etc., outdoor and indoor directional lights (corridors, hallways, façades, etc.).



v.a. IP20IK04  
v.l. IP43IK04



Working temperature,  $-30^{\circ}\text{C}$  to  $50^{\circ}\text{C}$ . A POWERLED has a working life of approximately 50,000 hours (350 mA) with its maximum temperature allowed. Use in even better conditions will extend its working life.

#### Janus Power LED 3000 K

wattage/W (350mA)	colour	CLD S+L		LED (Ta=25°C)		CLD S+L		LED (Ta=25°C)		W tot.	K	LED (Ta=25°C)	
		weight	code	degrees	code	degrees	code	degrees	ø1m 350mA			ø1m 500mA	
LED white 3x1,2W	white	0,20	22066010-00	10°	22066011-00	25°	22066012-00	60°	3,5	3000	231	335	
LED white 3x1,2W	black	0,20	22066030-00	10°	22066031-00	25°	22066032-00	60°	3,5	3000	231	335	
LED white 3x1,2W	chrome	0,20	22066060-00	10°	22066061-00	25°	22066062-00	60°	3,5	3000	231	335	
LED white 3x1,2W	m. silver	0,20	22066070-00	10°	22066071-00	25°	22066072-00	60°	3,5	3000	231	335	
LED white 3x1,2W	brass	0,20	22066090-00	10°	22066091-00	25°	22066092-00	60°	3,5	3000	231	335	

#### Janus Power LED 4000 K

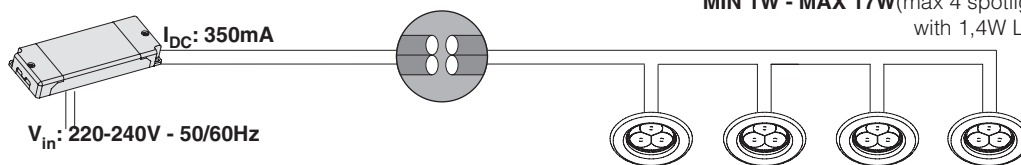
wattage/W (350mA)	colour	CLD S+L		LED (Ta=25°C)		CLD S+L		LED (Ta=25°C)		W tot.	K	LED (Ta=25°C)	
		weight	code	degrees	code	degrees	code	degrees	ø1m 350mA			ø1m 500mA	
LED white 3x1,2W	white	0,20	22066013-00	10°	22062115-00	25°	22066014-00	60°	3,5	4000	300	435	
LED white 3x1,2W	black	0,20	22066033-00	10°	22062132-00	25°	22066034-00	60°	3,5	4000	300	435	
LED white 3x1,2W	chrome	0,20	22066063-00	10°	22062165-00	25°	22066064-00	60°	3,5	4000	300	435	
LED white 3x1,2W	m. silver	0,20	22066073-00	10°	22062173-00	25°	22066074-00	60°	3,5	4000	300	435	
LED white 3x1,2W	brass	0,20	22066093-00	10°	22062196-00	25°	22066094-00	60°	3,5	4000	300	435	

#### Janus Power LED 6000 K

wattage/W (350mA)	colour	CLD S+L		LED (Ta=25°C)		CLD S+L		LED (Ta=25°C)		W tot.	K	LED (Ta=25°C)	
		weight	code	degrees	code	degrees	code	degrees	ø1m 350mA			ø1m 500mA	
LED white 3x1,2W	white	0,20	22066015-00	10°	22066016-00	25°	22066017-00	60°	3,5	6000	321	466	
LED white 3x1,2W	black	0,20	22066035-00	10°	22066036-00	25°	22066037-00	60°	3,5	6000	321	466	
LED white 3x1,2W	chrome	0,20	22066065-00	10°	22066066-00	25°	22066067-00	60°	3,5	6000	321	466	
LED white 3x1,2W	m. silver	0,20	22066075-00	10°	22066076-00	25°	22066077-00	60°	3,5	6000	321	466	
LED white 3x1,2W	brass	0,20	22066095-00	10°	22066096-00	25°	22066097-00	60°	3,5	6000	321	466	

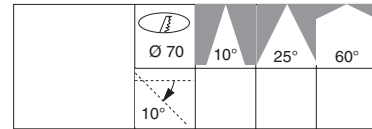
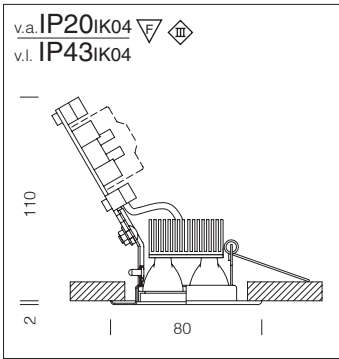
#### POWER LED CONNECTIONS

To power POWER LED white 3x1,2W - 350mA in series (max 4 spotlights) utilize LED power supply code 22090837-00.  
To power POWER LED white 3x2W - 500mA in series (max 2 spotlights) utilize LED power supply code 22090890-00.



**N.B:** Observe the connection in series  
**MIN 1W - MAX 17W**(max 4 spotlights with 1,4W LED)

CODE	VOLTAGE	CURRENT I <sub>DC</sub>	n. min. no. spotlights	max no. spotlights	W
22090837-00	220-240V 50/60Hz	350mA	1	4	17
22090837-12	<b>DIMMABLE 1-10V</b>	350mA	1	4	15
22090890-00	220-240V 50/60Hz 6-26V	500mA	1	2	16,8



**Janus Power LED 3000 K**

wattage/W (700mA)	colour	weight	CLD S+L		LED (Ta=25°C)		CLD S+L		LED (Ta=25°C)		W tot.	K	ølm 700mA
			code	degrees	code	degrees	code	degrees					
LED bia 3x3W	white	0,20	22062010-00	10°	22062111-00	25°	22062011-00	60°	9	3000	411		
LED bia 3x3W	black	0,20	22062030-00	10°	22062134-00	25°	22062031-00	60°	9	3000	411		
LED bia 3x3W	chrome	0,20	22062060-00	10°	22062167-00	25°	22062061-00	60°	9	3000	411		
LED bia 3x3W	m. silver	0,20	22062070-00	10°	22062172-00	25°	22062071-00	60°	9	3000	411		
LED bia 3x3W	brass	0,20	22062090-00	10°	22062193-00	25°	22062091-00	60°	9	3000	411		

**Janus Power LED 4000 K**

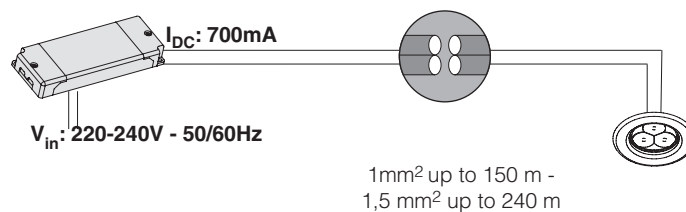
wattage/W (700mA)	colour	weight	CLD S+L		LED (Ta=25°C)		CLD S+L		LED (Ta=25°C)		W tot.	K	ølm 700mA
			code	degrees	code	degrees	code	degrees					
LED bia 3x3W	white	0,20	22062012-00	10°	22062017-00	25°	22062013-00	60°	9	4000	479		
LED bia 3x3W	black	0,20	22062032-00	10°	22062037-00	25°	22062033-00	60°	9	4000	479		
LED bia 3x3W	chrome	0,20	22062062-00	10°	22062067-00	25°	22062063-00	60°	9	4000	479		
LED bia 3x3W	m. silver	0,20	22062072-00	10°	22062077-00	25°	22062073-00	60°	9	4000	479		
LED bia 3x3W	brass	0,20	22062092-00	10°	22062097-00	25°	22062093-00	60°	9	4000	479		

**Janus Power LED 6000 K**

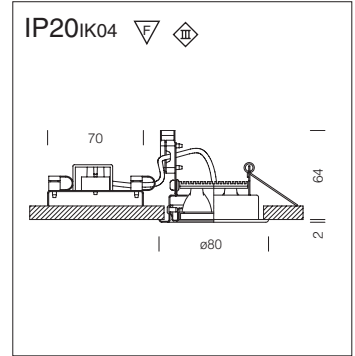
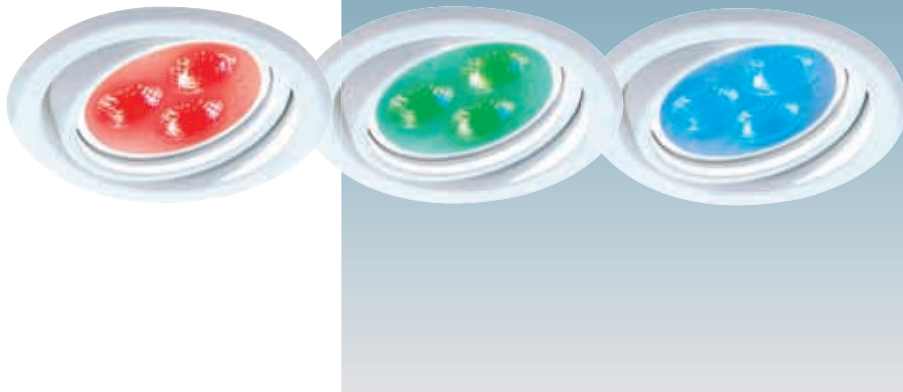
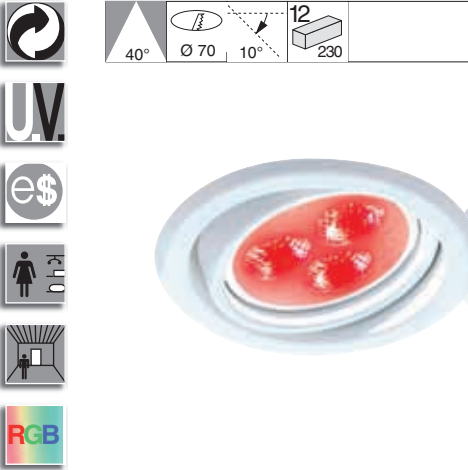
wattage/W (700mA)	colour	weight	CLD S+L		LED (Ta=25°C)		CLD S+L		LED (Ta=25°C)		W tot.	K	ølm 700mA
			code	degrees	code	degrees	code	degrees					
LED bia 3x3W	white	0,20	22062014-00	10°	22062016-00	25°	22062015-00	60°	9	6000	546		
LED bia 3x3W	black	0,20	22062034-00	10°	22062036-00	25°	22062035-00	60°	9	6000	546		
LED bia 3x3W	chrome	0,20	22062064-00	10°	22062066-00	25°	22062065-00	60°	9	6000	546		
LED bia 3x3W	m. silver	0,20	22062074-00	10°	22062076-00	25°	22062075-00	60°	9	6000	546		
LED bia 3x3W	brass	0,20	22062094-00	10°	22062096-00	25°	22062095-00	60°	9	6000	546		

**POWER LED CONNECTIONS**

Use spotlights 3x3W with code 22090835-00 (1 per spotlight).



CODE	VOLTAGE	CURRENT I <sub>DC</sub>	n. min. no. spotlights	max no. spotlights	W
22090835-00	220-240V 50/60Hz	700mA	1	1	9
22090834-00	<b>DIMMABLE 1-10V</b>	700mA	1	2	18



**Power led triple lens RGB:**  
 Round LED module consisting of led lights with in-built lens. The purity of the light emitted is the main feature of these led lights; particularly suitable for detail-enhancing and decorative lighting and for the creation of luminous colour effects.

Janus FULLCOLOR Power LED RGB					
		CLD S+L			LED (Ta=25°C)
wattage (350mA)	colour	weight	code	W tot.	olm 350mA
LED RGB 3x4W	white	0,20	22062116-00	12	R 84 - G 144 - B 36 - 40°
LED RGB 3x4W	black	0,20	22062133-00	12	
LED RGB 3x4W	m. silver	0,20	22062174-00	12	
LED RGB 3x4W	chrome	0,20	22062166-00	12	
LED RGB 3x4W	pol. brass	0,20	22062197-00	12	

Use power supply code 22090870-00, to power up to 3 FULLCOLOR RGB spotlights.  
 To supply other 3 spotlights FULLCOLOR RGB in sync with MASTER, acquire SLAVE cod 22090871-00.  
 Remote control code 22099020-00 is supplied separately.  
 Possibility of DMX System cod. 22090876-00.

**Connections and accessories**

High efficiency d.c. power generator, with reduced weight and size. 350mA is the direct current output of high-Power LEDs, according to the type of use. Professional three-channel LED RGB colour control module, separate dimmable function available for each channel with IR remote control. Three colour changing programmes can be selected using a special button. The colour/programme selected is stored in the memory when the luminaire is switched off, also in case of a power cut. Loading of the colour changing programme. ON/OFF button, also operates with a synchronized MASTER and SLAVE system.



**POWER LED RGB CONNECTIONS**

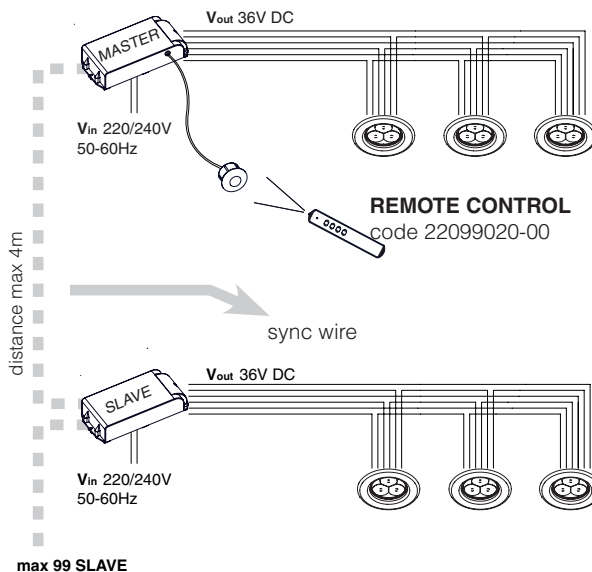
**BASE SYSTEM**

**CODE 22090870-00**  
 Master + IRE Receiver

Three-channel professional colour control module for LED RGB. Dimmable option supplied separately with IRE remote control (code 22099020-00).

**CODE 22090871-00**  
 Slave

A SLAVE be purchased to use 3 more spotlights in sync with the MASTER, (code 22090871-00). Can be operated using 1 MASTER and 99 SLAVES.



1mm<sup>2</sup> up to 150 m -  
 1,5 mm<sup>2</sup> up to 240 m

**N.B:** Must maintain sequence connection. Minimum load 4W/channel (max 3 FULLCOLOR triple lenses)

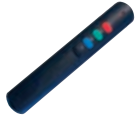
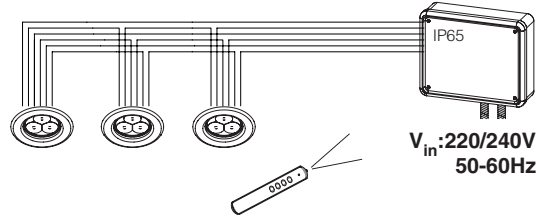
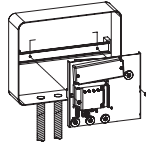
1mm<sup>2</sup> up to 150 m -  
 1,5 mm<sup>2</sup> up to 240 m

**POWER LED RGB CONNECTIONS**

**KIT1 CODE 22090872-00**

1 Master, IRE Receiver and a terminal block for the network connection

Supplied with 1 pre-wired plate to be inserted in the IP65 box to power 3 LED RGB lights in sync (ex. art. M45). The IRE remote control purchased separately (code 22099020-00).

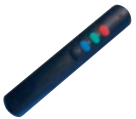
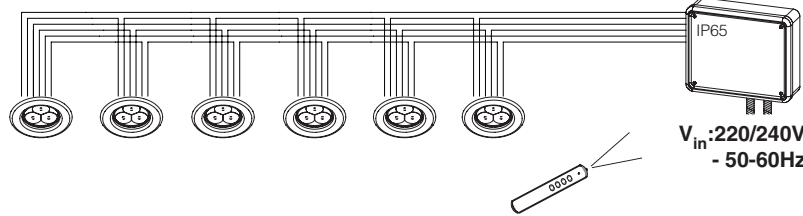
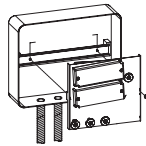


REMOTE CONTROL  
(cod. 22099020-00)

**KIT2 COD. 22090873-00**

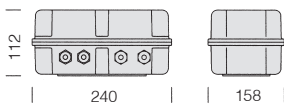
1 Master, IRE Receiver and a terminal block for the network connection

Supplied with 1 pre-wired plate to be inserted in the IP65 box to power 6 LED RGB lights in sync (ex. art. M45). The IRE remote control purchased separately (code. 22099020-00).



REMOTE CONTROL  
(cod. 22099020-00)

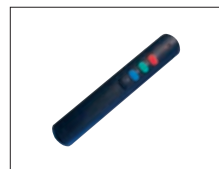
**IP65IK07**



**KIT 3 bis - Waterproof gear box with LED RGB power supply and DMX interface**

wattage/W	colour/ì	code
60	nero	22092051-00

IP65 box with 48V 60W power supply for RGB Power LED - **max 12 LEDs**. Supplied with electronic card and controller / DMX interface, four cable glands, 9/12 mm diameter.  
After acc. 22092051-00 n. 20, use acc. code 22092052-00.



**REMOTE CONTROL code Fosnova**

22099020-00

For on/off switching and to regulate colour change programs.