



Gi Otto with "swivelling" fixed base for wall or ceiling installations. Perfect for lighting particular ambiences. Various light source options available, with different types of beams.

Track-mounted adjustable-angle GiOtto with Omnitrack adapter

Housing: Die-cast zamak, with adjustable-angle bows and lamp-holders.

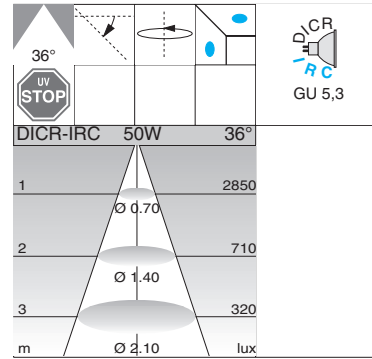
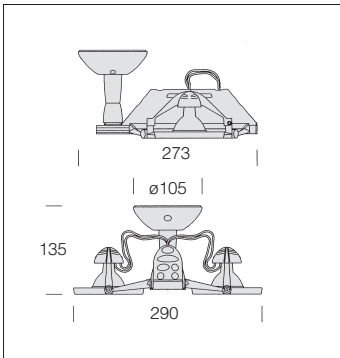
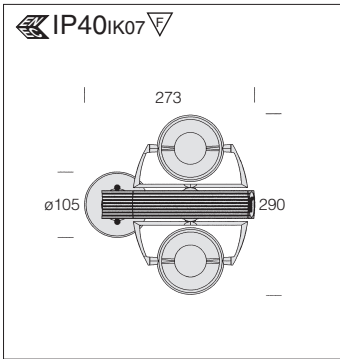
Coating: Fluid-coated with a UV-stabilised acrylic-resin paint.

Lampholder: Ceramic with silver-plated contacts.

Electronic gear: Supplied with dimming transformer. Flexible wire. 2P+T terminal block (maximum allowed lead cross-section: 2.5mm²).

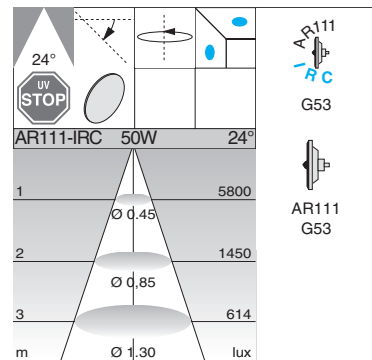
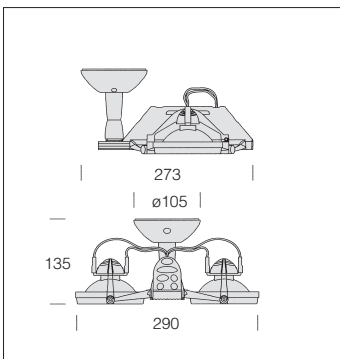
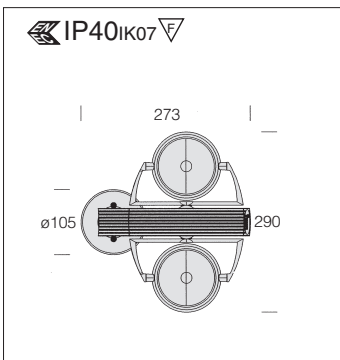
Regulations: Manufactured articles possess the degree of protection in accordance with EN60529 standards.

Lamps: Supplied with DICR-IRC 35-24°/50-38° and AR111-IRC 35/50W-24° lamps. Range of light sources, powers and light beams to select from. A different lamp can be requested by specifying the desired item.



Gi Otto 2xdicr				
		CTL		Lamps (Ta=25°C)
wattage	colour	weight	code	Kelvin - h - ølm - Ra
DICR-IRC 2x35	m. silver	1,50	22074076-00	3000K - 5000h - 2200cd - 36°
DICR-IRC 2x50	m. silver	1,50	22074070-00	3000K - 5000h - 2850cd - 36°

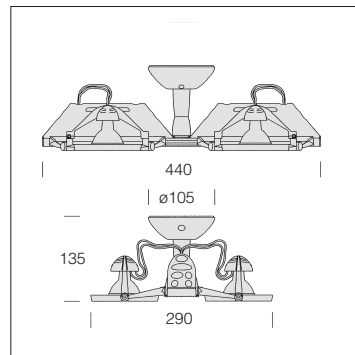
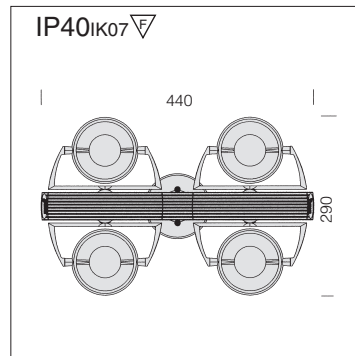
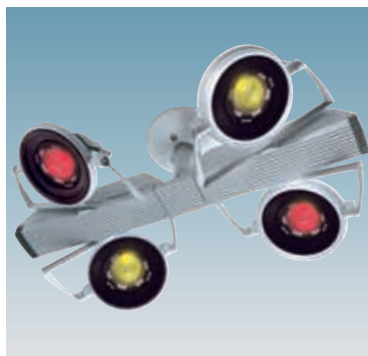
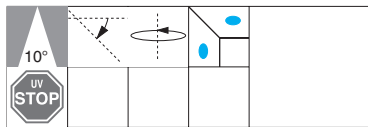
IRC lamp = "ES" Energy saver



Gi Otto 2xar111				
		CTL		Lamps (Ta=25°C)
wattage	colour	weight	code	Kelvin - h - ølm - Ra
AR111-IRC 2x35	m. silver	1,60	22074077-00	3000K - 4000h - 4500cd - 24°
AR111-IRC 2x50	m. silver	1,60	22074071-00	3000K - 4000h - 5800cd - 24°
AR111 2x75	m. silver	1,60	22074073-00	3000K - 3000h - 5300cd - 24°

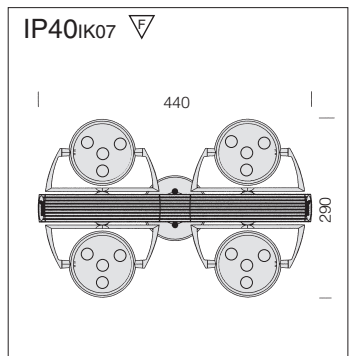
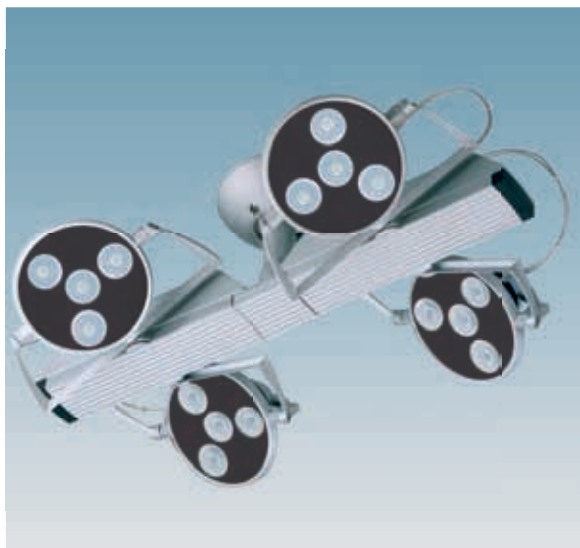
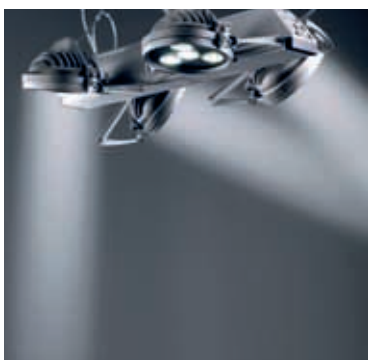
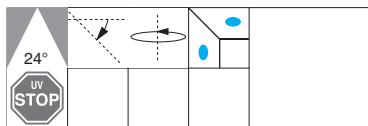
IRC lamp = "ES" Energy saver





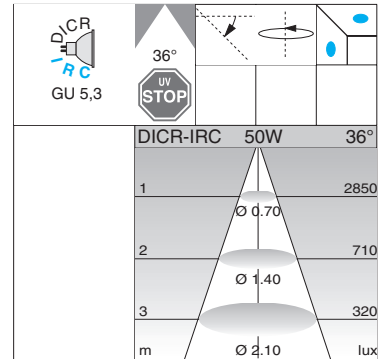
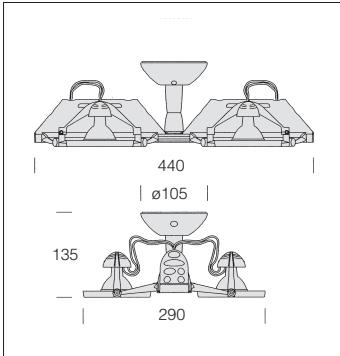
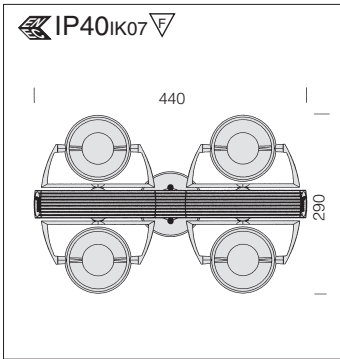
Gi Otto POWER LED - angle-beam 10°							
		CLD CELL			LED (Ta=25°C)		
wattage	colour	weight	code	W tot.	K	cd	degrees
LED white 4x2W	m. silver	3,00	22075075-00	8	5000	120	10°
LED blue 4x2W	m. silver	3,00	22075075-71	8			10°
LED red 4x2W	m. silver	3,00	22075075-72	8			10°
LED yellow 4x2W	m. silver	3,00	22075075-73	8			10°
LED green 4x2W	m. silver	3,00	22075075-74	8			10°

Supplied with 4 LED modules, 2W, beam aperture: 10°.



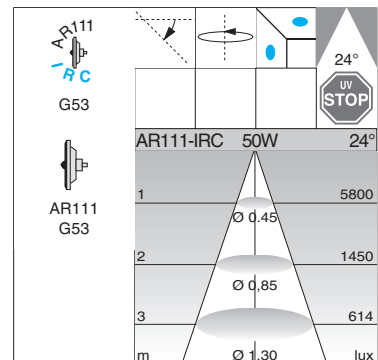
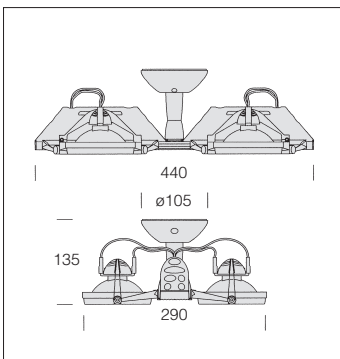
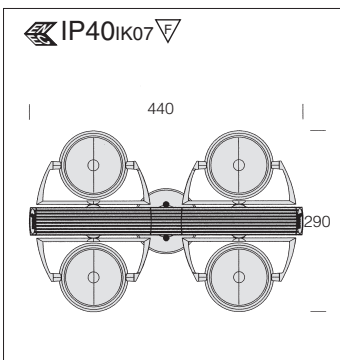
Complete with 4 SPOTLED modules of 6W each, 24W tot.

Gi Otto - POWER LED							
		CLD CELL			LED (Ta=25°C)		
wattage	colour	weight	code				degrees
SPOTLED 4x6	m. silver	3,30	22075077-00				24°



Gi Otto 4xdicr					
		CTL		Lamps (Ta=25°C)	
wattage	colour	weight	code	Kelvin - h - ølm - Ra	
DICR-IRC 4x35	m. silver	2,70	22075076-00	3000K - 5000h - 2200cd - 36°	
DICR-IRC 4x50	white	2,70	22075016-00	3000K - 5000h - 2850cd - 36°	
DICR-IRC 4x50	m. silver	2,70	22075070-00	3000K - 5000h - 2850cd - 36°	

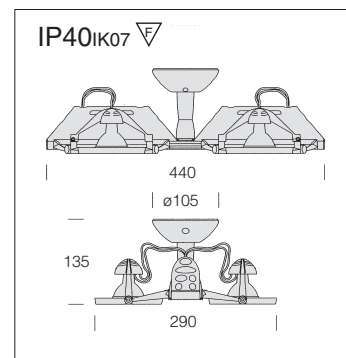
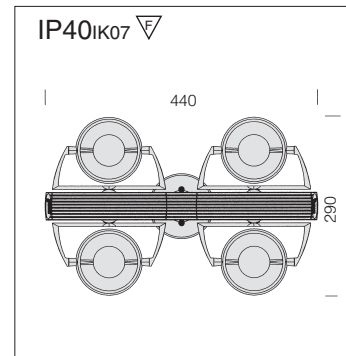
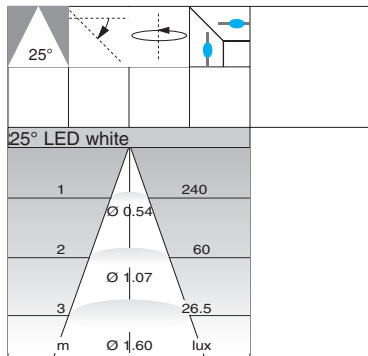
IRC lamp = "ES" Energy saver



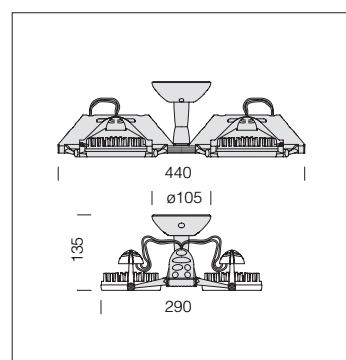
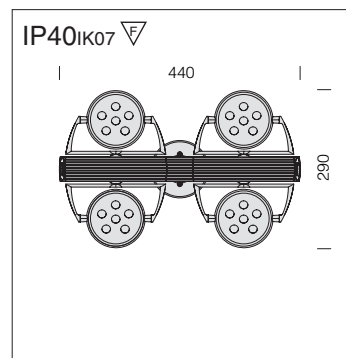
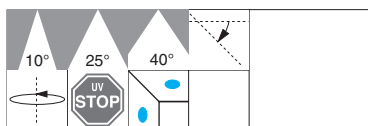
Gi Otto 4xar11					
		CTL		Lamps (Ta=25°C)	
wattage	colour	weight	code	Kelvin - h - ølm - Ra	
AR111-IRC 4x50	m. silver	2,70	22075071-00	3000K - 4000h - 5800cd	
AR111-IRC 4x50	white	2,70	22075010-00	3000K - 4000h - 4500cd	
AR111 4x75	m. silver	2,70	22075074-00	3000K - 3000h - 5300cd - 24°	
AR111 4x75	white	2,70	22075014-00	3000K - 3000h - 5300cd - 24°	

IRC lamp = "ES" Energy saver





Gi Otto Power LED					
		CLD CTL		LED (Ta=25°C)	
wattage/W (350mA)	colour	weight	code	W tot	Kelvin - ølm (350mA) - degrees
LED white 4x3,5W	m. silver	1,50	22078573-00	14W	3000K - 242lm - 25°
LED white 4x3,5W	m. silver	1,50	22078572-00	14W	4000K - 282lm - 25°
LED white 4x3,5W	m. silver	1,50	22078571-00	14W	6000K - 321lm - 25°



Gi Otto ESALED					
		CLD CELL		LED (Ta=25°C)	
wattage/W (700mA)	colour	weight	code	W tot	Kelvin - ølm(700mA) - degrees
ESALED white 2x16,8W	m. silver	1,50	22079270-00	33,6W	4000K - 1020lm - 10°
ESALED white 2x16,8W	m. silver	1,50	22079271-00	33,6W	4000K - 1020lm - 25°
ESALED bianco 2x16,8W	m. silver	1,50	22079272-00	33,6W	4000K - 1020lm - 40°

Gi Otto ESALED					
		CLD CELL		LED (Ta=25°C)	
wattage/W (700mA)	colour	weight	code	W tot	Kelvin - ølm(700mA) - degrees
ESALED white 4x16,8W	m. silver	1,50	22079273-00	67,2W	4000K - 1020lm - 10°
ESALED white 4x16,8W	m. silver	1,50	22079274-00	67,2W	4000K - 1020lm - 25°
ESALED white 4x16,8W	m. silver	1,50	22079275-00	67,2W	4000K - 1020lm - 40°

Equipped with high efficiency Esaled lamps. LED lights have no ultraviolet and infrared components.

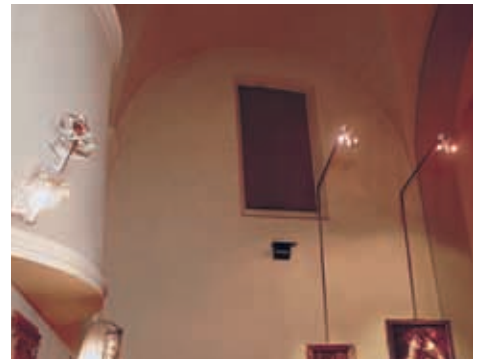
The particular feature of this version is that it is equipped with an adjustable base. Ideal for wall or ceiling installation and to illuminate objects wherever they are.

Housing: die-cast zamak with adjustable angle bows and lampholder.

Coating: acrylic resin liquid paint, UV ray stabilized.

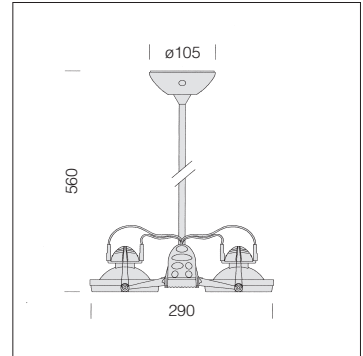
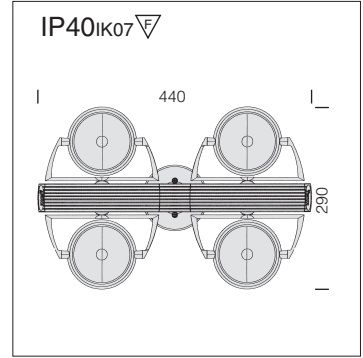
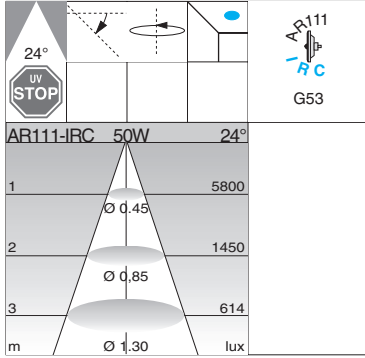
Electric gear: equipped with transformer.

Regulations: products manufactured in accordance with EN 60598-1-CEI 34.21 standards, degree of protection in accordance with standards EN 60529.



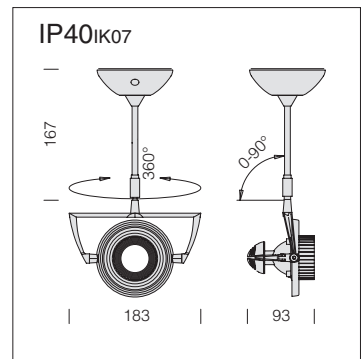
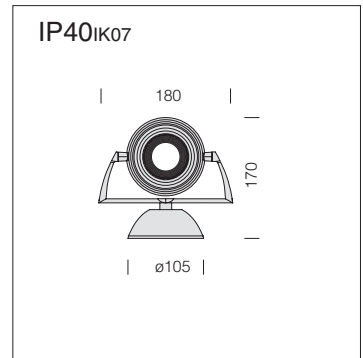
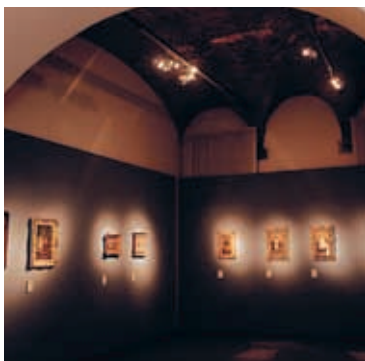
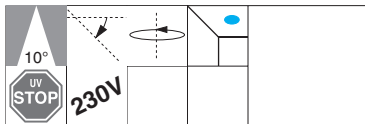
Upon request: Gi Otto double wall linear. CDM-TM20





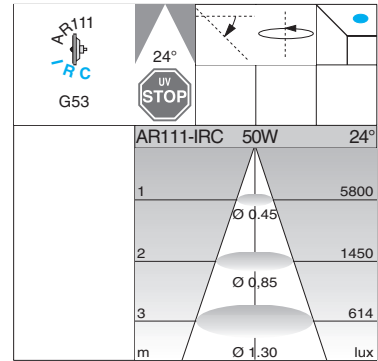
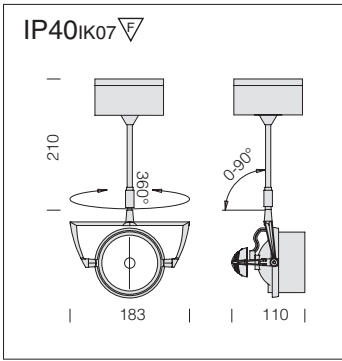
Gi Otto 4xr111 - long rods						
		CTL		Lamps (Ta=25°C)		
wattage	colour	weight	code	Kelvin - h - ølm - Ra		
AR111-IRC 4x50	m. silver	2,70	22074075-00	3000K - 5000h - 5800cd - 24°		

Ideal for high ceilings or above conference tables.



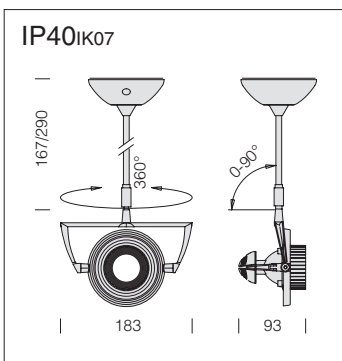
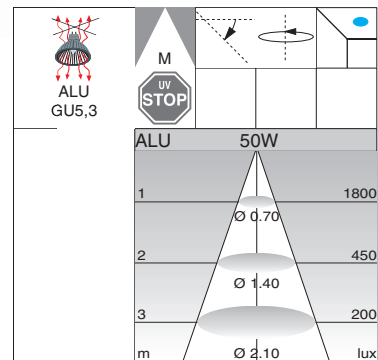
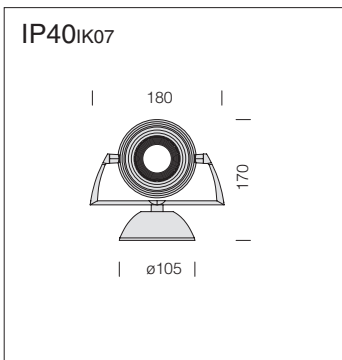
Gi Otto - POWER LED 230V						
		CLD S+L		Lamps (Ta=25°C)		
wattage	colour	weight	code		W tot.	K - cd - degrees
LED white 2,5	m. silver	0,50	22074080-00	short	2,5	5000 - 120 - 10°
LED white 2,5	m. silver	0,50	22074081-00	medium	2,5	5000 - 120 - 10°

Supplied with a LED module of 2,5W.



Gi Otto					
		CTL		Lamps (Ta=25°C)	
wattage	colour	weight	code	Kelvin - h - ølm - Ra	
AR111-IRC 50	m. silver	0,90	22074082-00	3000K - 5000h - 5800cd - 24°	

Supplied with a conveyor.



Gi Otto					
		S+L		Lamps (Ta=25°C)	
wattage	colour	weight	code	Kelvin - ølm - Ra	
ALU 50	m. silver	0,50	22074078-00	short	3000K - 3000h - 1800cd
ALU 50	m. silver	0,50	22074074-00	medium	
ALU 50	m. silver	0,50	22074079-00	long	