



Housing: Made of die-cast aluminium. To be completed with accessories

Reflector: Polished anodised aluminium.

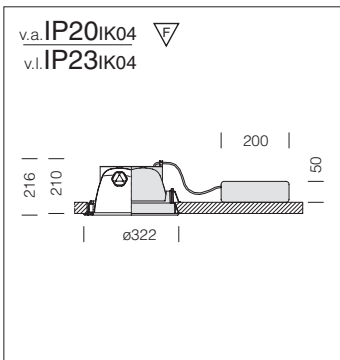
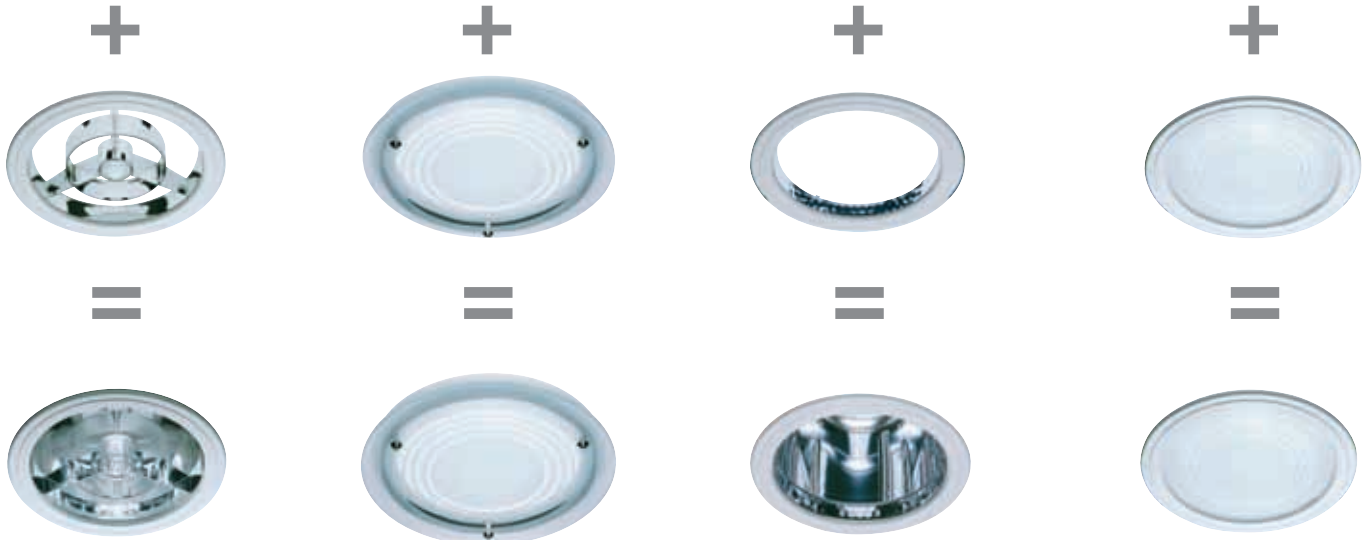
Coating: UV-stabilised white enamel acrylic anionic electrocoating.

Electric gear: 230V/50Hz power supply. Hard wire, cross-section 0.50 sqmm and high-temperature resistant (up to 90°C) PVC-HT sheath, in accordance with CEI 20-20 standards. or flexible wire terminated with quick-connection admiralty brass clamps. Silicone insulation with fibreglass braid; cross-section: 1.5 mm². 2P+T terminal block (maximum allowed lead cross-section 2.5 mm²). Plug and socket connection. Discharge lamp versions are equipped with thermal protection.

Equipment: Supplied with galvanised steel adjustable brackets. With safety springs to prevent the diffuser from falling.

Regulations: Manufactured in compliance with EN60598 - CEI 34 -21 standards. The level of protection complies with the EN60529 standard.





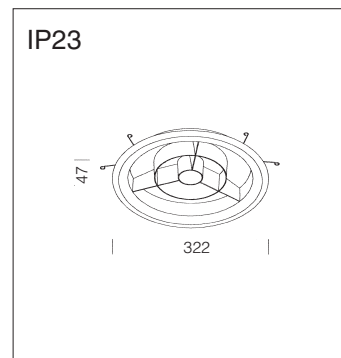
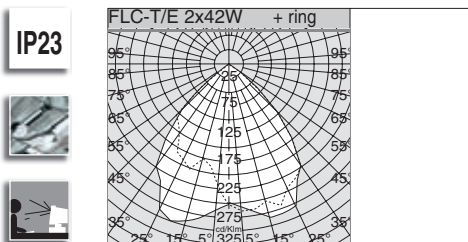
 FLC-D G24 26W = G24 d-3	 Ø300	 A2 E	 DIM
Consump. CELL=A2 CNRL=B2		FLC T/E 2x42W	
 FLC-D/E G24 26W = G24 q-3	 95° 85° 75° 65° 45° 125° 175° 225° 275° 25° 15° 5° 325° 15° 25°		
 FLC-T/E Gx24 32W = Gx24 q-3 42W = Gx24 q-4 57W = Gx24 q-5			

Euro 1

		CBRL		CELL-E		Lamps (Ta=25°C)
wattage	colour	weight	code	weight	code	Kelvin - ølm - Ra
FLC-D 3x26	white	4,30	22089013-00			3000K - 1800 lm - Ra 1b
FLC-D+D/E 2x26+26	white			3,70	22089013-09	3000K - 1800 lm - Ra 1b
FLC-T/E 2x32	white			3,70	22089014-09	3000K - 2400 lm - Ra 1b
FLC-T/E 2x42	white			3,70	22089015-09	3000K - 3200 lm - Ra 1b

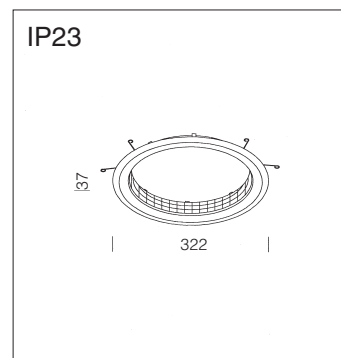
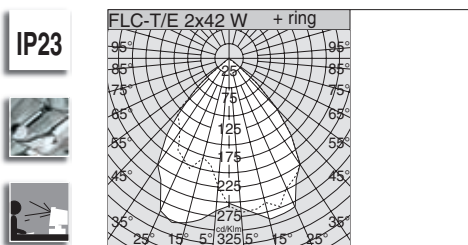
		CELL		CELL-D (1-10V)		Lamps (Ta=25°C)
wattage	colour	weight	code	weight	code	Kelvin - ølm - Ra
FLC-D/E 3x26	white	2,80	22089013-08			3000K - 1800 lm - Ra 1b
FLC-T/E 2x32	white	1,90	22089014-00	2,00	22089014-12	3000K - 2400 lm - Ra 1b
FLC-T/E 2x42	white	1,80	22089015-00	1,90	22089015-12	3000K - 3200 lm - Ra 1b
FLC-T/E 2x42	white	1,90	22089017-00	2,00	22089017-12	4000K - 3200 lm - Ra 1b
FLC-T/E 1x57	white		22089018-00			

To complete the fixtures, it is recommended to use optic accessories.



Low luminance "dark" ring.
In metallic polycarbonate for improved light control. To be used with art. Euro 1.

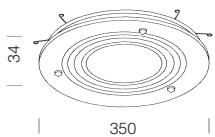
Dark ring	
metallic	22092312-00



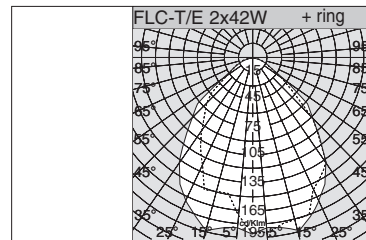
Low-luminance ring. In metallic polycarbonate with prism-like facets for greater luminous control. To be used with art. Euro 1.

Prismatic ring	
prismatic	22092310-00

IP43

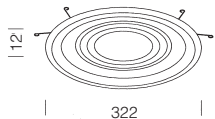


Ring with a silk screen glass.
Glass with silk finish and micro stretched steel ring which acts as an insect barrier.
To be used with art. Euro 1 which becomes IP43.

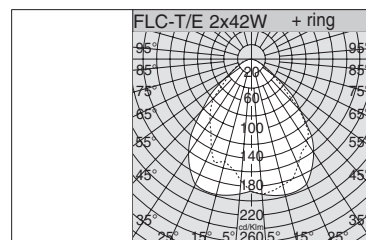


Glass	
silk-screened	22092313-00

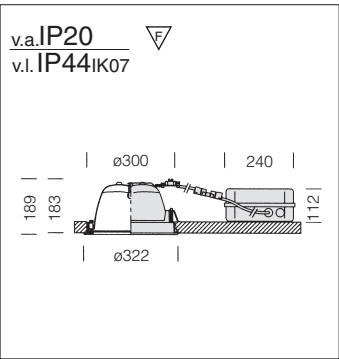
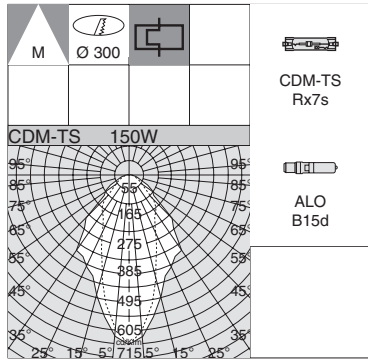
IP44



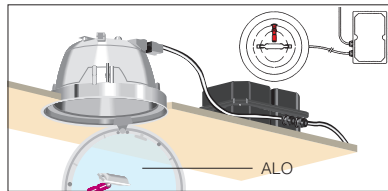
Ring with a silk screen glass insert.
To be used with art. Euro 1 which becomes IP44.



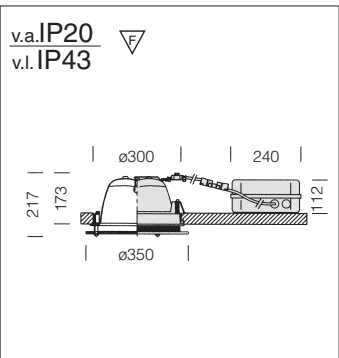
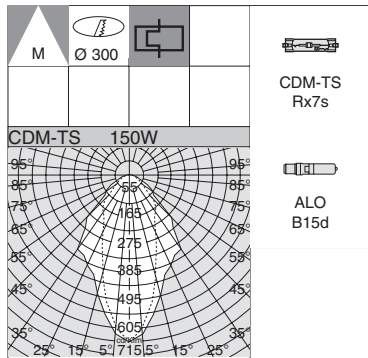
Ring + Glass	
silk-screen	22092311-00



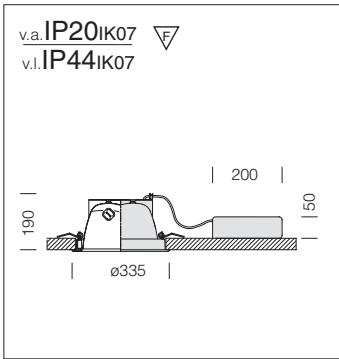
Euro 2 with glass						
		CELL		CNRL (+CLA)		Lamps (Ta=25°C)
wattage	colour	weight	code	weight	code	Kelvin - ølm - Ra
CDM-TS 150	white	2,60	22089117-08			3000K - 13250 lm - Ra 1b
CDM-TS 150 + ALO 100 ECO	white			5,30	22089117-79	3000K-13250lm-Ra 1b+2900K-1500lm



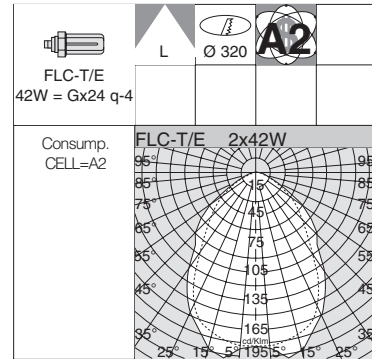
CLA version:
In JM discharge lamps, the nominal luminous level is not reached immediately. To overcome this disadvantage, the CLA version includes an electronic switching device that ignites the secondary ALO 100W lamp until the main lamp is fully operating.



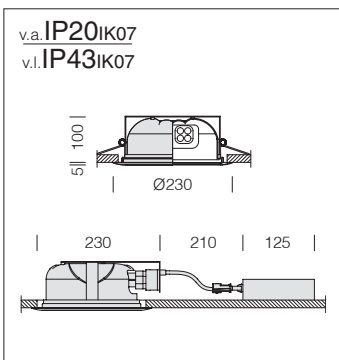
Euro 3 with external glass						
		CELL		CNRL (+CLA)		Lamps (Ta=25°C)
wattage	colour	weight	code	weight	code	Kelvin - ølm - Ra
CDM-TS 150	white	3,30	22089217-08			3000K - 13250 lm - Ra 1b
CDM-TS 150 + ALO 100 ECO	white			6,60	22089217-79	3000K-13250lm-Ra 1b+2900K-1500lm



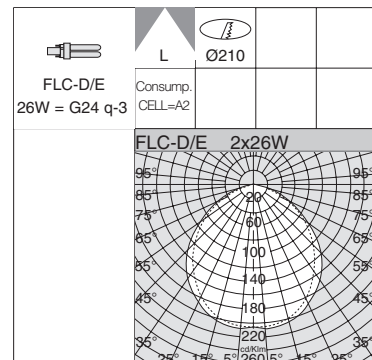
Versions in die-cast aluminium with polished plated optics.
Screw security opening at 1/4 turn.



Euro 4						
		CELL		CELL-E		Lamps (Ta=25°C)
wattage	colour	weight	code	weight	code	Kelvin - ølm - Ra
FLC-T/E 2x42	white	2,80	22089315-00	6,20	22089315-09	3000K - 3200 lm - Ra 1b
FLC-T/E 2x42	white	2,80	22089310-00	6,20	22089310-09	4000K - 3200 lm - Ra 1b



Housing: in galvanized sheet metal and aluminium alloy.
Reflector: ring with silk-screen printed glass.
Switches on four times a day, working life: 20,000 hours.
Quick and simple lamp replacement.



Euro 5 - with silk-screened glass						
		CELL		Lamps (Ta=25°C)		
wattage	colour	weight	code	Kelvin - ølm - Ra		
FLC-D/E 2x26	white	1,20	22089316-00	4000K - 1800 lm - Ra 1b		