



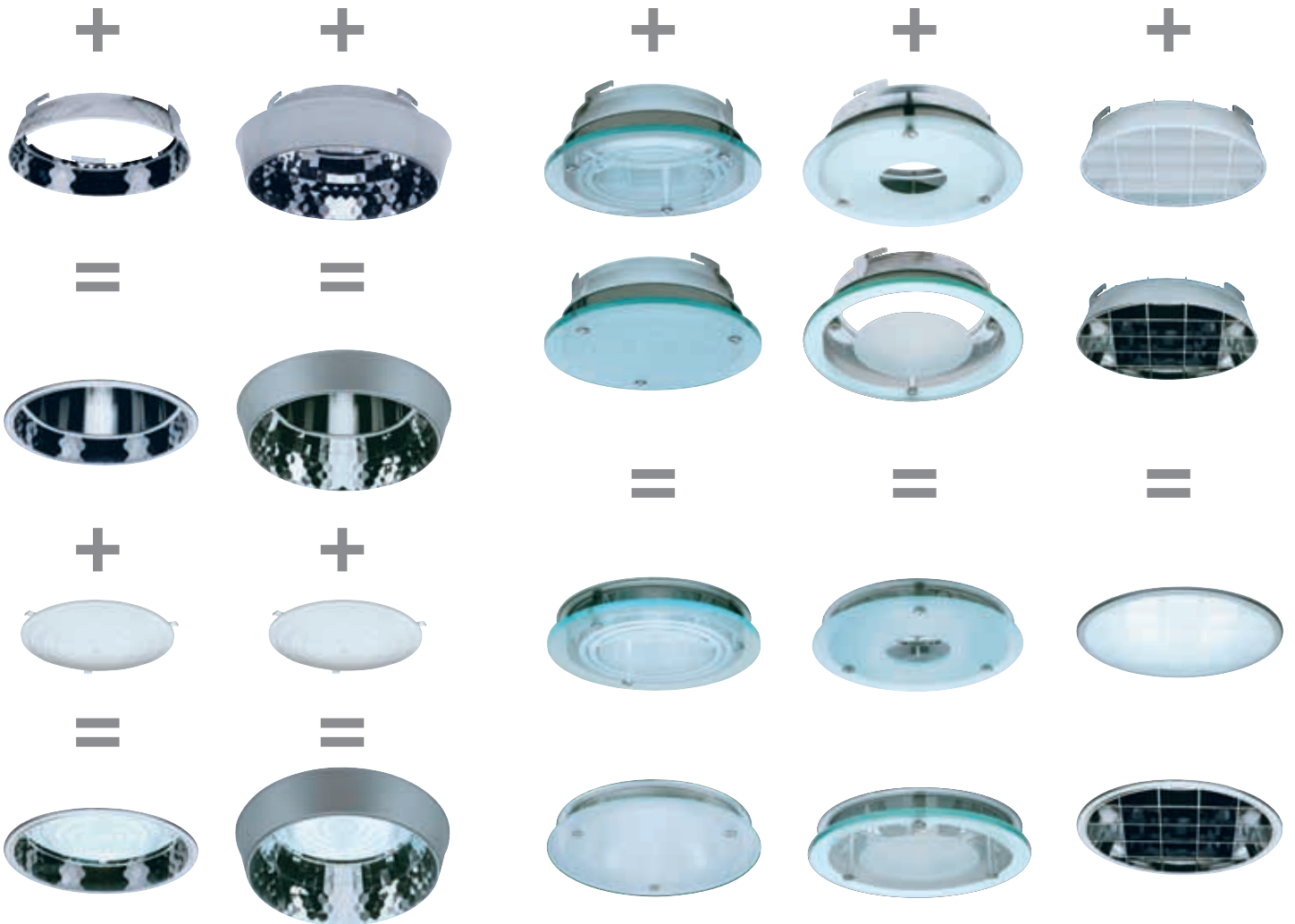
A family of fixtures designed to combine high energy saving with excellent light quality, to address diverse needs concerning safety (IP235 and double insulation) as well as maintenance. The fixture's design is extremely smooth and functional.

We recommend the electronic version to save energy.



USE OF OPTICAL SYSTEM WITH 65° SHIELDING IN ACCORDANCE WITH EN STANDARD 12464

Recent international standards introduce new developments concerning low luminance. Standard EN 12464 for the lighting of indoor workplaces, prescribes luminance limits for angles comprised between 65° and 85° in rooms where computer monitors are to be used.





Housing: Vandal-resistant, V2 self-extinguishing, UV-stabilized, anti-yellowing treated polycarbonate.

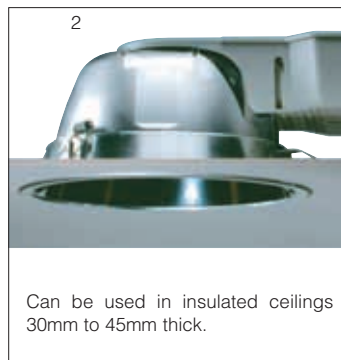
Reflector: V2 self-extinguishing polycarbonate, metallized with aluminium powders through a C.V.D. hard-vacuum process for greater luminous efficiency and improved light control.

Lampholder: Polycarbonate with phosphorous bronze contacts.

Electric gear: 230-240V/50-60Hz power supply with heat protection: Hard wire, cross section 0.50 sqmm, and high-temperature resistant (up to 90°C) PVC-HT sheath, in accordance with CEI 20-20 standards. 2P terminal block (maximum allowed lead cross section 2.5 sqmm.)

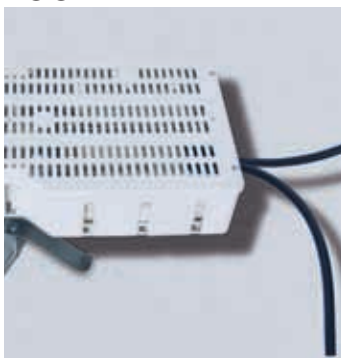
Equipment: Control gear located on the side of the housing inside a polycarbonate box with cooling slots.

Regulations: Manufactured in accordance with EN60598 - CEI 34 - 21 standards. Degree of protection in accordance with EN60529 standards.

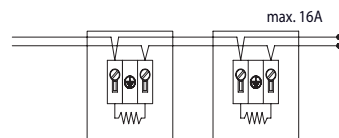


Supplied with springs ensuring perfect adherence to 1 to 20 mm thick false ceilings.

LOOP-IN



Energy 2000 possesses a series of clamps which allow the system mains voltage operation and supply for two or more articles where every power supply conductor enters and goes out into the same clamp.



WIRE GST18i

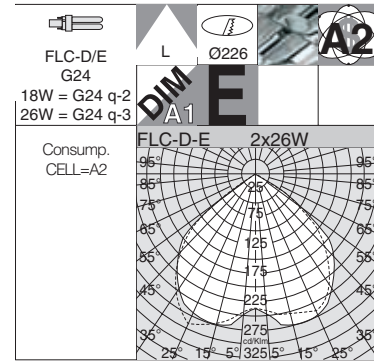
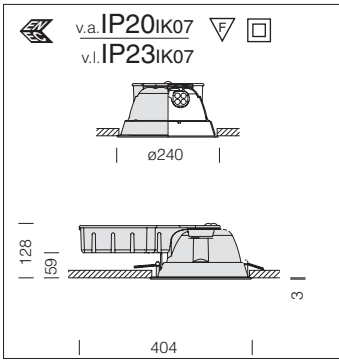


Energy 2000, on request can be equipped with:

- wire in PVC H05V2V2-F3G1,5 and a 3 poled plug GST18i3 for direct connections with systems already supplied with a socket.

- wire in PVC H05VV-F5G1,5 and a 5 poled plug GST18i5 utilised on equipped emergency articles box or for direct connections with systems already supplied with a socket.





Energy 2000						
wattage	colour	CELL		CELL-D (1-10V)		Lamps (Ta=25°C)
		weight	code	weight	code	Kelvin - ølm - Ra
FLC-D/E 1x18	aluminium	0,80	22172175-08	0,90	22172175-12	4000K - 1200 lm - Ra 1b
FLC-D/E 1x26	aluminium	0,90	22172177-08	1,00	22172177-12	4000K - 1800 lm - Ra 1b
FLC-D/E 1x18	aluminium	0,80	22173175-08	0,90	22173175-12	3000K - 1200 lm - Ra 1b
FLC-D/E 1x26	aluminium	0,90	22173177-08	1,00	22173177-12	3000K - 1800 lm - Ra 1b
FLC-D/E 2x18	aluminium	0,90	22173178-08	1,00	22173178-12	3000K - 1200 lm - Ra 1b
FLC-D/E 2x26	aluminium	1,00	22173176-08	1,10	22173176-12	3000K - 1800 lm - Ra 1b
FLC-D/E 2x18	aluminium	0,90	22172178-08	1,00	22172178-12	4000K - 1200 lm - Ra 1b
FLC-D/E 2x26	aluminium	1,00	22172176-08	1,10	22172176-12	4000K - 1800 lm - Ra 1b

Energy 2000 - dimm							
wattage	colour	CELLD-E (1-10V)		CELLD-DIG (dali)		CELLD-DIG-E (dali)	
		weight	code	weight	code	weight	code
FLC-D/E 2x26	aluminium	1,00	22173176-94	1,00	22173176-1241	1,00	22173176-9441
FLC-D/E 2x26	aluminium	1,00	22172176-94	1,00	22172176-1241	1,00	22172176-9441

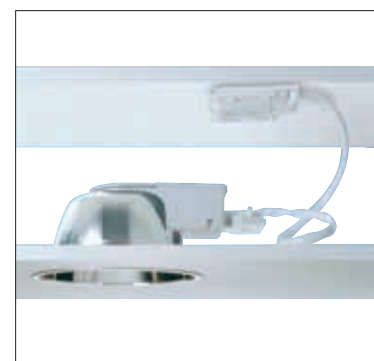
Energy 2000 emergency kit				
wattage	colour	CELL-E		Lamps (Ta=25°C)
		weight	code	Kelvin - ølm - Ra
FLC-D/E 1x18	aluminium	1,90	22172175-09	4000K - Ra 1b - 1200 lm
FLC-D/E 1x26	aluminium	2,00	22172177-09	4000K - Ra 1b - 1800 lm
FLC-D/E 2x18	aluminium	2,00	22173178-09	3000K - Ra 1b - 1200 lm
FLC-D/E 2x26	aluminium	2,10	22173176-09	3000K - Ra 1b - 1800 lm
FLC-D/E 2x18	aluminium	2,00	22172178-09	4000K - Ra 1b - 1200 lm
FLC-D/E 2x26	aluminium	2,10	22172176-09	4000K - Ra 1b - 1800 lm

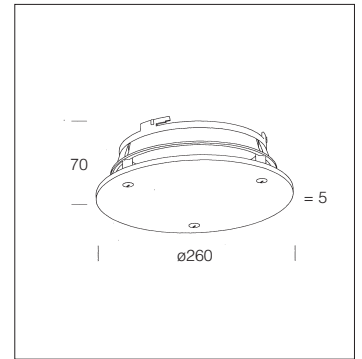
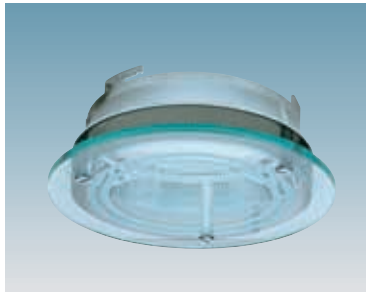
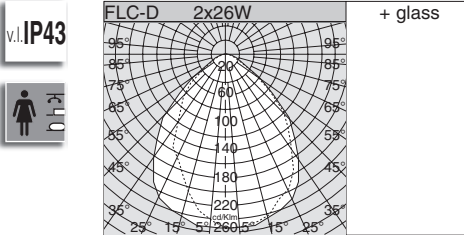
In the event of a black-out the one lamp connected to the back-up circuit stays on (maintained version), thus avoiding the inconvenience caused by a sudden absence of all light. Emergency run time: 60 minutes. When power is restored, the battery recharges automatically.



Energy 2000 with box				
wattage	colour	CELL		Lamps (Ta=25°C)
		weight	code	Kelvin - ølm - Ra
FLC-D/E 2x18	aluminium	0,80	22173172-08	3000K - Ra 1b - 1200 lm
FLC-D/E 2x26	aluminium	0,80	22173174-08	3000K - Ra 1b - 1800 lm

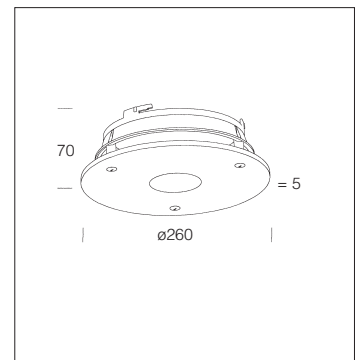
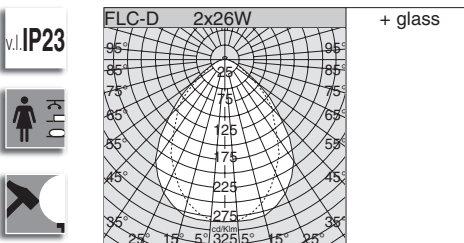
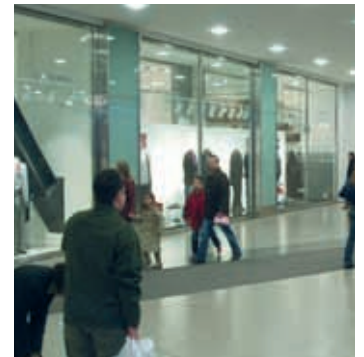
It can be installed with separate box hanging from the ceiling to reduce weight. It is also useful in case of space problems, caused by other services pathway in the false ceiling. Cable between downlight and power supply box: 60 cm.





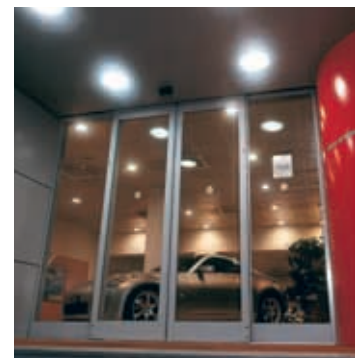
5mm thick silk-screen tempered glass finishing. Micro-stretched steel ring placed between the glass and the housing acts as an insect barrier. Becomes IP43 once installed on the product.

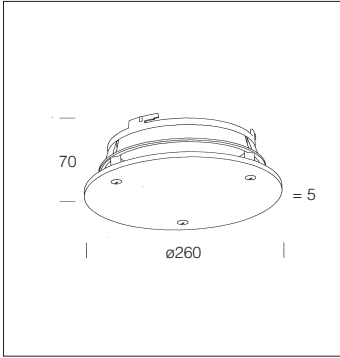
Glass	
printed	2209 1815 -00



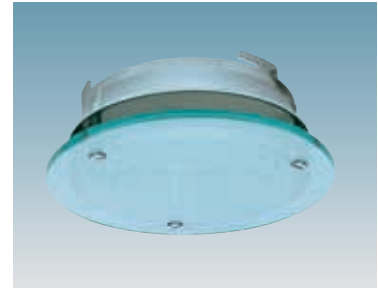
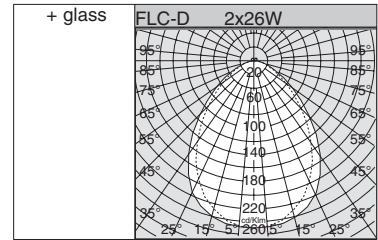
5mm thick silk-screen tempered glass finishing. Micro-stretched steel ring placed between the glass and the housing acts as an insect barrier. Becomes IP23 once installed on the product.

Glass	
printed	2209 1817 -00

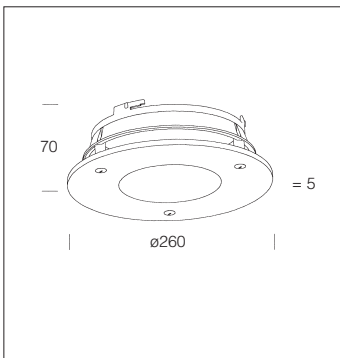




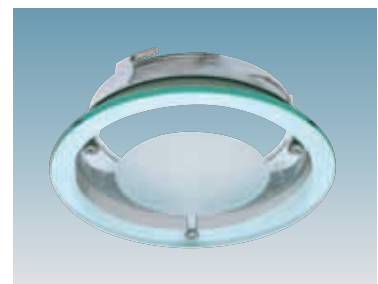
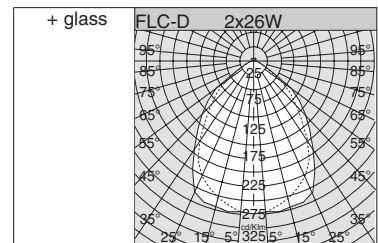
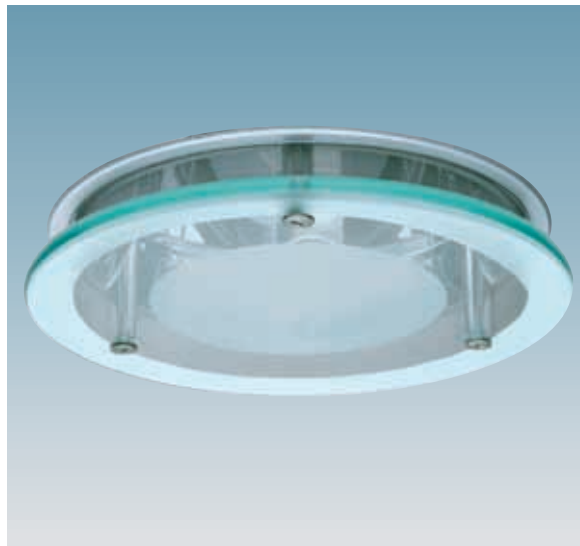
5mm thick silk-screen tempered glass finishing. Micro-stretched steel ring placed between the glass and the housing acts as an insect barrier. Becomes IP43 once installed on the product.



Glass	
sandblasted	22091816-00

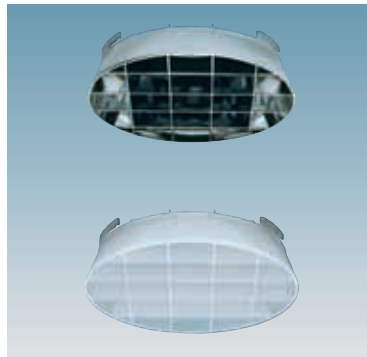
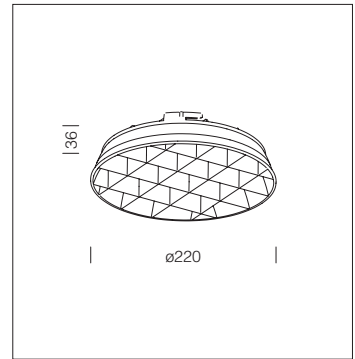
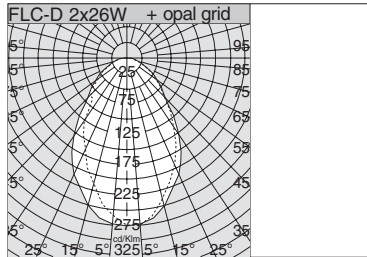
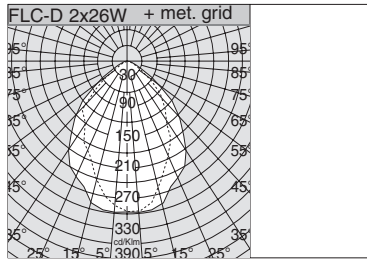


5mm thick silk-screen tempered glass finishing. Micro-stretched steel ring placed between the glass and the housing acts as an insect barrier. Becomes IP43 once installed on the product.



Glass	
printed	22091818-00



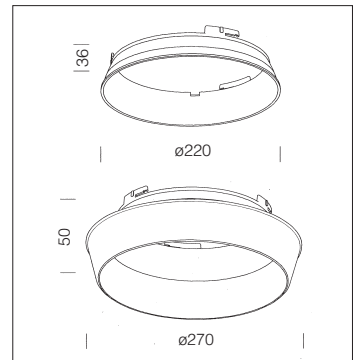
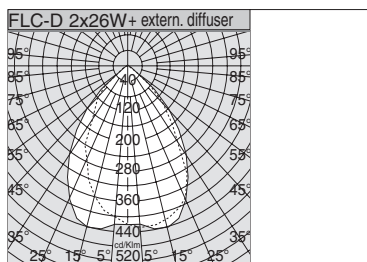
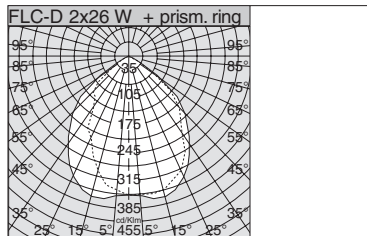


Metallized grid	
metal	22091875-00

Square grid in metallic polycarbonate for greater light control

Opal grid	
opal	22091820-00

Square grid in opal anti-glare polycarbonate.

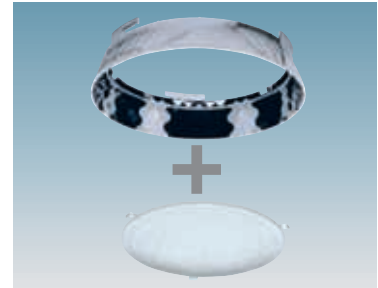
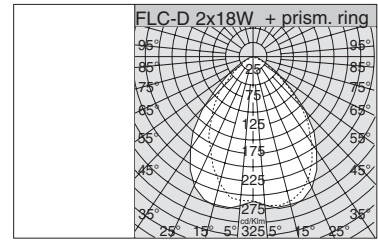
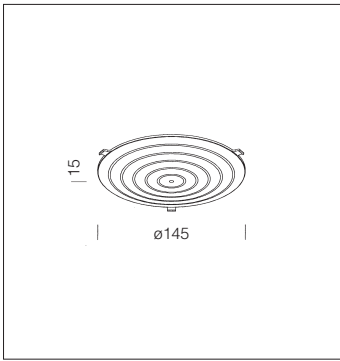


Prismatic ring	
	22091801-00

Low luminance "dark light" ring 65° (EN 12464). In metallic polycarbonate with prismatic faceting for greater light control.

Prismatic ring	
	22091805-00

Low luminance "dark light" ring 65° (EN 12464). In metallic polycarbonate with prismatic faceting for greater light control.

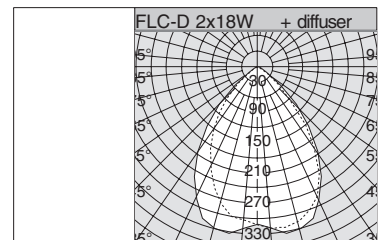
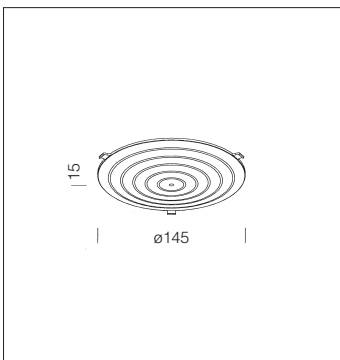


Diffuser	
transparent	22091810-00

Diffuser in transparent, self-extinguishing polycarbonate material with prismatic faceting and silking for greater glare control. To be bought with acc. 22091801-00. Only FLC1x18D and FLC2x18D.



FIXED RECESSED DOWNLIGHTS



Diffuser	
transparent	22091810-00

Louvre in self-extinguishing polycarbonate material with prismatic faceting and diffuser for great glare control. To be bought with acc. 22091805-00. Only FLC1x18D and FLC2x18D.

