



A high degree of technological expertise achieved in designing and manufacturing, combined with an excellent integration between industrial and lighting design, have enabled the creation of a new line of recessed fixtures using compact fluorescent lamps.

Housing: Vandal-resistant, V2 self-extinguishing, UV-stabilized, anti-yellowing white polycarbonate, with flux recuperating closing port that also keeps out dust.

Diffuser: Vandal-resistant, V2 self-extinguishing, UV-stabilized, prismatic clear polycarbonate.

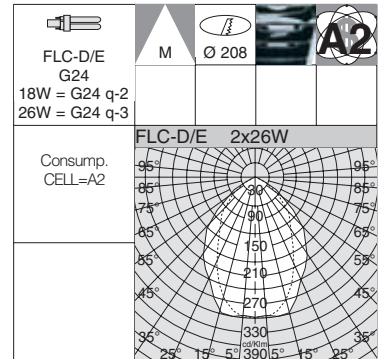
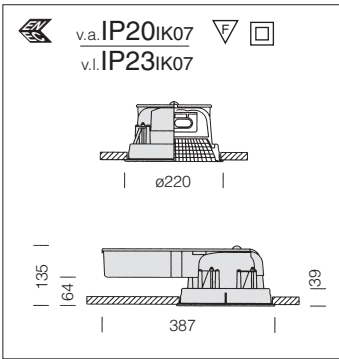
Electric gear: 230V/50Hz power supply with heat protection: Hard wire, cross section 0.50 mm², and high-temperature resistant (up to 90°C) PVC-HT sheath, in accordance with CEI 20-20 standards. 2P terminal block (maximum allowed lead cross section 2.5 mm²).

Equipment: Supplied with zinc-plated adjustable brackets ensuring perfect adherence to false ceilings (max thickness 37mm).

Regulations: Manufactured in accordance with EN60598 - CEI 34 - 21 standards. Degree of protection in accordance with EN60529 standards.

Emergency version: With separate electric gear box, in maintained version. In the event of a black-out a single lamp connected to the back-up circuit stays on. Run time: 60 minutes.



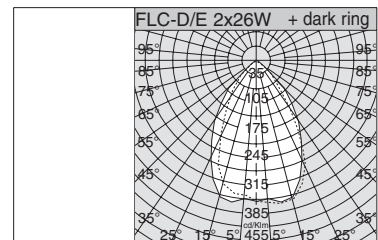
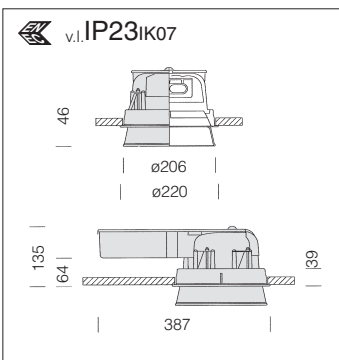


Metallized aluminium reflector: Polycarbonate, metallized with high grade aluminium powders through a C.V.D. hard-vacuum process for greater light control and efficiency. Prismatic faceting with flux recuperating system. Ideal for installation in open-plan offices and shopping centres.

The reflector's special design with spokes ensures a high degree of glare prevention and brightness once lit, making the fixture suitable for any work environment.

Energy 8						
		CELL		CELL-E		Lamps (Ta=25°C)
wattage	colour	weight	code	weight	code	Kelvin - ølm - Ra
FLC-D/E 1x26	white	1,10	22191417-08	2,20	22191417-09	4000K - 1800 lm - Ra 1b
FLC-D/E 2x18	white	1,10	22191419-08	2,30	22191419-09	4000K - 1200 lm - Ra 1b
FLC-D/E 2x26	white	1,20	22191416-08	2,30	22191416-09	4000K - 1800 lm - Ra 1b

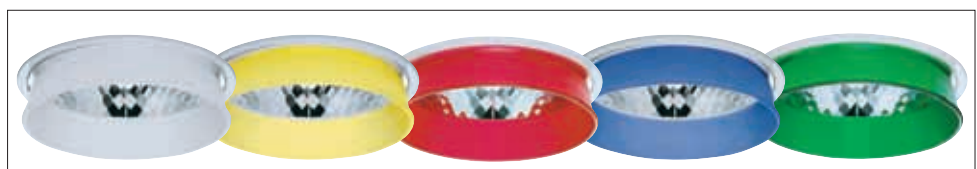
Energy 8										
		CELL-D (1-10V)		CELLD-E (1-10V)		CELLD-DIG (dali)		CELLD-DIG-E (dali)		Lamps (Ta=25°C)
wattage	colour	weight	code	weight	code					Kelvin - ølm - Ra
FLC-D/E 2x26	white	1,30	22191416-12			1,30	22191416-1241			4000K - 1800 lm - Ra 1b
FLC-D/E 2x26	white			2,30	22191416-94			2,30	22191416-9441	4000K - 1800 lm - Ra 1b



The use of the dark-light ring enables Energy 8 to operate as a low luminance dark-light fixture.

Dark ring for Energy 8	
dark	22091901-00
Dark-light ring, low-luminance optic. To be installed on art. Energy 8.	

Colour ring for Energy 8	
white	22091916-00
red	22091923-00
green	22091945-00
yellow	22091954-00
blue	22091982-00
Coloured finishing ring to be fitted to the art. Energy 8.	



L Ø 158 **A2 E** Consump. CELL=A2

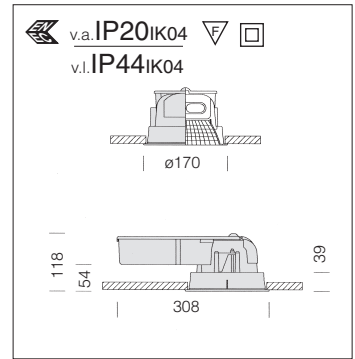
FLC-D/E 2x13 W

FLC-D/E G24
13W = G24 q-1
18W = G24 q-2

M Ø 158 **A2 E** Consump. CELL=A2

FLC-D/E 1x18 W

FLC-D/E G24
13W = G24 q-1
18W = G24 q-2



Matt reflector: Silver colour painted white polycarbonate with a prismatic faceting. Its diffused light makes it perfect for passageways not requiring high luminous control.

Energy 1 bis - Matt						
		CELL		CELL-E		Lamps (Ta=25°C)
wattage	colour	weight	code	weight	code	Kelvin - ølm - Ra
FLC-D/E 1x13	white	0,60	22191024-08			4000K - 900 lm - Ra 1b
FLC-D/E 1x18	white	0,60	22191025-08	1,70	22191025-09	4000K - 1200 lm - Ra 1b
FLC-D/E 2x13	white	1,00	22191026-08	1,70	22191026-09	4000K - 900 lm - Ra 1b

L Ø 208 **A2 E** Consump. CELL=A2

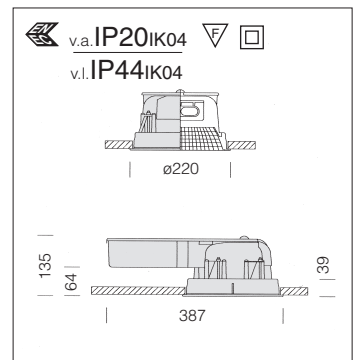
FLC-D/E 2x26 W

FLC-D/E G24
18W = G24 q-2
26W = G24 q-3

M Ø 208 **A2 E** Consump. CELL=A2

FLC-D/E 1x26 W

FLC-D/E G24
18W = G24 q-2
26W = G24 q-3

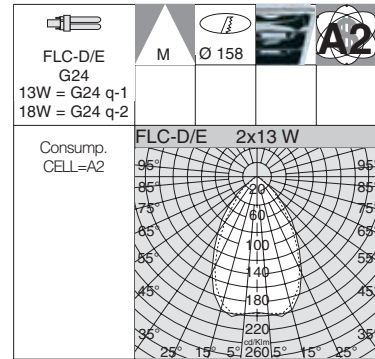
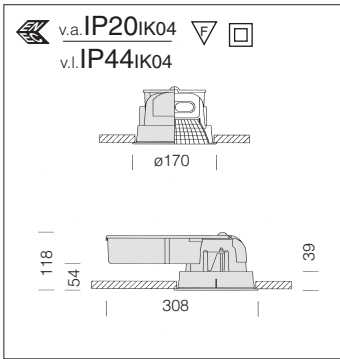


Matt reflector: Silver colour painted white polycarbonate with a prismatic faceting. Its diffused light makes it perfect for passageways not requiring high luminous control.

Energy 2 bis - Matt						
		CELL		CELL-E		Lamps (Ta=25°C)
wattage	colour	weight	code	weight	code	Kelvin - ølm - Ra
FLC-D/E 1x26	white	1,10	22191126-08			4000K - 1800 lm - Ra 1b - q-1
FLC-D/E 2x18	white	1,20	22191129-08	2,30	22191129-09	4000K - 1200 lm - Ra 1b - q-1
FLC-D/E 2x26	white	1,20	22191127-08	2,30	22191127-09	4000K - 1800 lm - Ra 1b - q-1

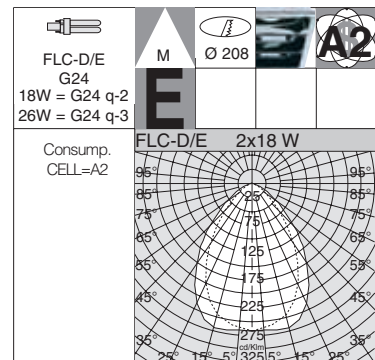
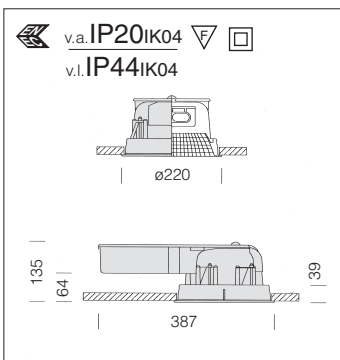
Energy 2 bis - Matt									
		CELL-D (1-10V)		CELLD-E (1-10V)		CELLD-DIG (dali)		CELLD-DIG-E (dali)	
wattage	colour	weight	code	weight	code	weight	code	weight	code
FLC-D/E 2x26	white	1,20	22191127-12	2,30	22191127-94	1,20	22191127-1241	2,40	22191127-9441

Lamps: 4000K - 1800lm - Ra1b.



Metallized aluminium reflector: Polycarbonate, metallized with high grade aluminium powders through a C.V.D. hard-vacuum process for greater light control and efficiency. Prismatic faceting with flux recuperating system. Ideal for installation in open-plan offices and shopping centres.

Energy 1							
		CELL		CELL-E		Lamps (Ta=25°C)	
wattage	colour	weight	code	weight	code	Kelvin - ølm - Ra	
FLC-D/E 1x13	white	0,60	22191017-08	1,60	22191017-09	3000K - 900 lm - Ra 1b	
FLC-D/E 1x18	white	0,60	22191018-08	1,60	22191018-09	3000K - 1200 lm - Ra 1b	
FLC-D/E 2x13	white	0,80	22191013-08	1,80	22191013-09	3000K - 900 lm - Ra 1b	

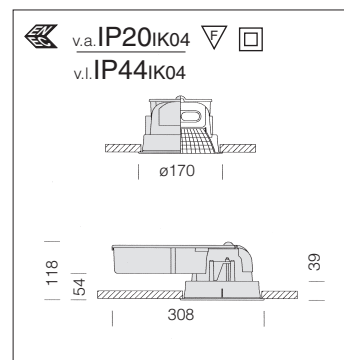
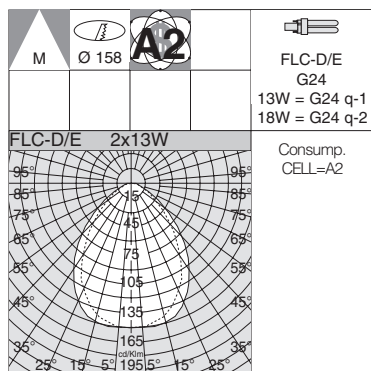


Metallized aluminium reflector: Polycarbonate, metallized with high grade aluminium powders through a C.V.D. hard-vacuum process for greater light control and efficiency. Prismatic faceting with flux recuperating system.

Energy 2								
		CELL		CELL-E		CELL-D (1-10V)		Lamps (Ta=25°C)
wattage	colour	weight	code	weight	code	weight	code	Kelvin - ølm - Ra
FLC-D/E 1x18	white	1,00	22191111-08	2,10	22191111-09	1,00	22191111-12	3000K - 1200 lm - Ra 1b
FLC-D/E 1x26	white	1,10	22191117-08	2,20	22191117-09	1,10	22191117-12	3000K - 1800 lm - Ra 1b
FLC-D/E 2x18	white	1,20	22191119-08	2,30	22191119-09	1,20	22191119-12	3000K - 1200 lm - Ra 1b
FLC-D/E 2x26	white	1,20	22191116-08	2,30	22191116-09	1,20	22191116-12	3000K - 1800 lm - Ra 1b

Energy 2						
		CELLD-DIG (dali)		CELLD-DIG-E (dali)		Lamps (Ta=25°C)
wattage	colour	weight	code	weight	code	Kelvin - ølm - Ra
FLC-D/E 2x26	white	1,20	22191116-1241	2,30	22191116-9441	3000K - 1800 lm - Ra 1b

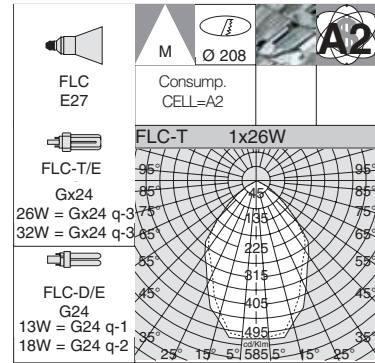
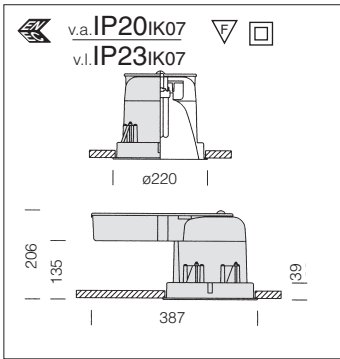




Reflector: made of white polycarbonate. Ideal for transition areas.

Energy 1 bis

		CELL		CELL-E		Lamps (Ta=25°C)
wattage	colour	weight	code	weight	code	Kelvin - ølm - Ra
FLC-D/E 1x18	white	0,60	22191028-08	1,70	22191028-09	3000K - 1200 lm - Ra 1b
FLC-D/E 2x13	white	0,80	22191023-08	1,90	22191023-09	3000K - 900 lm - Ra 1b

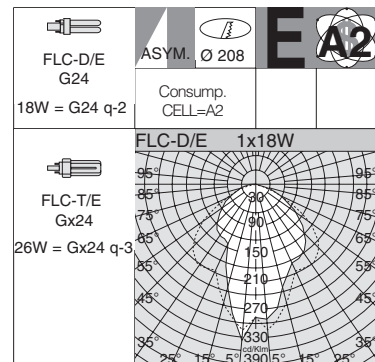
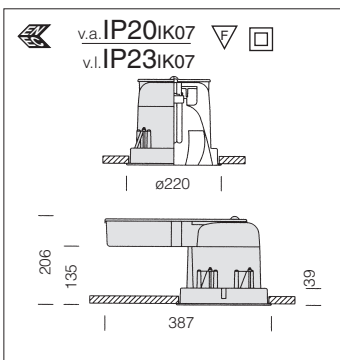


Reflector: Polycarbonate, metalized with high grade aluminium powders through a C.V.D. hard-vacuum process for greater light control and efficiency.

Energy 3								
		CN		CELL		CELL-E		Lamps (Ta=25°C)
wattage	colour	weight	code	weight	code	weight	code	Kelvin - ølm - Ra
FLC-EL Max23	white	1,30	22191213-00					
FLC-T/E 1x32	white			1,30	22191211-00			4000K - 2400 lm - Ra 1b
FLC-D/E 1x13	white			1,10	22191214-00			4000K - 900 lm - Ra 1b
FLC-D/E 1x18	white			1,10	22191215-00	2,20	22191215-09	4000K - 1200 lm - Ra 1b
FLC-T/E 1x26	white			1,20	22191216-00	2,30	22191216-09	4000K - 1800 lm - Ra 1b

Reflector special processing and lamp vertical positioning enables Energy to become dark light & low luminance.

Energy 3						
		CELL-D (1-10V)		CELLD-DIG (dali)		Lamps (Ta=25°C)
wattage	colour	weight	code	weight	code	Kelvin - ølm - Ra
FLC-T/E 1x26	white		22191216-12	1,20	22191216-1241	4000K - 1800 lm - Ra 1b



Reflector: Polycarbonate, metalized with high grade aluminium powders through a C.V.D. hard-vacuum process for greater light control and efficiency.

Energy 4 - wallwasher				
		CELL		Lamps (Ta=25°C)
wattage	colour	weight	code	Kelvin - ølm - Ra
FLC-D/E 1x18	white	1,30	22191318-08	4000K - 1200 lm - Ra 1b - q-2
FLC-T/E 1x26	white	1,30	22191319-08	4000K - 1800 lm - Ra 1b - q-3



FIXED RECESSED DOWNLIGHTS

UV

DIM

Energy 9 SAB with glass

Ø 158

E A2

FLC-D/E G24
13W = G24 q-1

Consump. CELL=A2

FLC-D/E 2x13 W

95° 85° 75° 65° 55° 45° 35° 25°

10° 20° 30° 40° 50° 60° 70° 80° 90° 100° 110° 120° 130° 140° 150°

187

200

157



v.a. IP20IK04
v.l. IP23IK04

113

118

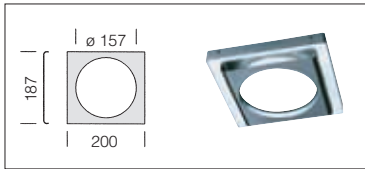
54

308

39

Diffuser: in frosted printed glass. Ideal for installation in passageways and halls

Energy 9 SAB with glass									
		CELL		CELL-E		CELL-D (1-10V)		Lamps (Ta=25°C)	
wattage	colour	weight	code	weight	code	weight	code	Kelvin - ølm - Ra	
FLC-D/E 1x13	aluminium	0,70	22190816-08	1,80	22190816-09	0,80	22190816-12	3000K - 900 lm - Ra 1b	
FLC-D/E 2x13	aluminium	0,70	22190814-08	1,80	22190814-09	0,80	22190814-12	3000K - 900 lm - Ra 1b	



Recess round-edge shooks

black 22091940-00

For installation on round-edge shooks:
2 pitch 100 shooks or 1 pitch 200 shooks. **For Energy 1/6/9**

UV

DIM

Energy 10 SAB with glass

Ø 208

E A2

FLC-D/E G24
26W = G24 q-3

Consump. CELL=A2

FLC-D/E 2x26W

95° 85° 75° 65° 55° 45° 35° 25°

10° 20° 30° 40° 50° 60° 70° 80° 90° 100° 110° 120° 130° 140° 150°

135

165

195

157



v.a. IP20IK04
v.l. IP23IK04

113

135

64

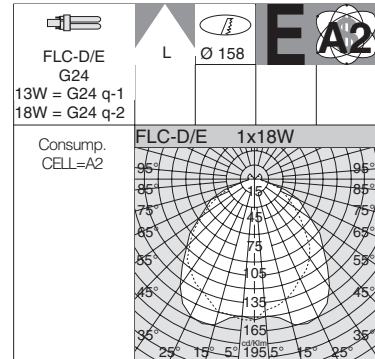
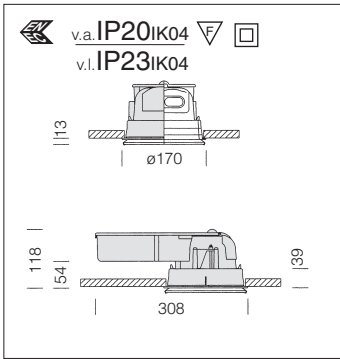
387

39

Diffuser: in frosted printed glass.

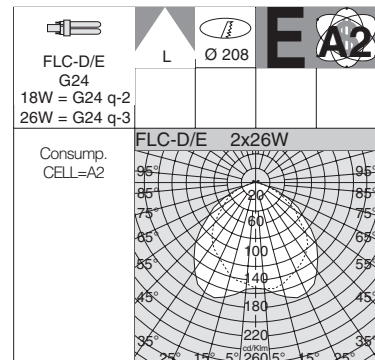
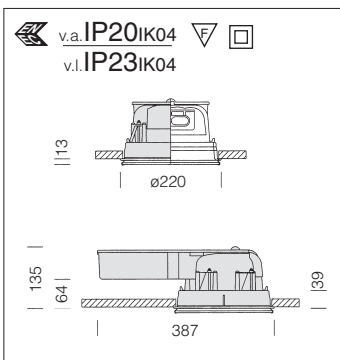
Energy 10 SAB with glass										
		CELL		CELL-E		CELL-D (1-10V)		CELLD-E (1-10V)		Lamps (Ta=25°C)
wattage	colour	weight	code	weight	code	weight	code	weight	code	Kelvin - ølm - Ra
FLC-D/E 2x18	aluminium	1,40	22190914-08	2,50	22190914-09	1,40	22190914-12			FLC-D/E 2x26: 3000K - 1800 lm - Ra 1b
FLC-D/E 2x26	aluminium	1,40	22190915-08	2,50	22190915-09	1,40	22190915-12	2,50	22190915-94	

Energy 10 SAB with glass						
		CELLD-DIG (dali)		CELLD-DIG-E (dali)		Lamps (Ta=25°C)
wattage	colour	weight	code	weight	code	Kelvin - ølm - Ra
FLC-D/E 2x26	aluminium	1,40	22190915-1241	2,50	22190915-9441	3000K - 1800 lm - Ra 1b



Diffuser: silk-screen finishing, with a concentric circle pattern to control glare and improve light transmission. Ideal for installation in shops and commercial centres.

Energy 9 with glass								
wattage	colour	CELL		CELL-E		CELL-D (1-10V)		Lamps (Ta=25°C)
		weight	code	weight	code	weight	code	Kelvin - ølm - Ra
FLC-D/E 1x18	aluminium	0,70	22190818-08	1,80	22190818-09	0,80	22190818-12	3000K - 1200 lm - Ra 1b
FLC-D/E 2x13	aluminium	0,80	22190813-08	1,90	22190813-09	0,90	22190813-12	3000K - 900 lm - Ra 1b



Diffuser: silk-screen finishing, with a concentric circle pattern to control glare and improve light transmission. Ideal for installation in shops and commercial centres.

Energy 10 with glass						
wattage	colour	CELL		CELL-E		Lamps (Ta=25°C)
		weight	code	weight	code	Kelvin - ølm - Ra
FLC-D/E 2x26	aluminium	1,40	22190916-08	2,50	22190916-09	3000K - 1800 lm - Ra 1b
FLC-D/E 2x18	aluminium	1,40	22190919-08	2,50	22190919-09	3000K - 1200 lm - Ra 1b

Energy 10 with glass								
wattage	colour	CELL-D (1-10V)		CELLD-E (1-10V)		CELLD-DIG (dali)		Lamps (Ta=25°C)
		weight	code	weight	code	weight	code	Kelvin - ølm - Ra
FLC-D/E 2x26	aluminium	1,40	22190916-12	2,50	22190916-94	1,40	22190916-1241	3000K - 1800 lm - Ra 1b

