

LED: supplied with 1,5W white LED, mains voltage operation 220/240V 50-60Hz.

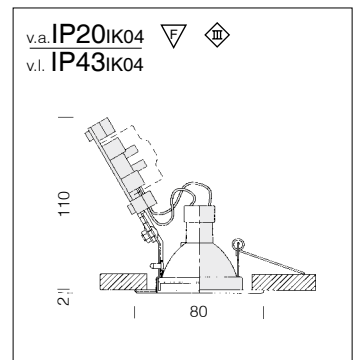
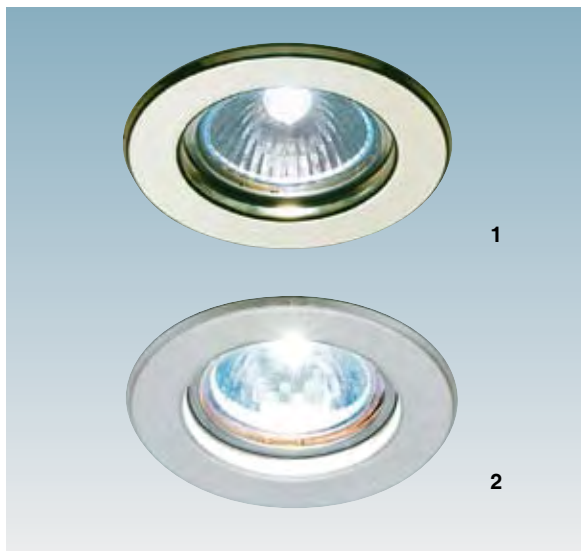
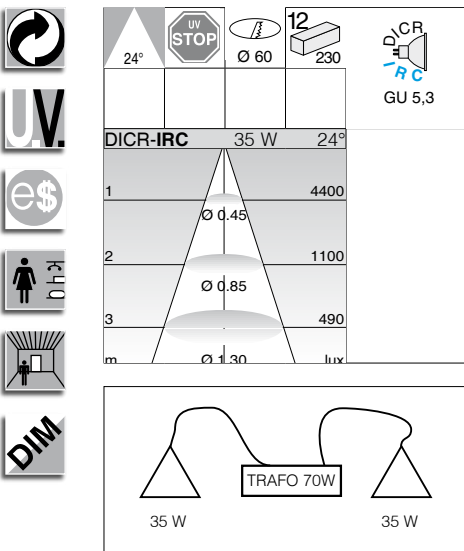
MASTERLED 3W

Deimos MASTERLED - 230/240V fig. 1				
		CLD CELL		LED (Ta=25°C)
wattage 230V	colour	weight	code	Kelvin - cd - beam
MASTERLED 3W	white	0,20	220 63512 -00	3000K - 550cd - 25°
MASTERLED 3W	black	0,20	220 63532 -00	
MASTERLED 3W	m. silver	0,20	220 63570 -00	
MASTERLED 3W	chrome	0,20	220 63561 -00	
MASTERLED 3W	brass	0,20	220 63591 -00	



	W	I max	duration
ALU 35W	35-20°	250cd	2000h
MasterLED	3-25°	230cd	45000h

Deimos LED - 230V fig. 2				
		CLD CELL		LED (Ta=25°C)
wattage	colour	weight	code	Kelvin - ølm - beam
LED white 1,5W	white	0,20	220 63510 -00	3000K - 51 lm - 30°
LED white 1,5W	black	0,20	220 63531 -00	
LED white 1,5W	m. silver	0,20	220 63575 -00	
LED white 1,5W	chrome	0,20	220 63562 -00	
LED white 1,5W	brass	0,20	220 63593 -00	



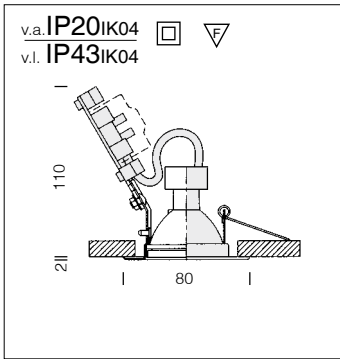
Deimos 12 volt (Fig. 1)				
		S+L		Lamps (Ta=25°C)
wattage	colour	weight	code	Kelvin - ølm - Ra
DICR-IRC 35	white	0,10	220 64016 -00	3000K - 5000h . 4400cd
DICR-IRC 35	black	0,10	220 64036 -00	
DICR-IRC 35	m. silver	0,10	220 64070 -00	
DICR-IRC 35	chrome	0,10	220 64066 -00	
DICR-IRC 35	brass	0,10	220 64096 -00	

Equipped with lamp and lampholder, CODE 22090818-00. Use one transformer, 70W, for 2 spotlights. Light output: +30%. Lasts longer.

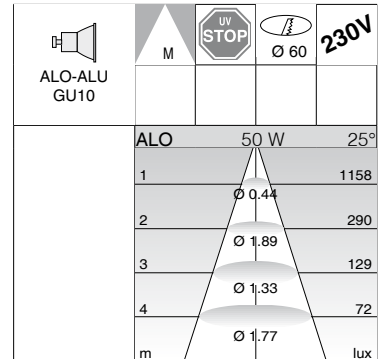
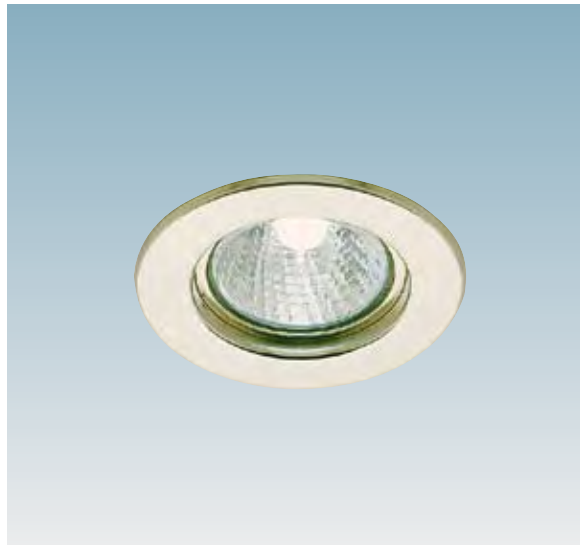
Deimos with lamp+glass (Fig. 2)						
		S+L		S+L+T DIMM		Lamps (Ta=25°C)
wattage	colour	weight	code	weight	code	Kelvin - ølm - Ra
DICR 50	white	0,10	220 63919 -00	0,20	220 63918 -00	3000 K - 3000h -1800cd
DICR 50	black	0,10	220 63939 -00			
DICR 50	m. silver	0,10	220 63979 -00	0,20	220 63978 -00	
DICR 50	chrome	0,10	220 63969 -00			
DICR 50	brass	0,10	220 63998 -00			

S+L
Equipped with lamp and glass. Packed in separate bags, 10 piece box

S+L+T DIMM
Equipped with lamp and glass and dimmable transformer. Packed in separate bags, 5 piece boxes.



Lamps: Supply with ALO 230V hot colour.



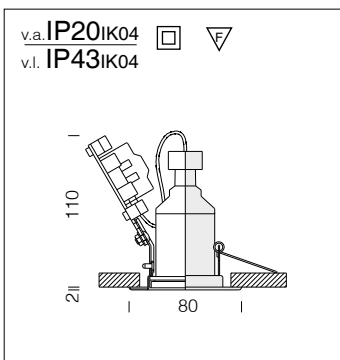
ECOHALO 35



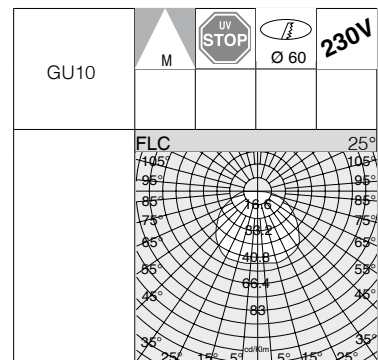
Deimos 230V				
		S+L		Lamps (Ta=25°C)
wattage	colour	weight	code	Kelvin - ølm - Ra
ALO 50	white	0,20	22064018-00	2900K - 2000 h 950 lm
ALO 50	black	0,20	22064038-00	
ALO 50	m. silver	0,20	22064078-00	
ALO 50	chrome	0,20	22064068-00	
ALO 50	brass	0,20	22064098-00	

Complete with 230V lamps, mains voltage operation without transformer.

Deimos 230V ECO				
		S+L		Lamps (Ta=25°C)
wattage	colour	weight	code	Kelvin - cd - degrees
EcoHALO 35	white	0,20	22064013-00	2900K - 350cd - 50°
EcoHALO 35	m. silver	0,20	22064073-00	



Ideal for small rooms and waiting areas.
Energy efficiency. Working life: 8.000 hours (lamps FL 9-11W).



MASTERLED 7W



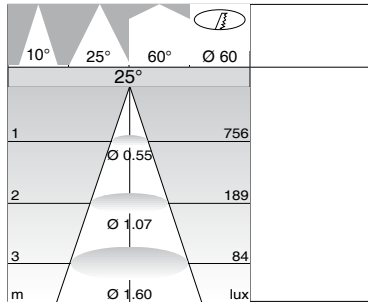
Deimos fluorescent 230 V fig. 1				
		S+L		Lamps (Ta=25°C)
wattage	colour	weight	code	Kelvin - cd - Ra
FLC 9W	white	0,20	22064011-00	3000K - 96cd
FLC 9W	m. silver	0,20	22064071-00	
FLC 11W	white	0,20	22064012-00	3000K - 110cd
FLC 11W	m. silver	0,20	22064072-00	

Complete with 230V lamps, mains voltage operation without transformer.

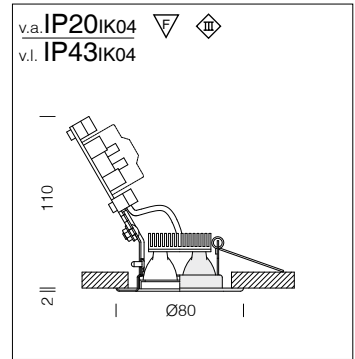
	W	I max	duration
ALU 35W	35-40°	250cd	2000h
MasterLED	7-40°	230cd	45000h

Deimos MASTERLED 7W 230V fig.2				
		CLD CELL		Lamps (Ta=25°C)
wattage	colour	weight	code	Kelvin - ølm - beam
MASTERLED 7W	white	0,20	22064015-00	2700 K - 230cd - 40°
MASTERLED 7W	m.silver	0,20	22064074-00	
MASTERLED 7W	black	0,20	22064032-00	
MASTERLED 7W	chrome	0,20	22064065-00	

Lamps 7W = alo 50W dimm.



Power led with triple monochrome lens: circular LED module with integrated lens. Use is recommended for decorative architectural lighting, accent lighting in stores and shop windows, etc., outdoor and indoor directional lights (corridors, hallways, façades, etc.).



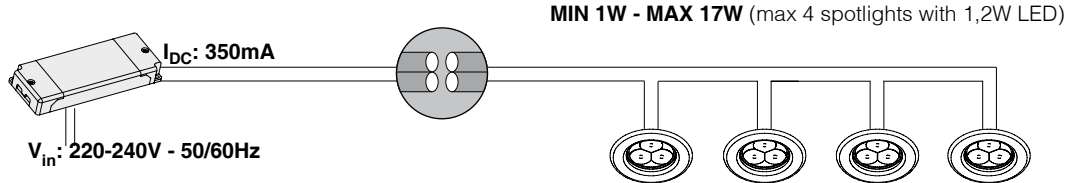
Housing: in sheet-steel, with springs for false ceilings, max 25mm.
LED: Equipped with triple LED module, 1.2 each.

Deimos Power LED 3000 K												
wattage/W (350mA)	colour	weight	CLD S+L	LED(Ta=25°C)	CLD S+L	LED (Ta=25°C)	CLD S+L	LED(Ta=25°C)	LED (Ta=25°C)			
			code	degrees	code	degrees	code	degrees	W tot.	K	ølm 350mA	ølm 500mA
LED whi 3x1,2W	white	0,30	22063514-00	10°	22063914-00	25°	22063515-00	60°	3,5	3000	231	335
LED whi 3x1,2W	black	0,30	22063534-00	10°	22063936-00	25°	22063535-00	60°	3,5	3000	231	335
LED whi 3x1,2W	chrome	0,30	22063564-00	10°	22063963-00	25°	22063565-00	60°	3,5	3000	231	335
LED whi 3x1,2W	m. silver	0,30	22063574-00	10°	22063974-00	25°	22063572-00	60°	3,5	3000	231	335
LED whi 3x1,2W	brass	0,30	22063594-00	10°	22063991-00	25°	22063592-00	60°	3,5	3000	231	335

Deimos Power LED 4000 K												
wattage/W (350mA)	colour	weight	CLD S+L	LED(Ta=25°C)	CLD S+L	LED (Ta=25°C)	CLD S+L	LED(Ta=25°C)	LED (Ta=25°C)			
			code	degrees	code	degrees	code	degrees	W tot.	K	ølm 350mA	ølm 500mA
LED whi 3x1,2W	white	0,30	22063516-00	10°	22063912-00	25°	22063517-00	60°	3,5	4000	300	435
LED whi 3x1,2W	black	0,30	22063536-00	10°	22063933-00	25°	22063537-00	60°	3,5	4000	300	435
LED whi 3x1,2W	chrome	0,30	22063566-00	10°	22063962-00	25°	22063567-00	60°	3,5	4000	300	435
LED whi 3x1,2W	m. silver	0,30	22063576-00	10°	22063975-00	25°	22063577-00	60°	3,5	4000	300	435
LED whi 3x1,2W	brass	0,30	22063596-00	10°	22063994-00	25°	22063597-00	60°	3,5	4000	300	435

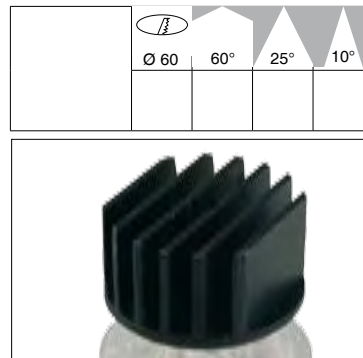
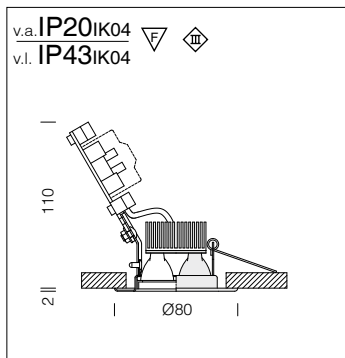
Deimos Power LED 6000 K												
wattage/W (350mA)	colour	weight	CLD S+L	LED(Ta=25°C)	CLD S+L	LED (Ta=25°C)	CLD S+L	LED(Ta=25°C)	LED (Ta=25°C)			
			code	degrees	code	degrees	code	degrees	W tot.	K	ølm 350mA	ølm 500mA
LED whi 3x1,2W	white	0,30	22063518-00	10°	22063910-00	25°	22063519-00	60°	3,5	6000	321	466
LED whi 3x1,2W	black	0,30	22063538-00	10°	22063930-00	25°	22063539-00	60°	3,5	6000	321	466
LED whi 3x1,2W	chrome	0,30	22063568-00	10°	22063960-00	25°	22063569-00	60°	3,5	6000	321	466
LED whi 3x1,2W	m. silver	0,30	22063578-00	10°	22063970-00	25°	22063579-00	60°	3,5	6000	321	466
LED whi 3x1,2W	brass	0,30	22063598-00	10°	22063990-00	25°	22063599-00	60°	3,5	6000	321	466

To power POWER LED white 3x1,2W - 350mA in series (max 4 spotlights) utilize LED power supply code 22090837-00.
 To power POWER LED white 3x2W - 500mA in series (max 2 spotlights) utilize LED power supply code 22090890-00.



MIN 1W - MAX 17W (max 4 spotlights with 1,2W LED)

CODE	VOLTAGE	CURRENT I _{DC}	n. min. no. spotlights	max no. spotlights	W
22090837-00	220-240V 50/60Hz	350mA	1	4	17
22090837-12	DIMMABLE 1-10V	350mA		4	15
22090890-00	220-240V 50/60Hz 6-26V	500mA	1	2	16,8

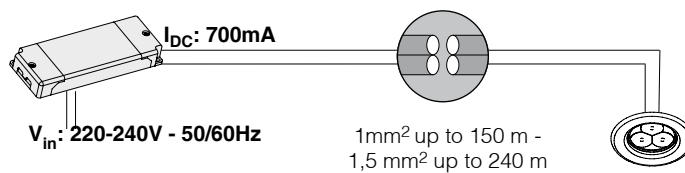


Deimos Power LED 3000 K											
wattage/W (700mA)	colour	weight	CLD S+L	LED(Ta=25°C)	CLD S+L	LED(Ta=25°C)	CLD S+L	LED(Ta=25°C)	W tot.	K	ølm 700mA
			code	degrees	code	degrees	code	degrees			
LED white 3x3W	white	0,30	22063513-00	10°	22063913-00	25°	22063911-00	60°	9	3000	411
LED white 3x3W	black	0,30	22063533-00	10°	22063931-00	25°	22063938-00	60°	9	3000	411
LED white 3x3W	chrome	0,30	22063563-00	10°	22063966-00	25°	22063961-00	60°	9	3000	411
LED white 3x3W	m. silver	0,30	22063573-00	10°	22063971-00	25°	22063976-00	60°	9	3000	411
LED white 3x3W	brass	0,30	22063595-00	10°	22063993-00	25°	22063996-00	60°	9	3000	411

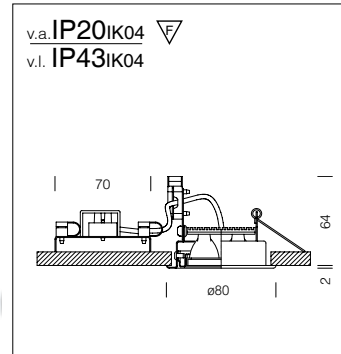
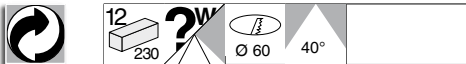
POWER LED CONNECTIONS

To use with spotlights 3x3W
cod. 22090835-00 (1 per spotlight).

N.B: Observe the connec. in series



CODE	VOLTAGE	CURRENT I _{DC}	n. min. no. spotlights	max no. spotlights	W
22090835-00	220-240V 50/60Hz	700mA	1	1	9
22090834-00	DIMMABLE 1-10V	700mA	1	2	18



Power led triple lens RGB:
Round LED module consisting of LED lights with in-built lens.

The purity of the light emitted is the main feature of these LED lights; particularly suitable for detail-enhancing and decorative lighting and for the creation of luminous colour effects.

LED with three built-in lenses and three LED lights, 4W, 350mA (red, green, blue).

All three LED lights emit white light when switched on together. Different colours can be obtained by regulating the power supply of each single LED. Working temperature: -30°C to 50°C.

Deimos FULLCOLOR Power LED RGB						
		CLD S+L		LED (Ta=25°C)		
wattage (350mA)	colour	weight	code	W tot.	ølm 350mA	Degrees
LED RGB 3x4W	white	0,20	22063916-00	12	R 84 - G 144 - B 36	40°
LED RGB 3x4W	black	0,20	22063932-00	12		
LED RGB 3x4W	m. silver	0,20	22063973-00	12		
LED RGB 3x4W	chrome	0,20	22063964-00	12		
LED RGB 3x4W	brass	0,20	22063992-00	12		

Use Master code 22090870-00, to power up to 3 FULLCOLOR RGB.
To supply other 3 FULLCOLOR RGB in sync with MASTER, acquire SLAVE cod 22090871-00.
Remote control code 22099020-00 is supplied separately.
Possibility of DMX System CODE 22090876-00.

Connections and accessories

High efficiency d.c. power generator, with reduced weight and size. 350mA is the direct current output of high-Power LEDs, according to the type of use.

Professional three-channel LED RGB colour control module, separate dimmable function available for each channel with IR remote control. Three colour changing programmes can be selected using a special button. The colour/programme selected is stored in the memory when the luminaire is switched off, also in case of a power cut. Loading of the colour changing programme. ON/OFF button, also operates with a synchronized MASTER and SLAVE system.



POWER LED RGB CONNECTIONS

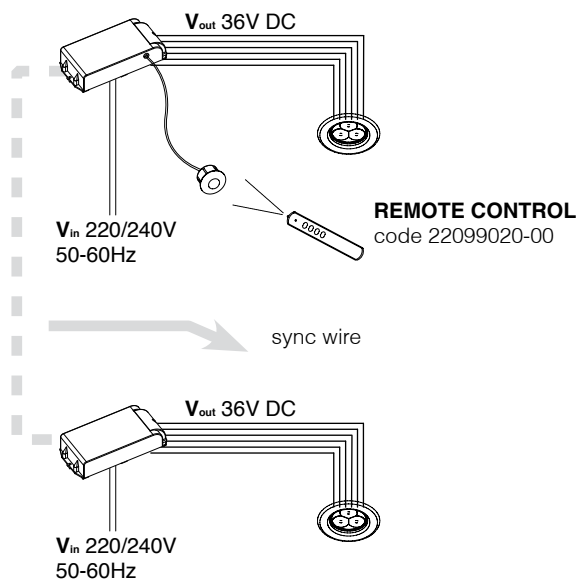
BASE SYSTEM

CODE 22090870-00
Master + IRE Receiver

Three-channel professional colour control module for LED RGB. Dimmable option supplied separately with IRE remote control (code 22099020-00).

CODE 22090871-00
Slave

A SLAVE be purchased to use 3 more spotlights in sync with the MASTER, (code 22090871-00). Can be operated using 1 MASTER and 99 SLAVES.



1mm² up to 150 m -
1,5 mm² up to 240 m

N.B: Must maintain sequence connection. Minimum load 4W/channel (max 3 FULLCOLOR triple lenses)

1mm² up to 150 m -
1,5 mm² up to 240 m

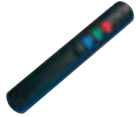
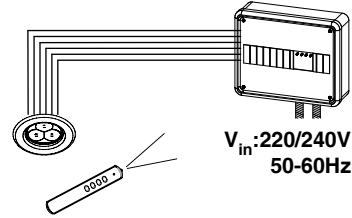
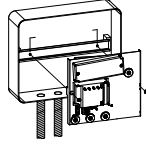
FOR THE FOLLOWING INFORMATION AND RGB CONNECTIONS SEE PAGE 340-341

POWER LED RGB CONNECTIONS

KIT1 CODE 22090872-00

1 Master, IRE Receiver and a terminal block for the network connection

Supplied with 1 pre-wired plate to be inserted in the IP65 box to power 3 LED RGB lights in sync (ex. art. M45). The IRE remote control purchased separately (code 22099020-00).

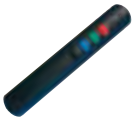
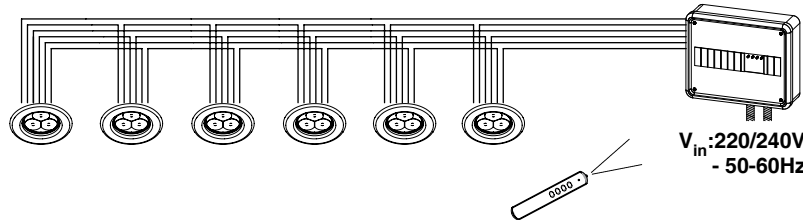
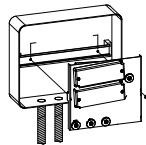


REMOTE CONTROL
(cod. 22099020-00)

KIT2 COD. 22090873-00

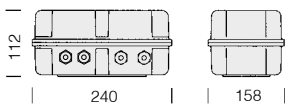
1 Master, 1 Slave
1 ricevitore IRE
e una morsettiera
per il collegamento alla rete

Supplied with 1 pre-wired plate to be inserted in the IP65 box to power 6 LED RGB lights in sync (ex. art. M45). The IRE remote control purchased separately (code. 22099020-00).



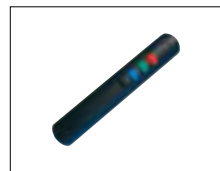
REMOTE CONTROL
(cod. 22099020-00)

IP65IK07



KIT 3 bis - Waterproof gear box with LED RGB power supply and DMX interface

wattage/W	colour	code
60	black	22092051-00
IP65 box with 48V 60W power supply for RGB Power LED - max 12 LEDs. Supplied with electronic card and controller / DMX interface, four cable glands, 9/12 mm diameter. After acc. 22092051-00 n. 20, use acc. code 22092052-00.		



REMOTE CONTROL code Fosnova

22099020-00
For on/off switching and to regulate colour change programs.