



Housing: die-cast aluminium, powder painted using acrylic resin based paint resistant to UV rays. Wall-mounted versions with diffuser positionable at 350°.

Diffuser: shockproof, pressed crystal glass. Coloured versions with sand blasted and liquid painted crystal using paints that withstand high temperatures.

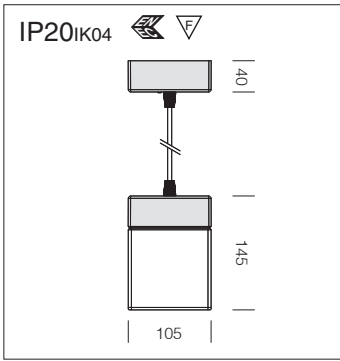
Equipment: fitting supplied without lamps.

Wiring: using Teflon wires resistant to high temperatures; network connecting terminals with maximum permitted cross-section of the conductors of 2,5 mm².

Standards: products compliant with applicable CEI 34-21, CEI EN 60598-1, CEI EN 60598-2-1 and CEI EN 60598-2-2 standards.

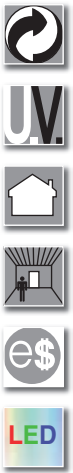
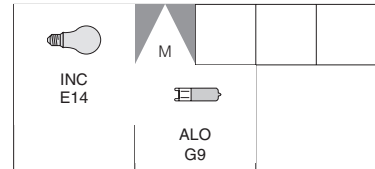
On request: Available in the following colours: Aqua marine, Amber, Light blue, Yellow, Pink, Green, Blue, Black, Grey.





Maximum cable length: 1000mm

Available upon request with painted glass on the inside. Anti-glare, designed to enhance the thickness of glass.



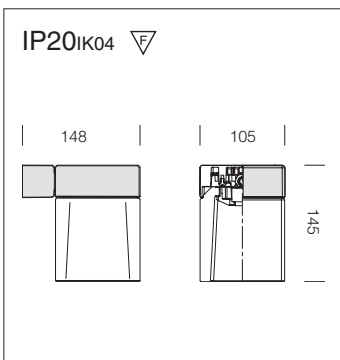
Cubic suspension			
		S	
wattage	colour	weight	code
INC 60	white + silver	2,20	22060412-00
ALO 60	white + silver	2,20	22060413-00

Coloured versions are available on request.

On request: FLC14EL= 60W incandescent

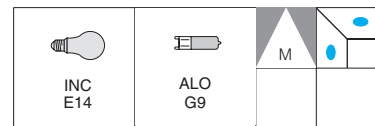


Cubic suspension MASTERLED					
		CLD CELL		LED (Ta=25°C)	
wattage/W 350mA	colour	weight	code	W tot.	K - cd - degrees
MASTERLED 3W	blanc + arg.	2,20	22060416-00	3	3000K - 550cd - 25°

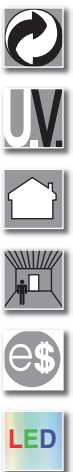


Coloured versions are available on request. LED versions are ideal to create space light and luminous effects in modern surroundings.

Coloured versions are available on request and 3000K LED



MASTERLED 3W



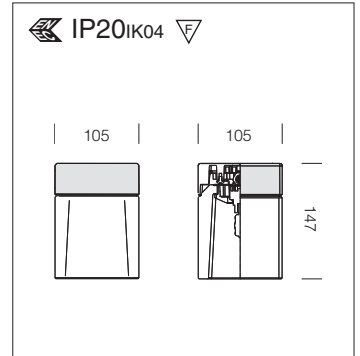
Cubic wall mounted			
		S	
wattage/W	color	weight	code
ALO 60	white + silver	2,20	22060210-00
INC 60	white + silver	2,20	22060211-00

	W	I max	duration
ALU 35W	35-20°	500cd	2000h
MasterLED	3-25°	550cd	25000h

Cubic wall mounted MASTERLED					
		CLD CELL		LED (Ta=25°C)	
wattage/W 350mA	colour	weight	code	W tot.	K - cd - degrees
MASTERLED 3W	white + silver	2,20	22060213-00	3	3000K - 550cd - 25°



Coloured versions available upon request, ideal for the hotel sector.



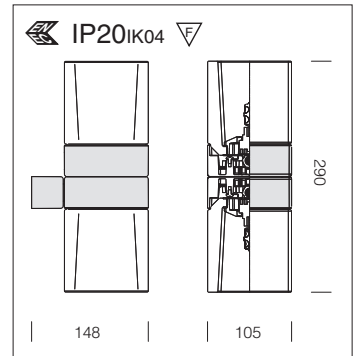
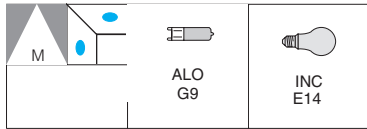
MASTERLED 3W



Cubic ceiling version			
		S	
wattage	colour	weight	code
ALO 60	white + silver	2,00	22060114-00
INC 60	white + silver	2,00	22060115-00

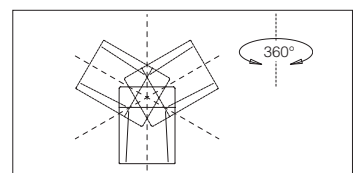
	W	I max	duration
ALU 35W	35-20°	500cd	2000h
MasterLED	3-25°	550cd	25000h

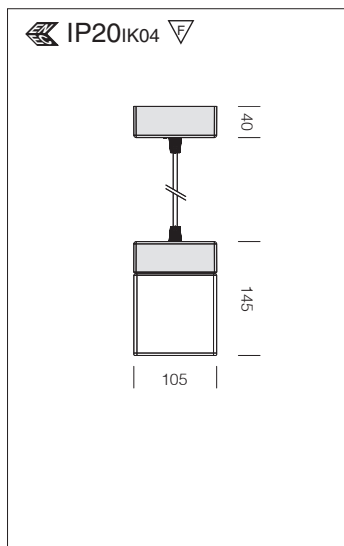
Cubic ceiling version MASTERLED				
		CLD CTL		LED (Ta=25°C)
wattage/W 350mA	colour	weight	code	W tot.
MASTERLED 3W	white + silver	2,00	22060112-00	3
				K - cd - degrees
				3000K - 550cd - 25°



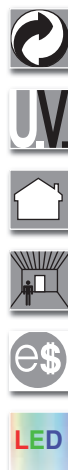
Thick glass: available upon request, grey and black internal coating, or coloured versions.

Cubic light direct-indirect			
		S	
wattage/W	color	weight	codice
INC 2x40	white + arg.	4,20	22060311-00
ALO 2x60	white + arg.	4,20	22060312-00





Maximum cable length: 1000mm



Cubic suspension			
		S	
wattage	colour	weight	code
INC 60	grey + silver	2,20	22060473-00
ALO 50	grey + silver	2,20	22060476-00

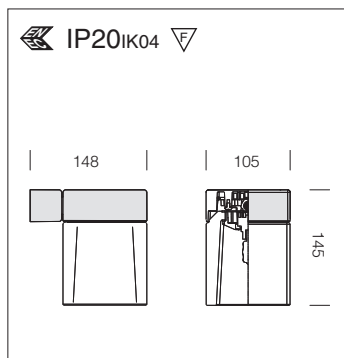
Coloured versions are available on request.

MASTERLED 3W

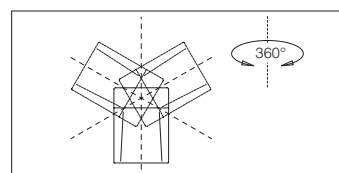


	W	I max	duration
ALU 35W	35-20°	500cd	2000h
MasterLED	3-25°	550cd	25000h

Cubic suspension MASTERLED					
			CLD CELL		LED (Ta=25°C)
wattage/W 350mA	colour	weight	code	W tot.	K - cd - degrees
MASTERLED 3W	grey + silver	2,30	22060471-00	3	3000K - 550cd - 25°



Option to rotate the housing.



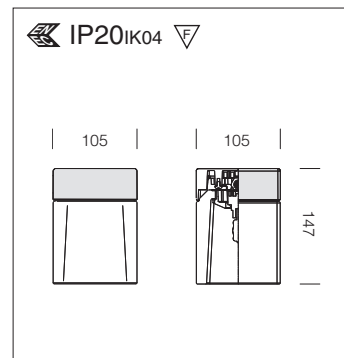
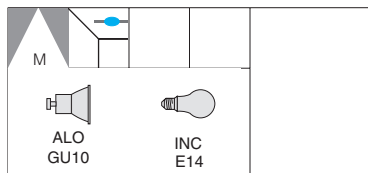
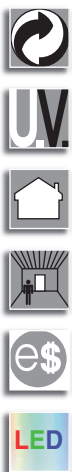
MASTERLED 3W



Cubic wall mounted			
		S	
wattage/W	colour	weight	code
ALO 50	grey + silver	2,20	22060270-00
INC 60	grey + silver	2,20	22060273-00

	W	I max	duration
ALU 35W	35-20°	500cd	2000h
MasterLED	3-25°	550cd	25000h

Cubic wall MASTERLED					
			CLD CELL		LED (Ta=25°C)
wattage/W 350mA	colour	weight	code	W tot.	K - cd - degrees
MASTERLED 3W	gris + arg.	2,30	22060274-00	3	3000K - 550cd - 25°



MASTERLED 3W



	W	l max	duration
ALU 35W	35-20°	500cd	2000h
MasterLED	3-25°	550cd	25000h

Cubic ceiling version			
		S	
wattage	colour	weight	code
ALO 50	grey + silver	2,00	22060171-00
INC 60	grey + silver	2,00	22060174-00

Cubic ceiling version MASTERLED					
			CLD CTL		LED (Ta=25°C)
wattage/W 350mA	colour	weight	code	W tot.	K cd - degrees
MASTERLED 3W	grey + silver	2,00	22060175-00	3	3000 - 550cd - 25°

