

Series of recessed adjustable angle floodlights. Designed to address the growing need for lighting solutions in shopping centres and shop windows, where the luminous flux has to be directed according to the products displayed.

Corner "T-W"				
		S+L		Lamps (Ta=25°C)
wattage	colour	weight	code	Kelvin - ølm - Ra
CDM-T 35	white	0,70	22087217-00	3000K - 3300 lm - Ra 1b
CDM-T 35	m. silver	0,70	22087272-00	
CDM-T 70	white	0,70	22087218-00	3000K - 6600 lm - Ra 1b
CDM-T 70	m. silver	0,70	22087271-00	
CDM-T 150	white	0,70	22087516-00	3000K - 14000 lm - Ra 1b
CDM-T 150	m. silver	0,70	22087571-00	
ALO 100	white	0,70	22087212-00	2900K - 100 cd

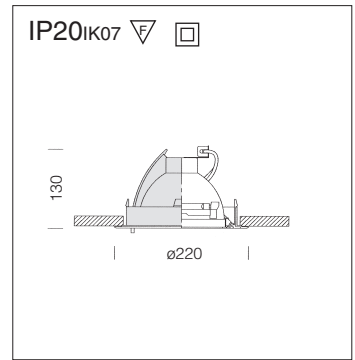
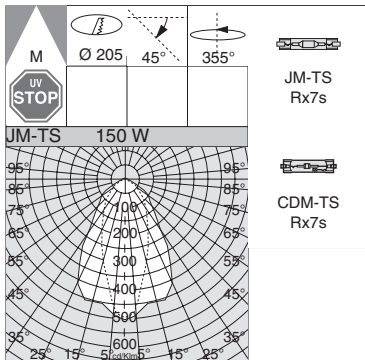
For version CDM-T to use with box code 22092001-00, 22092011-00, 22092021-00.
W.SON 100W version on request.

Housing: High-temperature resistant pressed techno-polymer. Ral RAL 9003.

Reflector: High-efficiency polished stainless steel anodised aluminium.

Diffuser: Tempered glass protective shield.

Electric gear: 230V/50Hz power supply. Flexible wire terminated with admiralty brass clamps, silicone insulation with fibreglass braid; cross section: 1.5 mm². 2P+T terminal block (with plug-socket connector).

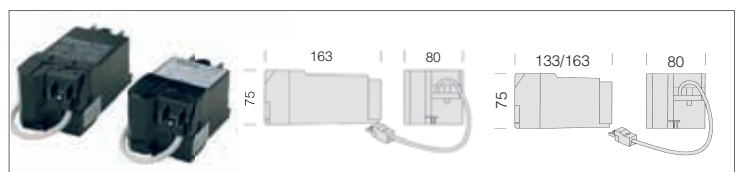


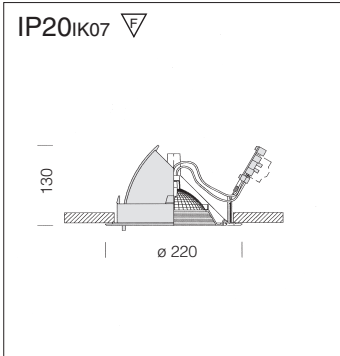
*Special version, class I (used prescribed lamp only).
To use with box code 22092001-00, 22092011-00, 22092021-00.

Corner "TS"				
		S+L		Lamps (Ta=25°C)
wattage	colour	weight	code	Kelvin - ølm - Ra
JM-TS 70 EXC	white	0,80	22087415-00	3000K - 6000 lm - Ra 2a
JM-TS* 150 EXC	white	0,80	22087614-00	3000K - 12000 lm - Ra 2a
CDM-TS 70	white	0,80	22087415-85	3000K - 6600 lm - Ra 1b
CDM-TS* 150	white	0,80	22087614-85	3000K - 13250 lm - Ra 1b

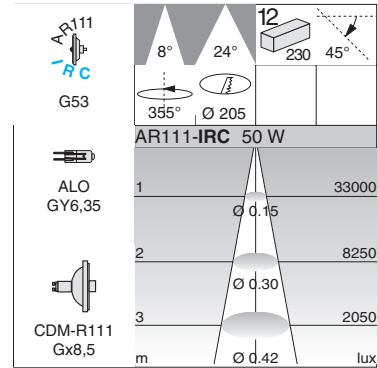
Box				
		CNR		
wattage	colour	weight	code	
JM/CDM 35	black	1.40	22092001-00	
JM/CDM 70	black	1.60	22092011-00	
JM/CDM 150	black	2.30	22092021-00	

Thermoplastic box V0. Tc ≤ 95°C when it normally works in normal operation.





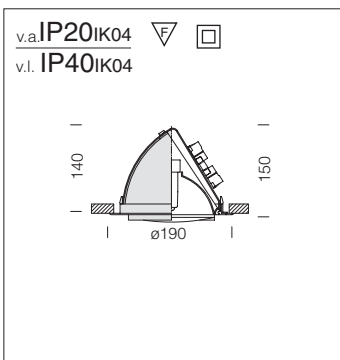
Complete with AR111 anti-glare shielded halogen lamp. Transformer required. 22090826-00, 22090836-00, 22090847-00



Corner						
		S+L		CELL		Lamps (Ta=25°C)
wattage	colour	weight	code	weight	code	Kelvin - ølm - Ra
AR111-IRC 50	white	0,40	22087111-00			3000K - 4000h - 5800 cd - 8°
ALO 90 ECO	white	0,40	22087319-00			3000K - 1650lm - 4000h
CDM-R111 35	white			0,80	22087412-00	3000K - 1350 lm - Ra 1b - 24°
CDM-R111 70	white			0,80	22087413-00	3000K - 2850 lm - Ra 1b - 24°

standard	Energy Saver (ECO)
20W	14W ECO
35W	25W ECO
50W	35W ECO
75W	50W ECO
90W	60W ECO

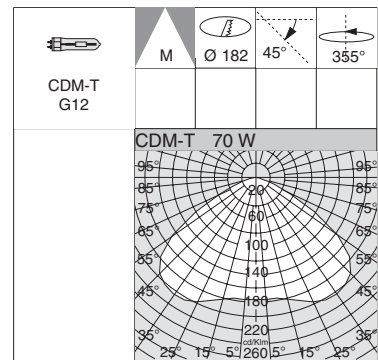
Reg. 244/2009/CE



Housing: Adjustable angle, made of die-cast aluminium. RAL 9010.

Reflector: High-efficiency aluminium.

Diffuser: Tempered glass protective shield.



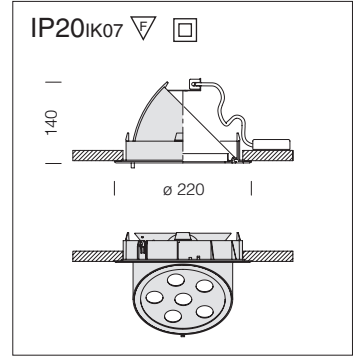
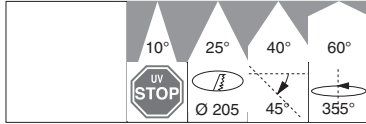
art. ETA pag. 316



Printed glass
22005486-00

Luthor						
		S+L		Lamps (Ta=25°C)		
wattage	colour	weight	code	Kelvin - ølm - Ra		
CDM-T 20	white	1,20	22087813-00	3000K - 1650lm - Ra 8		
CDM-T 20	m. silver	1,20	22087873-00			
CDM-T 35	white	1,20	22087812-00	3000K - 3300 lm - Ra 1b		
CDM-T 35	m. silver	1,20	22087872-00			
CDM-T 70	white	1,20	22087810-00	3000K - 6600 lm - Ra 1b		
CDM-T 70	m. silver	1,20	22087870-00			

To use with box cod. 22092001-00, 22092011-00. For 150W version, see art. ETA page 312.

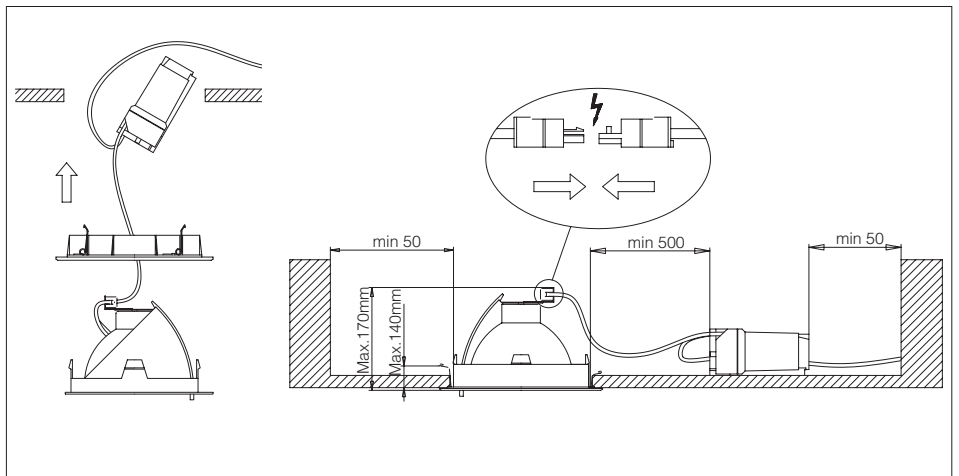


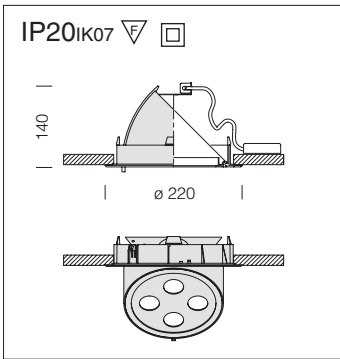
LED: high efficiency Esealed type, with heat sink, longer working life, Ra 80 index.

Corner ESALED					
		CLD CELL		LED (Ta=25°C)	
wattage/W 700mA	color	weight	code	W tot.	K - ølm (700mA) - gradi
ESALED	white	1,00	22087714-00	16,8	3000 K - 890 lm - 10°
ESALED	white	1,00	22087710-00		4000 K - 1020 lm - 10°
ESALED	white	1,00	22087715-00		3000 K - 890 lm - 25°
ESALED	white	1,00	22087711-00	16,8	4000 K - 1020 lm - 25°
ESALED	white	1,00	22087716-00		3000 K - 890 lm - 40°
ESALED	white	1,00	22087712-00	16,8	4000 K - 1020 lm - 40°
ESALED	white	1,00	22087717-00		3000 K - 890 lm - 60°
ESALED	white	1,00	22087713-00		4000 K - 1020 lm - 60°

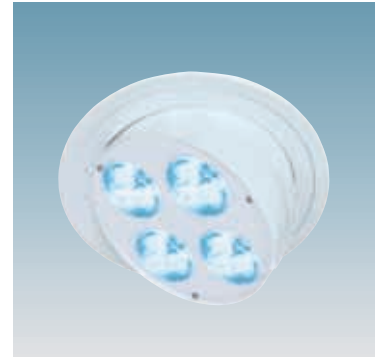
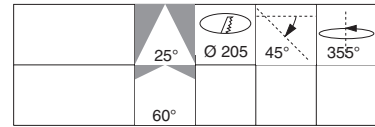
POWER LED CONNECTIONS

Equiped with power supply





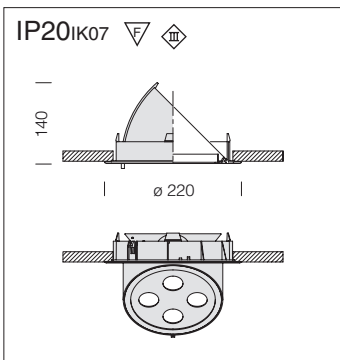
Completed with 4 modules of three LED, powered 3,5W each.



Corner POWER LED 3000K					
		CLD CELL		LED (Ta=25°C)	
wattage/W 350mA	color	weight	code	W tot.	K - ølm (350 mA) - degrees
LED white 4x3,5W	white	0,70	22087613-00	14	3000 K - 242lm - 25°
LED white 4x3,5W	white	0,70	22087619-00	14	3000 K - 242lm - 60°

Corner POWER LED 4000K					
		CLD CELL		LED (Ta=25°C)	
wattage/W 350mA	color	weight	code	W tot.	K - ølm (350 mA) - degrees
LED white 4x3,5W	white	0,70	22087611-00	14	4000 K - 282lm - 25°
LED white 4x3,5W	white	0,70	22087617-00	14	4000 K - 282lm - 60°

Corner POWER LED 6000K					
		CLD CELL		LED (Ta=25°C)	
wattage/W 350mA	color	weight	code	W tot.	K - ølm (350 mA) - degrees
LED white 4x3,5W	white	0,70	22087612-00	14	6000 K - 321lm - 25°
LED white 4x3,5W	white	0,70	22087610-00	14	6000 K - 321lm - 60°



Completed with POWER LED RGB. Use power supply code 22090870-00, to power up to 2 RGB spotlights. To supply other 2 spotlights RGB in sync with MASTER, acquire SLAVE cod 22090871-00.

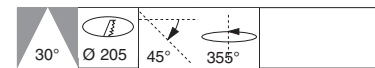
In case of installation in a control board, the following are supplied separately:

- KIT1, code 22090872-00, powers up to 1 spotlight in synchronised mode;

- KIT2, code 22090873-00, powers up to 2 spotlights in synchronised mode.

For 22098070/71-00 and KIT1-2 Remote control code 22099020-00 is supplied separately.

Otherwise acquire PLUS MASTER/SLAVE System code 22090875-00; For PLUS System Remote control code 99020 is supplied separately. Possibility of DMX System cod. 22090876-00.



Corner - POWER LED RGB					
		CLD S+L		LED (Ta=25°C)	
wattage	colour	weight	code	Kelvin - ølm - Ra	
LED RGB 4x4W	white	0,80	22087618-00	R=28lm - G=48lm - B=12lm	

Power supply LED	
220-240V 17W 350mA	22090837-00
Connections in series.	

